



Quality Access Doors- FAST!

# SUBMITTAL/TECHNICAL DATA SHEET

## APPLICATION

Indoor or Outdoor applications where dirt and water are prevented from falling into work area. Drainage is provided through threaded coupling in channel

## FEATURES

- Channel frame construction with 1 1/2" drainage coupling and integral anchor flange is designed to be cast into concrete
- Diamond plate door panel is equipped with a flush aluminum drop handle and an automatic hold open arm

## SPECIFICATIONS

**MATERIAL:** Aluminum door and frame; stainless steel hinges and hardware

**DOOR:** 1/4" aluminum diamond plate reinforced for live load of 300 lb/sq. ft.

**FRAME:** Angle frame from aluminum extrusion with an integral 1" anchor flange

**HINGE:** Stainless steel butt hinges with tamperproof stainless steel bolts and nuts

**OPENING DEVICE:** Automatic hold open arm with red vinyl grip allows door panel to open to 90 degrees, locking door in open position, and allowing for easy control when closing door panel. When required, stainless steel compression springs can be provided to add lift assistance. Available with electrical actuators, operated by wall mounted push button switch, and remote control

**STANDARD LATCH:** Flush aluminum drop handle with staple for padlock. Also available: Recessed padlock provision: st/stl Slamlock

**FINISH:** Mill finish, with optional bituminous coating on exterior of frame

SKU: **BAG-WTFD**

**WATERTIGHT FLOOR HATCH**

CAST IN PLACE 300LB/SQFT

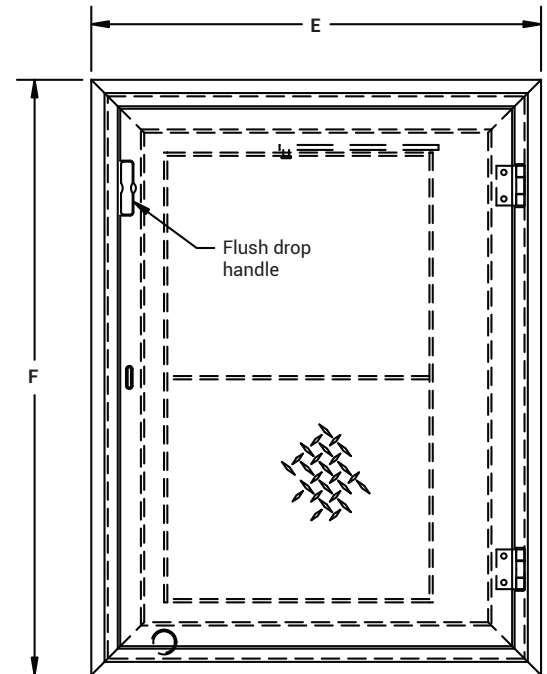
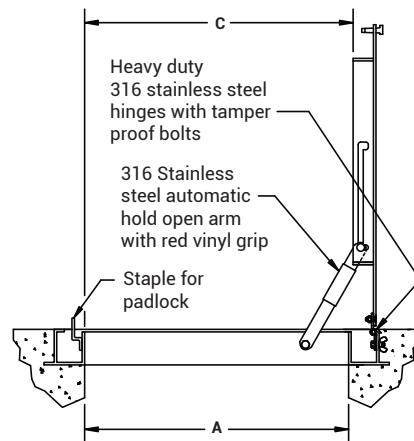


## DIMENSIONS AND APPEARANCE

>> CLICK TO VIEW ADDITIONAL DETAILS AND PRICING <<

DOOR SIZE W x H INCHES (MM)	WEIGHT	
	LBS	KG
24 x 24 (610 x 610)	60	27
24 x 30 (610 x 762)	69	31
30 x 30 (762 x 762)	79	36
30 x 36 (610 x 914)	88	40
36 x 36 (914 x 914)	99	45
36 x 48 (914 x 1219)	121	55
42 x 42 (1067 x 1067)	123	56
*48 x 48 (1219 x 1219)	158	72
*48 x 72 (1219 x 1829)	215	98
*60 x 60 (1524 x 1524)	223	101

\* DOUBLE LEAF  
For detailed specifications see submittal sheet



MANUFACTURED BY ACUDOR

### NOTES:

- MATERIAL: ALUMINUM WITH 316 STAINLESS STEEL NUTS & BOLTS, HINGES AND HOLD OPEN ARM.
- LOADING: 300 LBS. PER SQ. FOOT. (1464 KG. PER SQ. M)

For a complete list of options visit [www.BestAccessDoors.ca](http://www.BestAccessDoors.ca)

## PROJECT DATA

Custom Sizes Available - Fast!

PROJECT NAME :	QTY	W	H	OPTIONS
ARCHITECT :				
DEALER :				
CONTRACTOR :				
LOCATION :	SPECIAL INSTRUCTIONS :			
DATE :				
TAGGING INSTRUCTIONS :	SUBMITTAL APPROVAL : (signature or stamp)			

Scan or Click



To view Pricing and Additional Product Info.

TELEPHONE:  
1-800-483-0823

FAX:  
1-888-828-6021

385 WILSON STREET EAST,  
SUITE 302  
ANCASTER, ON, L9G 2C1  
CANADA



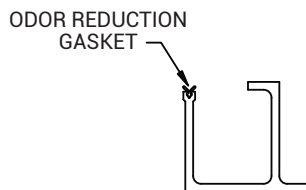
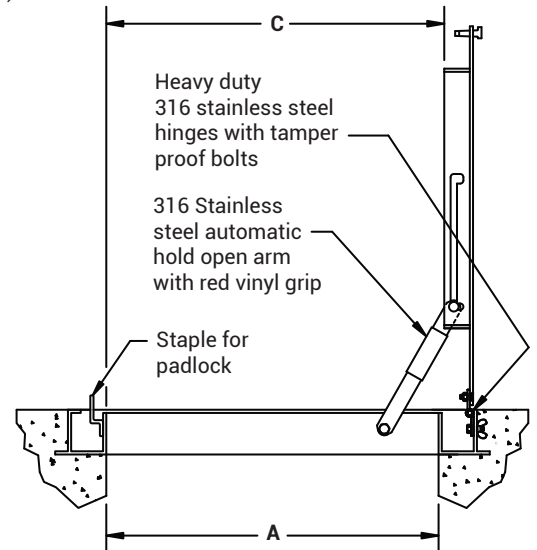
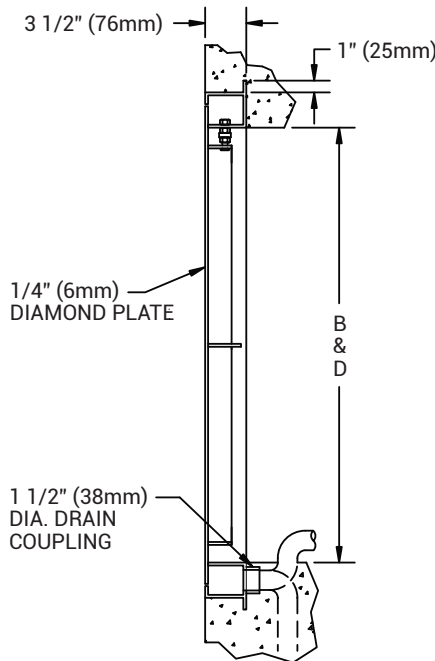
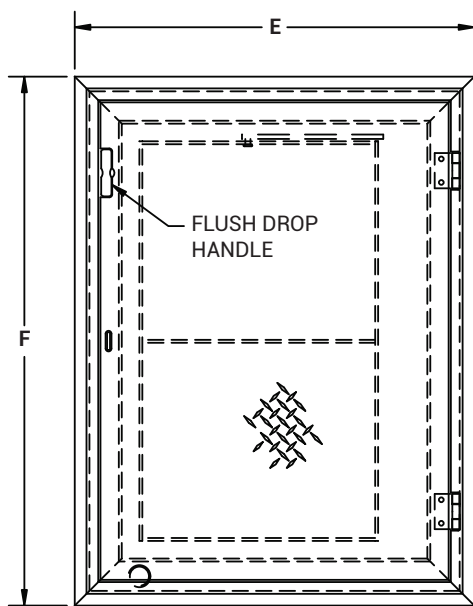
WEBSITE:  
[www.BestAccessDoors.ca](http://www.BestAccessDoors.ca)

E-MAIL:  
[info@bestaccessdoors.ca](mailto:info@bestaccessdoors.ca)

**BAC-WTFD**

**WATERTIGHT FLOOR HATCH CAST IN PLACE 300LB/SQFT - SINGLE LEAF**

NOMINAL DOOR SIZE	FRAME OPENING		CLEAR OPENING		OVERALL SIZE		WEIGHT
in. (mm)	A in. (mm)	B in. (mm)	C in. (mm)	D in. (mm)	E in. (mm)	F in. (mm)	LBS. (KG)
24 x 24 (610 x 610)	24 (610)	24 (610)	24 (610)	24 (610)	32 (813)	32 (813)	60 (27)
24 x 30 (610 x 762)	24 (610)	30 (762)	24 (610)	30 (762)	32 (813)	38 (965)	69 (31)
30 x 30 (762 x 762)	30 (762)	30 (762)	29 (737)	30 (762)	38 (965)	38 (965)	79 (36)
30 x 36 (762 x 914)	30 (762)	36 (914)	29 (737)	36 (914)	38 (965)	44 (1118)	88 (40)
36 x 36 (914 x 914)	36 (914)	36 (914)	35 (889)	36 (914)	44 (1118)	44 (1118)	99 (45)
36 x 48 (914 x 1219)	36 (914)	48 (1219)	35 (889)	48 (1219)	44 (1118)	56 (1422)	121 (55)
42 x 42 (1067 x 1067)	42 (1067)	42 (1067)	41 (1041)	42 (1067)	50 (1270)	50 (1270)	123 (56)



1/4" Extruded trough section W/integral continuous anchor flange & groove for gasket frame MAT'L: aluminum 6063-TS

**NOTES:**

- MATERIAL: ALUMINUM WITH 316 STAINLESS STEEL NUTS & BOLTS, HINGES AND HOLD OPEN ARM.
- LOADING: 300 LBS. PER SQ. FOOT. (1464 KG. PER SQ. M)

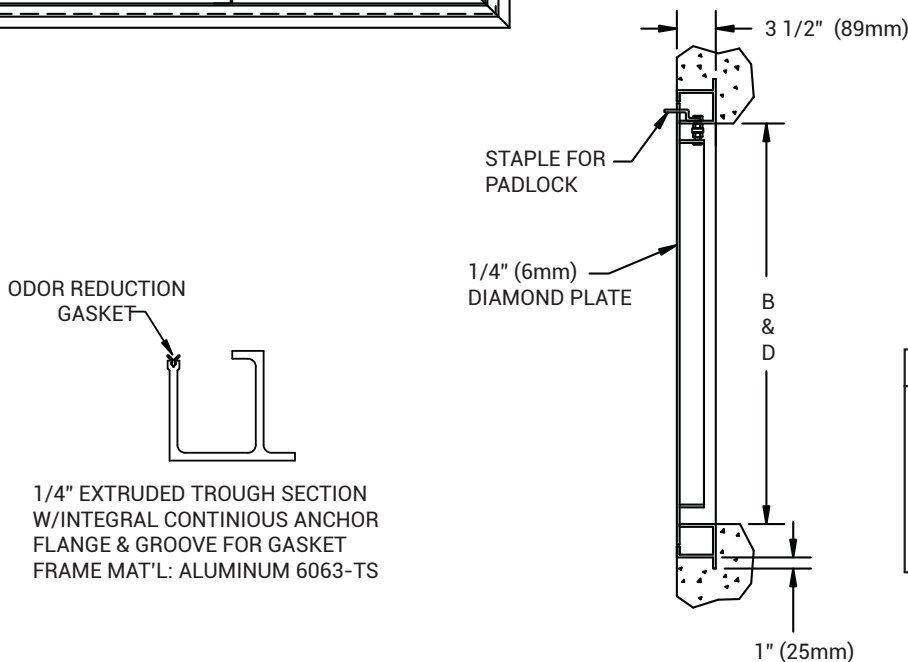
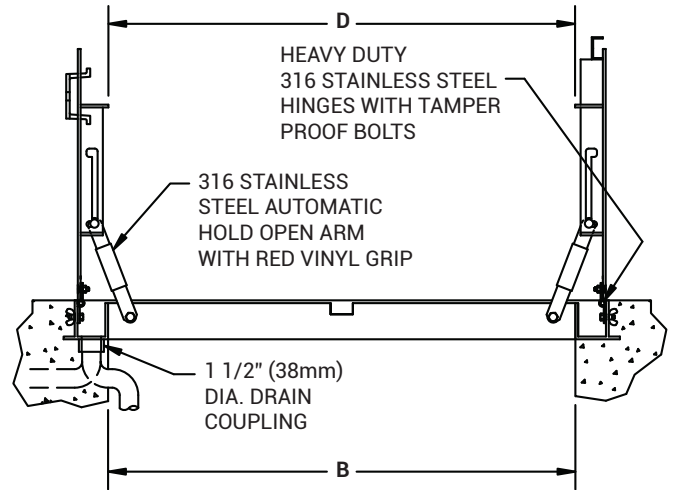
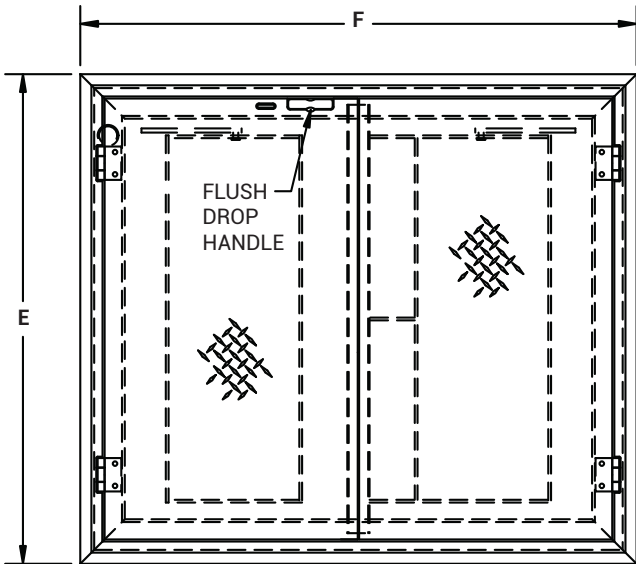
**OPTIONAL FEATURES**

- S.S. HORIZONTAL SPRINGS
- S.S. SLAMLOCK
- BITUMINOUS PAINT ON AREA IN CONTACT WITH CONCRETE
- OTHERS: \_\_\_\_\_

**BAC-WTFD**

**WATERTIGHT FLOOR HATCH CAST IN PLACE 300LB/SQFT - DOUBLE LEAF**

NOMINAL DOOR SIZE	FRAME OPENING		CLEAR OPENING		OVERALL SIZE		WEIGHT
in. (mm)	A in. (mm)	B in. (mm)	C in. (mm)	D in. (mm)	E in. (mm)	F in. (mm)	LBS. (KG)
48 x 48 (1219 x 1219)	48 (1219)	48 (1219)	48 (1219)	45 (1143)	56 (1422)	56 (1422)	158 (72)
48 x 72 (1219 x 1829)	48 (1219)	72 (1829)	48 (1219)	70 (1778)	56 (1422)	80 (2032)	215 (98)
60 x 60 (1524 x 1524)	60 (1524)	60 (1524)	60 (1524)	58 (1473)	68 (1727)	68 (1727)	223 (101)



- NOTES:
- MATERIAL: ALUMINUM WITH 316 STAINLESS STEEL NUTS & BOLTS, HINGES AND HOLD OPEN ARM.
  - LOADING: 300 LBS. PER SQ. FOOT. (1464 KG. PER SQ. M)

OPTIONAL FEATURES
<input type="checkbox"/> S.S. HORIZONTAL SPRINGS
<input type="checkbox"/> S.S. SLAMLOCK
<input type="checkbox"/> BITUMINOUS PAINT ON AREA IN CONTACT WITH CONCRETE
<input type="checkbox"/> OTHERS: _____