



Quality Access Doors- FAST!

SUBMITTAL/TECHNICAL DATA SHEET

APPLICATION

Acudor Security Roof Hatches are designed to provide convenient, economical access to the roof of a building while adding an additional level of security. The heavy gauge materials used to manufacture this hatch are ideal for applications in banks, prisons, hospitals and more

FEATURES

- Weather tight construction
- Convenient one-hand operation
- 12" high insulated curb
- Supports 40lbs./sq. ft. live load
- G90 Galv. Steel
- Stainless Steel Hardware

OPTIONAL FEATURES

- Louvered Curbs
- Curb Mounted Units
- Stainless Steel cover, curb
- Aluminum Material
- Curb pitch corrected for sloped roof
- Higher curb heights for "green roof" applications

SPECIFICATIONS

COVER: Double-skin construction ("in box type design") with 1" Polyiso (R-6) insulation and a continuous EPDM foam weather/draft seal gasket that is attached to the inside of cover to provide a flush, tight fit. Designed to support a live load of 40lbs./sq. ft., the cover is 10 gauge galvanized steel with a 18 gauge galvanized steel inside liner.

CURB: 10 gauge galvanized steel with 1" thick Polyiso (R-6) insulation with Fiberglass liner at curb exterior. Curb is 12" high, with 3.375" wide bottom flange and pre-drilled mounting holes

HINGE: Heavy duty galvanized steel pintle hinges with 3/8" SS pin

OPENING: Gas spring operators allow cover to open and close with ease. Stainless Steel inside pull handle allows for easy control when closing cover

DOOR LATCH: Self latching, zinc plated outside T handle with stainless steel inside lock and lever assembly. Heavy duty detention lock with paracentric key. Unit also has inside and outside padlock provisions.

FINISH: Material is prepared with an iron phosphate wash, followed by a rust inhibiting primer, and then a baked on polyester enamel paint

SKU: BAC-SRH ROOF HATCH FOR SECURITY



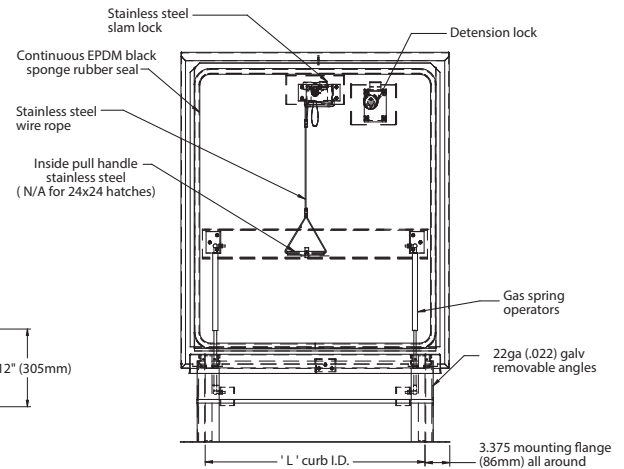
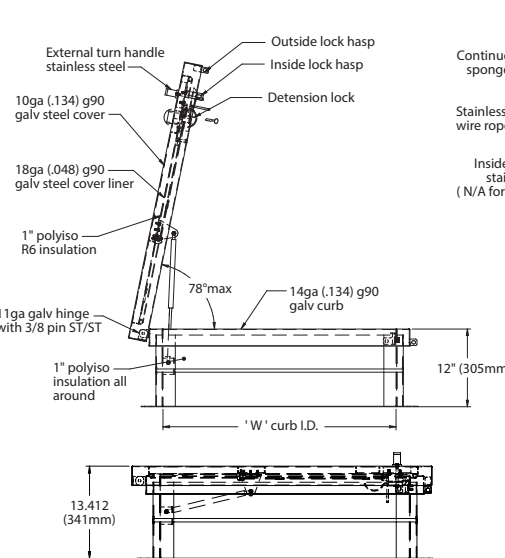
■ DIMENSIONS AND APPEARANCE

>> CLICK TO VIEW ADDITIONAL DETAILS AND PRICING <<

MODEL	CURB ID L&W		MATERIALS	WEIGHT	
	INCHES	(MM)		LBS	KG
GSEC3232	24 x 24	(610 x 610)	GALVANIZED	250	114
GSEC3224	24 x 36	(610 x 914)	GALVANIZED	270	122
GSEC3838	30 x 30	(762 x 762)	GALVANIZED	280	128
GSEC3844	30 x 36	(762 x 914)	GALVANIZED	310	142
GSEC4444	36 x 36	(914 x 914)	GALVANIZED	340	154

For detailed specifications see submittal sheet

MANUFACTURED BY ACUDOR



ASSEMBLY NOTE:
Unit shall be completely assembled as shown and supplied to job ready for installation
FINISH: Baked enamel polyester
COLOR: RAL 7046 Telegrey2

For a complete list of options visit www.BestAccessDoors.ca

■ PROJECT DATA

Custom Sizes Available - Fast!

Scan or Click



To view Pricing and Additional Product Info.

PROJECT NAME :	QTY	W	H	OPTIONS
ARCHITECT :				
DEALER :				
CONTRACTOR :				
LOCATION :	SPECIAL INSTRUCTIONS :			
DATE :				
TAGGING INSTRUCTIONS :	SUBMITTAL APPROVAL : (signature or stamp)			

TELEPHONE:
1-800-483-0823
FAX:
1-888-828-6021

385 WILSON STREET EAST,
SUITE 302
ANCASTER, ON, L9G 2C1
CANADA

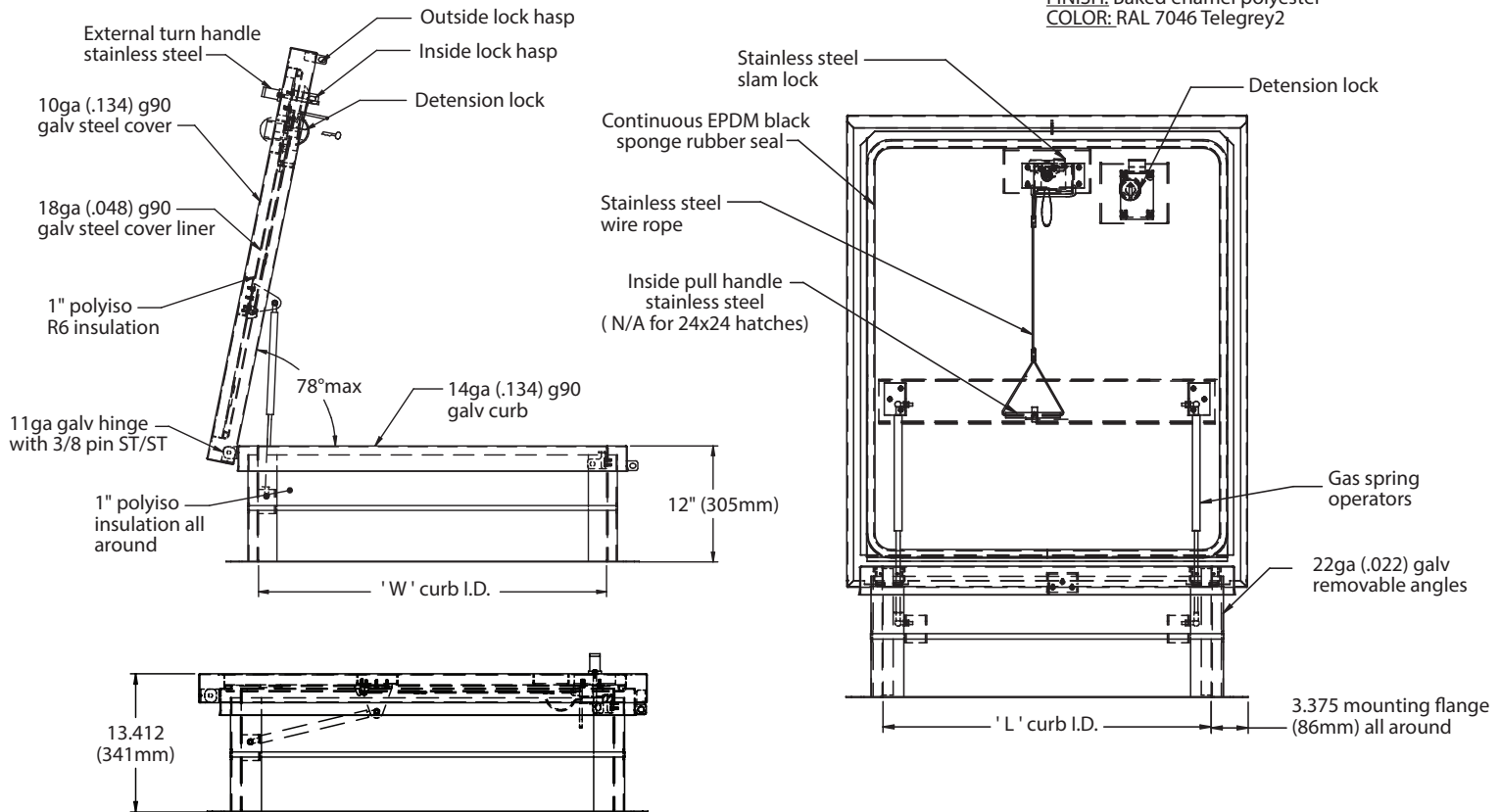


WEBSITE:
www.BestAccessDoors.ca
E-MAIL:
info@bestaccessdoors.ca

BAC-SRH ROOF HATCH FOR SECURITY

QTY	OPENING WIDTH 'W'	OPENING LENGTH 'L'	QTY	OPENING WIDTH 'W'	OPENING LENGTH 'L'
	24" (610mm)	24" (610mm)		36" (914mm)	30" (762mm)
	36" (914mm)	24" (610mm)		36" (914mm)	36" (914mm)
	30" (762mm)	30" (762mm)			

ASSEMBLY NOTE:
Unit shall be completely assembled as shown and supplied to job ready for installation
FINISH: Baked enamel polyester
COLOR: RAL 7046 Telegrey2



MANUFACTURED BY ACUDOR