



Quality Access Doors- FAST!

SUBMITTAL/TECHNICAL DATA SHEET

SPECIFICATIONS

01. 1 1/4" Schedule 40 pipe in 6061 T6 aluminum alloy rails
02. Self closing gate
03. Aluminum post supports
04. Corner brackets
05. Stainless steel spring hinges
06. Cast aluminum gate latch with stainless steel pin

NOTES:

01. Top of rail to be set 42" above the roof surface or deck
02. Left hand gate shown
03. All fasteners are stainless steel
04. All parts and fasteners are included in package. Capflashing must be structurally sound to support assembly
05. Powder coat finish in ral 1018, Safety yellow

ROOF SCUTTLE NOT INCLUDED

For a complete list of options visit www.BestAccessDoors.ca

QTY	TYPE	SIZE (INCHES) WIDTH X LENGTH
	RL2-F	4'-0" X 4'-0" [1219MM X 1219MM] HINGE SIDE

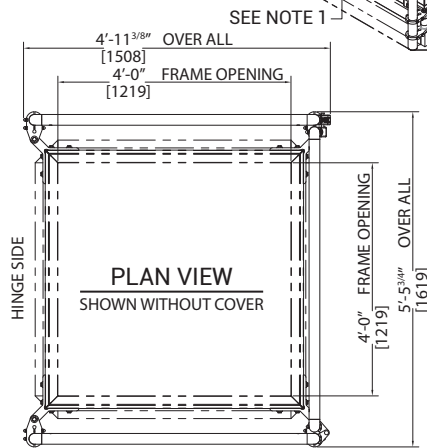
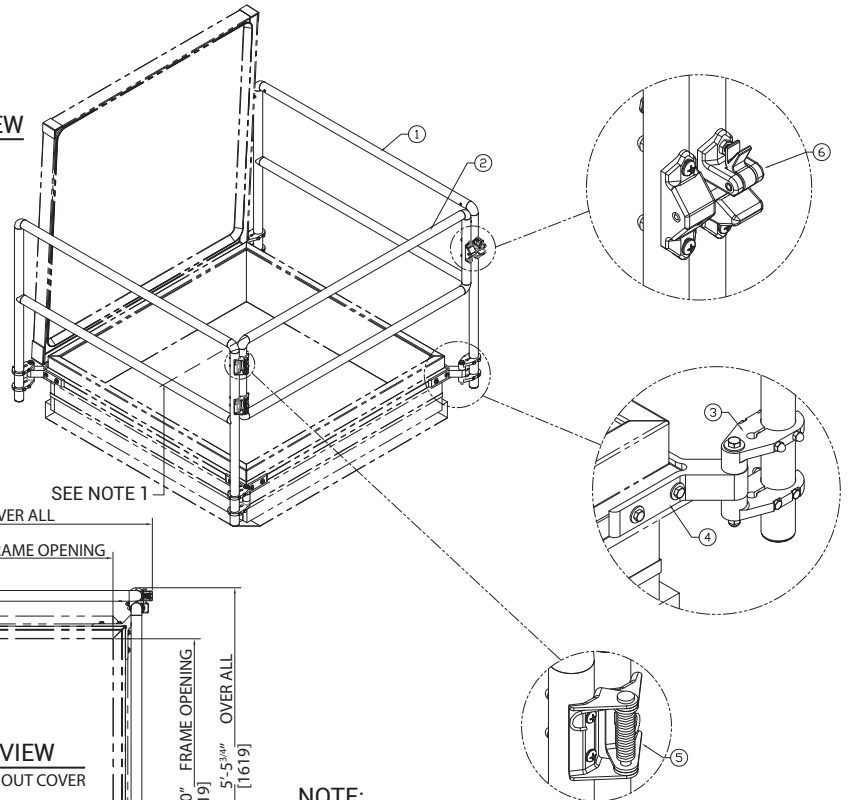


SKU: **BAG-RL2-F**
RAIL SYSTEM HATCH

DIMENSIONS AND APPEARANCE

>> [CLICK TO VIEW ADDITIONAL DETAILS AND PRICING <<](#)

ISOMETRIC VIEW



NOTE:
THIS DRAWING REPRESENTS OUR 2.0 HATCH RAIL SYSTEM, THE DOOR IS SHOWN FOR REFERENCE ONLY AND MAY NOT REFLECT ALL OPTIONS

PROJECT DATA

Custom Sizes Available - Fast!

PROJECT NAME :	QTY	W	H	OPTIONS
ARCHITECT :				
DEALER :				
CONTRACTOR :				
LOCATION :	SPECIAL INSTRUCTIONS :			
DATE :				
TAGGING INSTRUCTIONS :	SUBMITTAL APPROVAL : (signature or stamp)			

Scan or Click



To view Pricing and Additional Product Info.

TELEPHONE:
1-800-483-0823

FAX:
1-888-828-6021

385 WILSON STREET EAST,
SUITE 302
ANCASTER, ON, L9G 2C1
CANADA

WEBSITE:
www.BestAccessDoors.ca

E-MAIL:
info@bestaccessdoors.ca