



Quality Access Doors- FAST!

SUBMITTAL/TECHNICAL DATA SHEET

APPLICATION

Acudor Domed Roof Hatches are designed to provide convenient, economical access to the roof of a building. The Polycarbonate Domes provide the benefit of a skylight

FEATURES

- G90 Galv. Steel
- Stainless Steel Hardware
- Clear, bronze, white, combination polycarbonate double-skin dome

OPTIONAL FEATURES

- Stainless Steel cover, curb
- Louvered Curbs
- Curb Mounted Units
- Curb pitch corrected for sloped roof
- All Aluminum construction, cover and curb

SPECIFICATIONS

COVER: Double-skin construction ("in box type design") with 1" Polyiso (R-6) insulation and a continuous EPDM foam weather/draft seal gasket that is attached to the inside of cover to provide a flush, tight fit. Designed to support a live load of 40lbs./sq. ft., the cover is 1/8" thick aluminum, with a 20 gauge aluminum inside liner

CURB: 14 gauge galvanized steel with 1" thick Polyiso (R-6) insulation with Fiberglass liner at curb exterior. Curb is 12" high, with 3.375" wide bottom flange and pre-drilled mounting holes

HINGE: Heavy duty galvanized steel pintle hinges with 3/8" SS pin

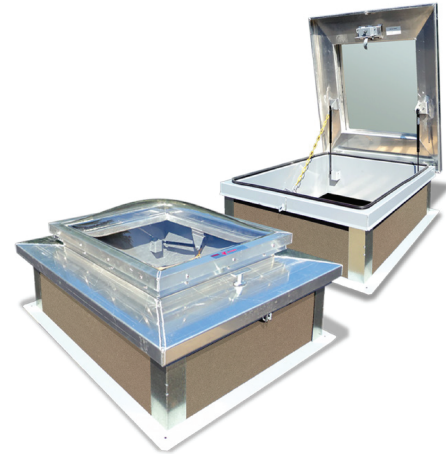
OPENING: Gas spring operators allow cover to open and close with ease. Stainless Steel inside pull handle allows for easy control when closing cover.

DOOR LATCH: Self latching, Stainless Steel outside T handle with stainless steel inside lock and lever assembly. Unit also has inside and outside padlock provisions.

FINISH: Material is prepared with an iron phosphate wash, followed by a rust inhibiting primer, and then a baked on polyester enamel grey paint

SKU: **BAG-RHGDD**

GALV. DOMED ROOF HATCH

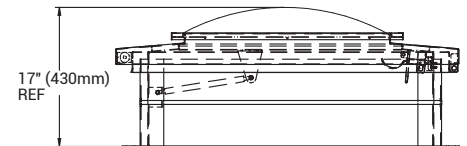


DIMENSIONS AND APPEARANCE

>> [CLICK TO VIEW ADDITIONAL DETAILS AND PRICING](#) <<

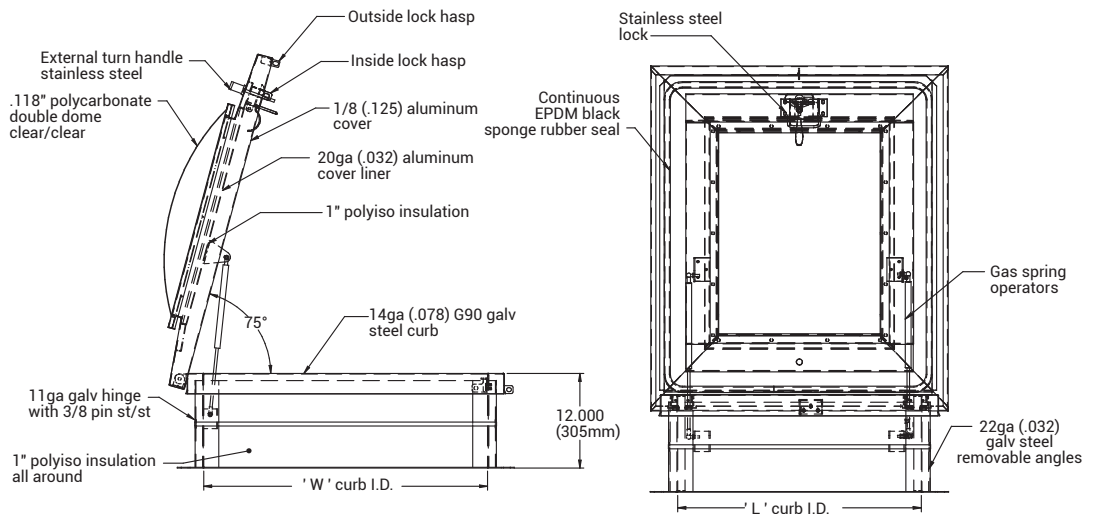
STANDARD SIZES:

MODEL	CURB ID L&W INCHES (MM)	WEIGHT	
		LBS	KG
GD3232	24 x 24 (610 x 610)	125	56.8
GD3238	24 x 36 (610 x 914)	135	61.4
GD3244	30 x 30 (762 x 762)	140	63.5
GD3838	30 x 36 (762 x 914)	155	70.5
GD3844	36 x 36 (914 x 914)	170	77.3



ASSEMBLY NOTE:
UNIT SHALL BE COMPLETELY ASSEMBLED AS SHOWN AND SUPPLIED TO JOB READY FOR INSTALLATION

FINISH: MILL FINISH



For a complete list of options visit www.BestAccessDoors.ca

PROJECT DATA

Custom Sizes Available - Fast!

PROJECT NAME :	QTY	W	H	OPTIONS
ARCHITECT :				
DEALER :				
CONTRACTOR :				
LOCATION :	SPECIAL INSTRUCTIONS :			
DATE :				
TAGGING INSTRUCTIONS :	SUBMITTAL APPROVAL : (signature or stamp)			

Scan or Click



To view Pricing and Additional Product Info.

TELEPHONE:
1-800-483-0823
FAX:
1-888-828-6021



385 WILSON STREET EAST,
SUITE 302
ANCASTER, ON, L9G 2C1
CANADA

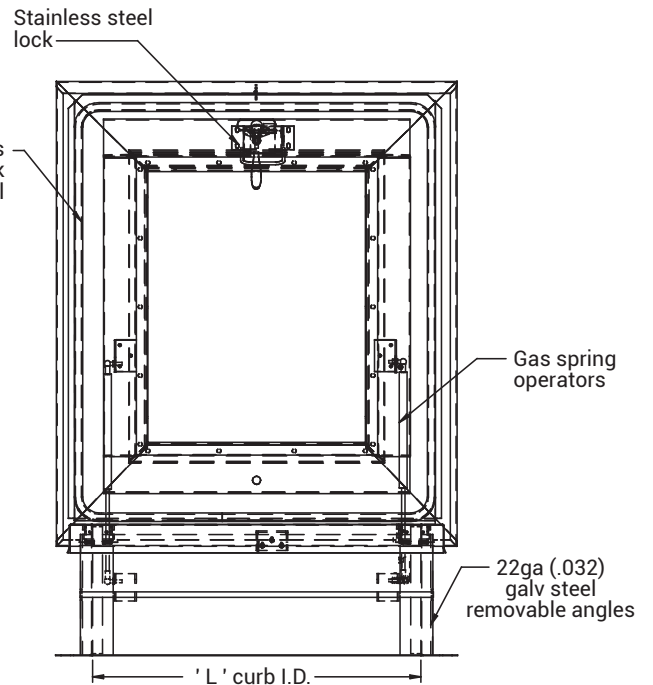
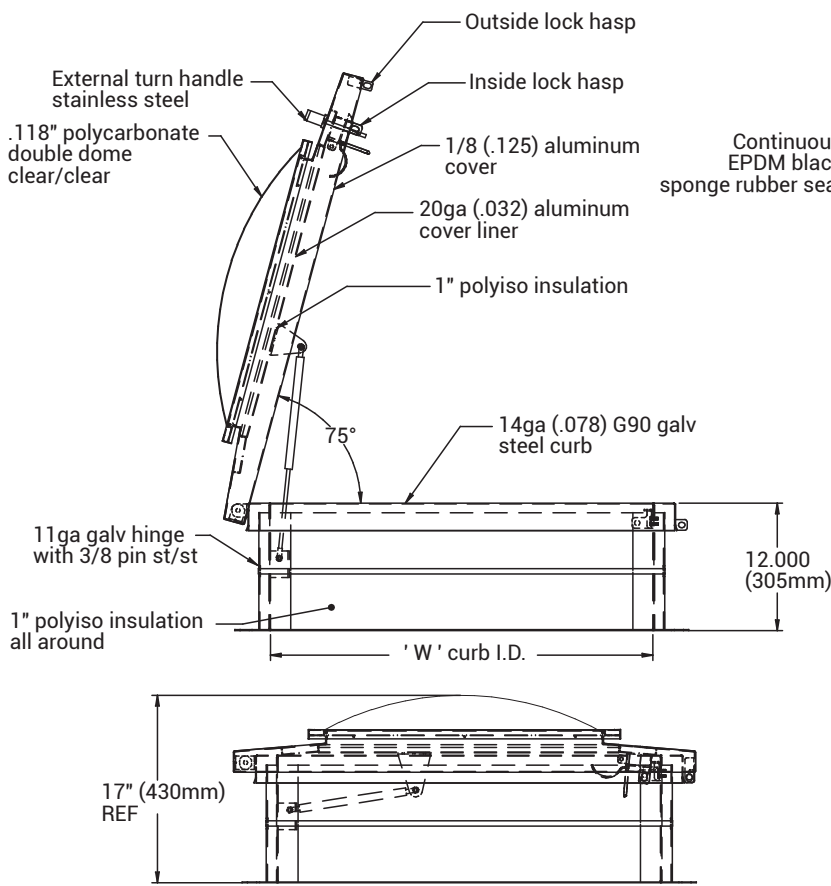


WEBSITE:
www.BestAccessDoors.ca
E-MAIL:
info@bestaccessdoors.ca

BAC-RHGDD

DOMED ROOF HATCH GALVANIZED

QTY	OPENING WIDTH 'W'	OPENING LENGTH 'L'	QTY	OPENING WIDTH 'W'	OPENING LENGTH 'L'
	24" (610mm)	24" (610mm)		36" (914mm)	30" (762mm)
	36" (914mm)	24" (610mm)		36" (914mm)	36" (914mm)
	30" (762mm)	30" (762mm)		48" (1219mm)	48" (1219mm)



ASSEMBLY NOTE:
 UNIT SHALL BE COMPLETELY ASSEMBLED
 AS SHOWN AND SUPPLIED TO JOB READY
 FOR INSTALLATION

FINISH: MILL FINISH

MANUFACTURED BY ACUDOR