



Quality Access Doors- FAST!

SUBMITTAL/TECHNICAL DATA SHEET

SAFETY FIRST

Caution is the key when working in high elevations and that is where most roof and ceiling access is found. Acudor Safety Rails are designed for all Roof Hatch applications to assist in making every work space as safe as possible.

FEATURES

- Railing system surrounds all sides of the opening
- (Self Closing Gate) Spring tension gate keeps the opening closed after pass through
- Easy to install
- Safe, easy and economic access
- Assembled on site, no special tools necessary
- Standard Finish is Safety Yellow Painted, also available in Galvanized finish

COMPONENTS

MATERIAL: Steel ASTM A36

RAILS: Steel ASTM A36

JOINERS: Steel ASTM A36

RAIL WIDTH: Various lengths to fit the multiple sizes of openings

WEIGHT: Standard rail lengths range from 8lbs. to 11lbs.

COMPLIANCE

- Designs complying OSHA standards
- Other specifications available

For a complete list of options visit www.BestAccessDoors.ca

SKU: BAC-RGRH SAFETY RAIL & GATE SYSTEM



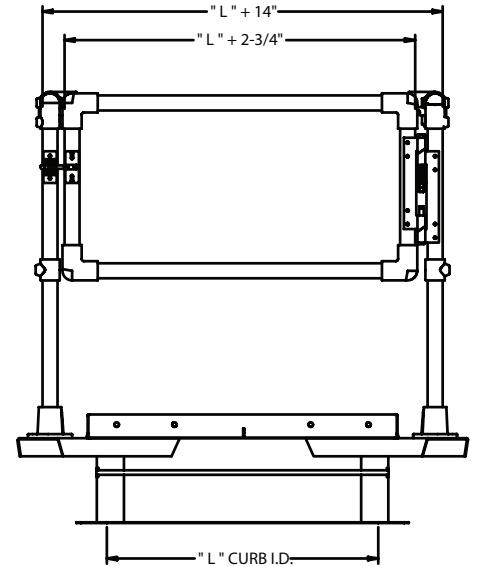
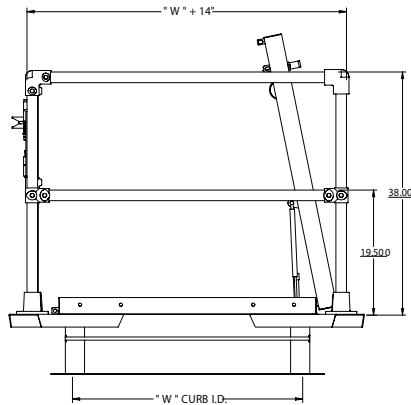
DIMENSIONS AND APPEARANCE

>> CLICK TO VIEW ADDITIONAL DETAILS AND PRICING <<

| DOOR SIZE W x H INCHES (MM) | WEIGHT | |
|--------------------------------|--------|------|
| | LBS | KG |
| 24 x 24 (610 x 610) | 60 | 24.2 |
| 24 x 30 (610 x 762) | 70 | 31.8 |
| 24 x 36 (610 x 914) | 75 | 34.0 |
| 30 x 30 (762 x 762) | 80 | 36.4 |
| 30 x 36 (762 x 914) | 90 | 41.0 |
| 42 x 42 (1067 x 1067) | 125 | 56.8 |
| 48 x 48 (1220 x 1220) | 155 | 70.4 |
| 48 x 72 (1220 x 1829) | 210 | 95.3 |
| 60 x 60 (1524 x 1524) | 220 | 98.9 |

For detailed specifications see submittal sheet

MANUFACTURED BY ACUDOR



NOTE:
Railing product image shown with 36"x 36" Aluminum Roof Hatch.
Roof Hatch products are sold separately

PROJECT DATA

Custom Sizes Available - Fast!

| | | | | |
|------------------------|--|---|---|---------|
| PROJECT NAME : | QTY | W | H | OPTIONS |
| ARCHITECT : | | | | |
| DEALER : | | | | |
| CONTRACTOR : | | | | |
| LOCATION : | SPECIAL INSTRUCTIONS : | | | |
| DATE : | | | | |
| TAGGING INSTRUCTIONS : | SUBMITTAL APPROVAL : (signature or stamp) | | | |

Scan or Click



To view Pricing and Additional Product Info.

TELEPHONE:
1-800-483-0823
FAX:
1-888-828-6021

385 WILSON STREET EAST,
SUITE 302
ANCASTER, ON, L9G 2C1
CANADA



WEBSITE:
www.BestAccessDoors.ca
E-MAIL:
info@bestaccessdoors.ca

BAC-RGRH

SAFETY RAIL AND GATE SYSTEM

