



Quality Access Doors- FAST!

SUBMITTAL/TECHNICAL DATA SHEET

STANDARD OPTIONS

- MATERIAL:**
DOOR: Aluminum diamond plate 1/4" (6.35 mm)
FRAME: 2" x 2" x 1/4" aluminum angle
HINGE:
 Heavy duty aluminum continuous piano hinge (0.080")
LOCK / LATCH:
 4" removable handle
RECESS:
 1/4" standard

OPTIONS AVAILABLE

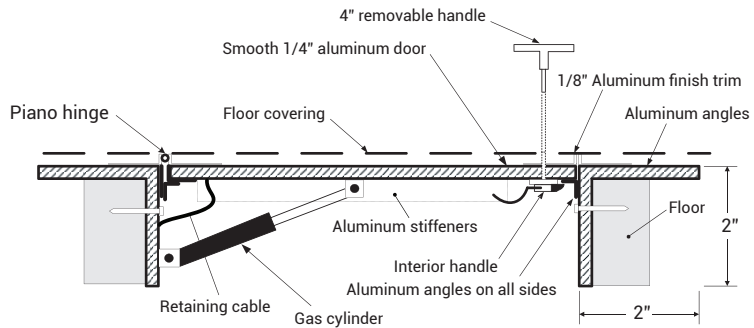
- RECESS:**
 1/8", 3/8", 1/2" and 3/4"
CAUTION:
 The BA-RAFL floor access door is designed to support a live load of 300 pounds/sq.foot and includes a hold open arm to keep the door in an open position



SKU: BAC-RAFL
RECESSED ALUMINUM FLOOR HATCH

INSTALLATION

>> CLICK TO VIEW ADDITIONAL DETAILS AND PRICING <<



DIMENSIONS AND APPEARANCE

For a complete list of options visit www.BestAccessDoors.ca

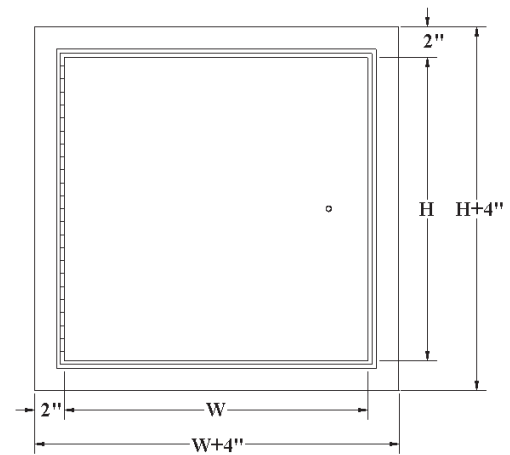
Scan or Click



To view Pricing and Additional Product Info.

LEED READY: THIS PRODUCT CONTRIBUTES TO LEED® CREDITS

HATCH SIZE - W x H INCHES (MM)	NUMBER OF LOCKS	WEIGHT LBS KG
24 x 24 (609 x 609)	1	15.9 35
24 x 36 (609 x 914)	1	44 20
Rough floor opening is door size + 1/2" or + 13mm		



PROJECT DATA

Custom Sizes Available - Fast!

PROJECT NAME :	QTY	W	H	OPTIONS
ARCHITECT :				
DEALER :				
CONTRACTOR :				
LOCATION :	SPECIAL INSTRUCTIONS :			
DATE :				
TAGGING INSTRUCTIONS :	SUBMITTAL APPROVAL : (signature or stamp)			



TELEPHONE:
 1-800-483-0823
 FAX:
 1-888-828-6021



385 WILSON STREET EAST,
 SUITE 302
 ANCASTER, ON, L9G 2C1
 CANADA



WEBSITE:
www.BestAccessDoors.ca
 E-MAIL:
info@bestaccessdoors.ca