



Quality Access Doors- FAST!

# SUBMITTAL/TECHNICAL DATA SHEET

## STANDARD OPTIONS

- MATERIAL:**  
16 gauge cold rolled steel
- HINGE:**  
Continuous piano hinge
- LOCK / LATCH:**  
Key operated cylinder cam latch
- FINISH:**  
High quality white powder coat primer
- PACKAGING:**  
Individually wrapped, 1 per box



SKU: **BAC-MSD**

## MEDIUM SECURITY ACCESS PANEL



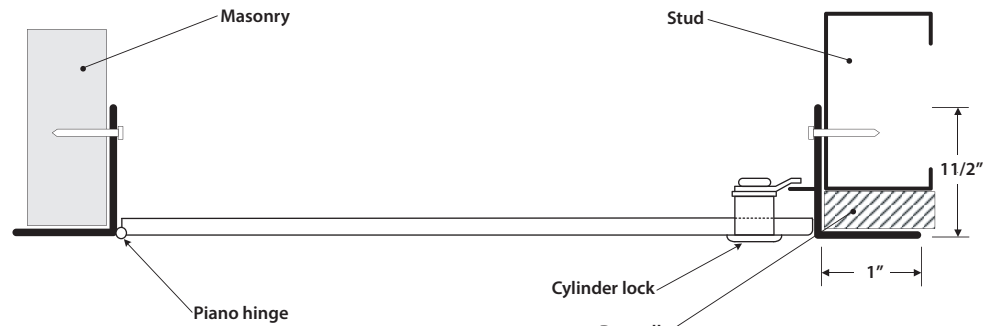
## OPTIONS AVAILABLE

- LOCK / LATCH:**
- 4" Key handle operated cam latch
  - Mortise deadbolt lock
  - Pinned hex head cam latch
  - Mortise preparation for cylinder (Cylinder optional)

**MATERIAL:**  
Stainless steel 304 #4 (brushed finish)

## INSTALLATION

>> CLICK TO VIEW ADDITIONAL DETAILS AND PRICING <<



## DIMENSIONS AND APPEARANCE

For a complete list of options visit [www.BestAccessDoors.ca](http://www.BestAccessDoors.ca)

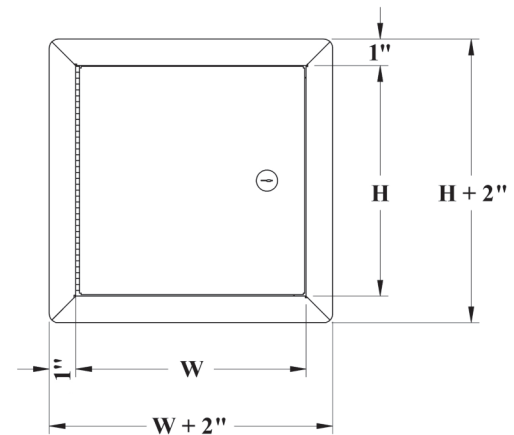
Scan or Click



To view Pricing and Additional Product Info.

**LEED READY: THIS PRODUCT CONTRIBUTES TO LEED® CREDITS**

DOOR SIZE W x H INCHES (MM)	NUMBER OF LOCKS	WEIGHT LBS	KG
12 x 12 (304 x 304)	1	2.7	6
16 x 16 (406 x 406)	1	3.2	7
18 x 18 (457 x 457)	1	5	11
24 x 24 (609 x 609)	1	19	8.6
24 x 30 (609 x 762)	2	10.9	24
24 x 36 (609 x 914)	2	12.2	27
36 x 36 (914 x 914)	2	18.6	41
Rough wall opening door size + 1/4" or +6mm			



## PROJECT DATA

**Custom Sizes Available - Fast!**

PROJECT NAME :	QTY	W	H	OPTIONS
ARCHITECT :				
DEALER :				
CONTRACTOR :				
LOCATION :	SPECIAL INSTRUCTIONS :			
DATE :				
TAGGING INSTRUCTIONS :	SUBMITTAL APPROVAL : (signature or stamp)			



TELEPHONE:  
1-800-483-0823  
FAX:  
1-888-828-6021



385 WILSON STREET EAST,  
SUITE 302  
ANCASTER, ON, L9G 2C1  
CANADA



WEBSITE:  
[www.BestAccessDoors.ca](http://www.BestAccessDoors.ca)  
E-MAIL:  
[info@bestaccessdoors.ca](mailto:info@bestaccessdoors.ca)