



Quality Access Doors- FAST!

SUBMITTAL/TECHNICAL DATA SHEET

APPLICATION

Folding attic ladders enable safe and easy access to non-inhabited spaces without the need for installing costly and space consuming staircases. Insulated fire rated wooden model LWF is recommended for building codes require fire protections.

SPECIFICATIONS

HATCH:

Insulated, sandwich type, white
Thickness: 3 1/8"
Thermal insulation thickness: 2 7/8"
No lock – unloading mechanism automatically presses the hatch to the box, opening with the use of a control rod gasket that expands under extreme heat.

FRAME:

Pinewood.
Height: 8 5/8"
Gasket: 3 pcs

LADDER:

Pinewood
Ladder width: 15"
Stringer height: 3 1/8"
Distance between steps: 9 7/8"

STEPS:

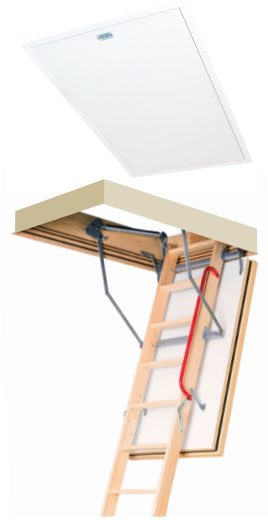
Made of pinewood, equipped with anti-slip profile.
Step width: 3 1/8"
Thickness: 7/8"
Length: 13 1/4"

STANDARD ACCESSORIES:

Handrail in red colour.
Plastic ends.
Control rod for opening the hatch.

SKU: **BAC-LWF**

WOODEN FOLDING ATTIC LADDERS



DIMENSIONS AND APPEARANCE

>> CLICK TO VIEW ADDITIONAL DETAILS AND PRICING <<

DIMENSIONS:

Rough Opening	Room Height
22.5" x 47"	7'5" - 8'11"
25" x 47"	
22.5" x 54"	7'11 1/2" - 10'1"
25" x 54"	
30" x 54"	

TECHNICAL PARAMETERS:

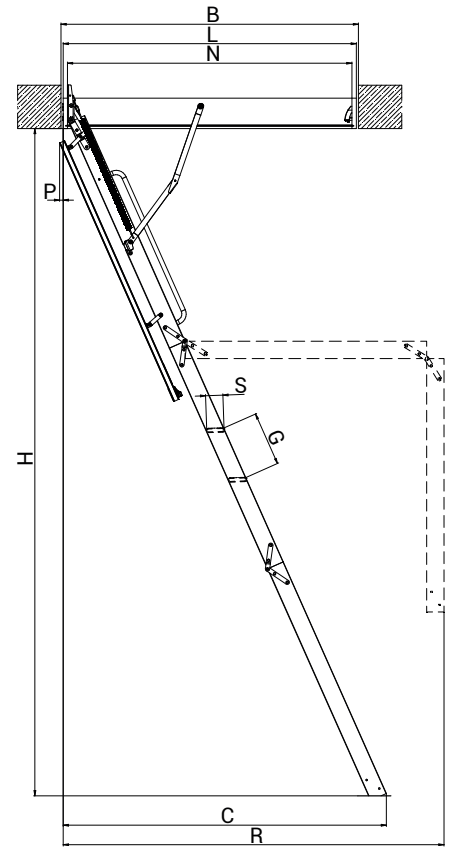
Maximum Loading	
350 lbs	
Heat Transfer Coefficient	
R-value: 9.5	
Fire Rating:	
ASTM E119	NFPA 288
43 min	30 min

COMPATIBLE ACCESSORIES:

Ladder Balustrade LXB-U	The balustrade is available in one standard size 30"x54" for all attic ladders.
Metal handrail LXH	While ordering handrail please provide attic ladder type .
Installation brackets LXX	Maximum ceiling 17"
Wooden trim LXL-P, LXL-W	The trims are available in one size 30"x54" for smaller sizes have to be cut.
PCV trim LXL-PVC	The trims are available in one size 30"x54" for smaller sizes have to be cut.
Box extension LXN	The standard box height is 4". While ordering the LXN please provide ladder type and size.
Upper hatch LXW	The height of the upper hatch box is 7 3/4"

ASSEMBLY INFORMATION

The LWF Attic Ladder requires screwing side elements of the supports which for transport purposes are unscrewed. New design of the loft ladder (hatch fastened by means of special the so-called "clicks") allows for easy and quick installation without the need for entering the attic. The length of the last segment should be cut on-site to suit to existing ceiling height. Installation of the product must be carried out in accordance with the included fitting instructions.



For more details see the second page

For a complete list of options visit www.BestAccessDoors.ca

PROJECT DATA

Custom Sizes Available - Fast!

Scan or Click



To view Pricing and Additional Product Info.

PROJECT NAME :	QTY	W	H	OPTIONS
ARCHITECT :				
DEALER :				
CONTRACTOR :				
LOCATION :	SPECIAL INSTRUCTIONS :			
DATE :	SUBMITTAL APPROVAL :			
TAGGING INSTRUCTIONS :	(signature or stamp)			

TELEPHONE:
1-800-483-0823
FAX:
1-888-828-6021

385 WILSON STREET EAST,
SUITE 302
ANCASTER, ON, L9G 2C1
CANADA



WEBSITE:
www.BestAccessDoors.ca
E-MAIL:
info@bestaccessdoors.ca

BAC-LWF

WOODEN FOLDING SECTION ATTIC LADDERS

SIZE:						
LWF		22½x47	25x47	22½x54	25x54	30x54
Ceiling height	H	7'5" - 8'11"			7'11½" - 10'1"	
Rough opening	AxB	22½"x47"	25"x47"	22½"x54"	25"x54"	30"x54"
Outside frame dimensions		22"x46⅝"	24½"x46⅝"	22"x53½"	24½"x53½"	29½"x53½"
Internal dimensions		20½" x44⅞"	23"x44⅞"	20½"x51¾"	23"x51¾"	28"x51¾"
Projection	R	67"			73¼"	
Landing space	C	59"			65¾"	
Folder ladder height	K				15"	
Frame height					8⅝"	

