



Quality Access Doors- FAST!

SUBMITTAL/TECHNICAL DATA SHEET

APPLICATION

The LWB is a basic wooden model of FAKRO attic ladders that is ideal for occasion use in areas where the basic insulation is needed. LWB attic ladder is equipped with insulated door with a plastic latch for positioning the hatch in the box, a gasket to reduce air leak and a handrail which assists in climbing up and down the ladder.

SPECIFICATIONS

HATCH: Insulated, sandwich type, beige. Thickness: 1". Thermal insulation thickness: 3/4". Equipped with plastic latch opening with use of a control rod.

FRAME: Pinewood. Height: 5 1/2". Gasket: 1x (installation by Customer).

LADDER: Wooden. Ladder width: 15". Stringer height: 3 1/8". Distance between steps: 9 7/8".

STEPS: Wooden, equipped with anti-slip profile. Step width: 3 1/8". Step length: 13 3/8".

STANDARD ACCESSORIES: Metal handrail. Rod for opening.



SKU: **BAC-LWB**

WOODEN FOLDING ATTIC LADDERS



DIMENSIONS AND APPEARANCE

>> CLICK TO VIEW ADDITIONAL DETAILS AND PRICING <<

DIMENSIONS:

| Rough Opening | Room Height |
|---------------|---------------|
| 22.5" x 54" | 7'10" - 10'1" |
| 22" x 54" | |
| 30" x 55" | |

TECHNICAL PARAMETERS:

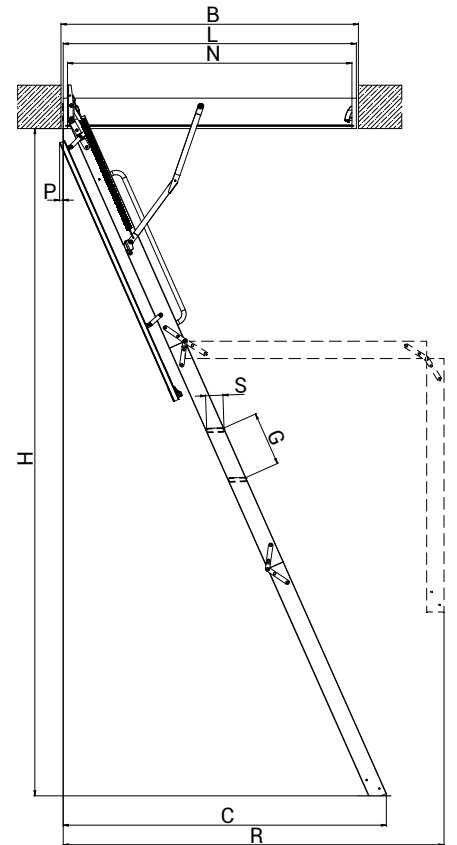
| | |
|---------------------------|--------------|
| Maximum loading | 350 lbs |
| Heat transfer coefficient | R-value: 3.7 |

COMPATIBLE ACCESSORIES:

| | |
|---------------------------|---|
| Ladder Balustrade LXU-B | The balustrade is available in one standard size 30"x54" for all attic ladders. |
| Box extension LXN-B | The balustrade is available in one standard size 30"x54" for all attic ladders. |
| Upper hatch LXW-B | The height of the upper hatch box is 7 3/4". |
| Plastic ends LXS | Before LXS installation cut the bottom segment according to instruction |
| Metal handrail LXH | Installation to top segment, as an additional handrail on the left side, handrail 29 1/2" |
| Installation brackets LXX | Maximum ceiling height: 13 3/4". |

ASSEMBLY INFORMATION

Attic ladder is fully assembled. Only the gasket requires assembly in the box by the customer. The length of the last segment should be cut on-site to suit to existing ceiling height. Installation of the product must be carried out in accordance with the included fitting instructions.



For more details see the second page

For a complete list of options visit www.BestAccessDoors.ca

PROJECT DATA

Custom Sizes Available - Fast!

Scan or Click



To view Pricing and Additional Product Info.

| PROJECT NAME : | QTY | W | H | OPTIONS |
|------------------------|--|---|---|---------|
| ARCHITECT : | | | | |
| DEALER : | | | | |
| CONTRACTOR : | | | | |
| LOCATION : | SPECIAL INSTRUCTIONS : | | | |
| DATE : | SUBMITTAL APPROVAL : (signature or stamp) | | | |
| TAGGING INSTRUCTIONS : | | | | |

TELEPHONE:
1-800-483-0823

FAX:
1-888-828-6021

385 WILSON STREET EAST,
SUITE 302
ANCASTER, ON, L9G 2C1
CANADA






WEBSITE:
www.BestAccessDoors.ca

E-MAIL:
info@bestaccessdoors.ca

BAC-LWB

WOODEN FOLDING SECTION ATTIC LADDERS

| SIZE: | |  |  |  |
|------------------------------|-----|---|---|---|
| LWB | | 22½ x 54 | 25 x 54 | 30 x 54 |
| Manufacturer's part number | | 869257 | 869258 | 869259 |
| Ceiling height | H | 7'10" - 10' 1" | | |
| Rough opening | AxB | 22 ½" x 54" | 25" x 54" | 30" x 54" |
| Outside frame dimensions | WxL | 22" x 53 ½" | 24 ½" x 53 ½" | 29 ½" x 53 ½" |
| Internal dimensions | MxN | 20 ½" x 51 ¾" | 23" x 51 ¾" | 28" x 51 ¾" |
| Projection | R | 69 ½" | | |
| Landing space | C | 59 ¼" | | |
| Folder ladder height | K | 10 ½" | | |
| Board movement after opening | P | 5/8" | | |
| Step length | E | 13 3/8" | | |
| Step width | S | 3 1/8" | | |
| Step thickness | Z | 7/8" | | |
| Distance between steps | G | 9 7/8" | | |
| Frame height | | 5 ½" | | |
| Approx. Weight (lbs) | | 59 | 61 | 65 |

