



Quality Access Doors- FAST!

# SUBMITTAL/TECHNICAL DATA SHEET

SKU: **BAG-LO1D-PF**

## HEAVY DUTY ACCESS DOOR FOR LARGE OPENINGS

WITH PLASTER BEAD FLANGE



### STANDARD OPTIONS

- MATERIAL:**  
16 gauge cold rolled steel
- HINGE:**  
Continuous piano hinge
- LOCK / LATCH:**  
Screwdriver-operated cylinder cam latch
- FLANGE:**  
Galvanized steel, 2 3/4 plaster bead flange
- FRAME:**  
2 1/2" in depth, made of 16-gauge cold rolled steel
- FINISH:**  
High quality white powder coat primer
- PACKAGING:**  
• Individually wrapped  
• 1 Per box

### OPTIONS AVAILABLE

- MATERIAL:**  
Stainless steel 304 #4 (brushed finish)
- LOCK / LATCH:**
- Key operated cylinder cam latch
  - Handle operated cam latch
  - Mortise preparation for cylinder (cylinder optional)
  - Mortise deadbolt lock
- DESIGN:** Double leaf

For a complete list of options visit [www.BestAccessDoors.ca](http://www.BestAccessDoors.ca)

Scan or Click



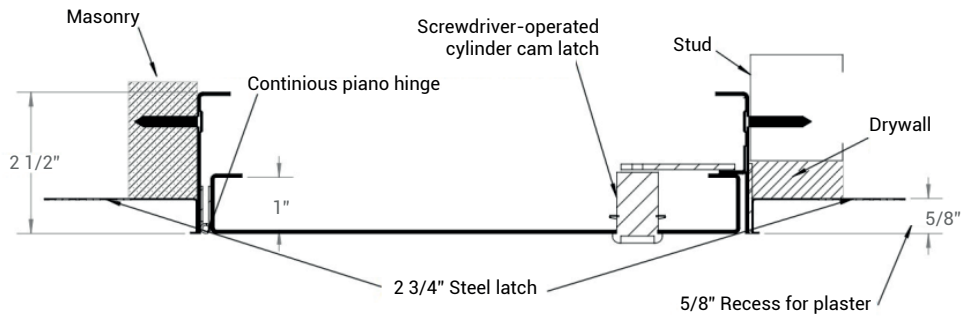
To view Pricing and Additional Product Info.

**LEED READY: THIS PRODUCT CONTRIBUTES TO LEED® CREDITS**



### INSTALLATION

>> CLICK TO VIEW ADDITIONAL DETAILS AND PRICING <<

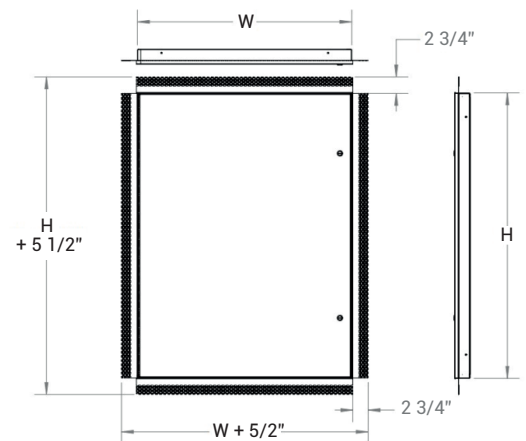


### DIMENSIONS AND APPEARANCE

#### STANDARD SIZES:

DOOR SIZE W x H INCHES (MM)	NUMBER OF LOCKS	WEIGHT	
		LBS	KG
48 x 48 (1219 x 1219)	1	62.18	28.2

Rough wall opening = door size + 1/4" or + 6mm



### PROJECT DATA

Custom Sizes Available - Fast!

PROJECT NAME :	QTY	W	H	OPTIONS
ARCHITECT :				
DEALER :				
CONTRACTOR :				
LOCATION :	SPECIAL INSTRUCTIONS :			
DATE :				
TAGGING INSTRUCTIONS :	SUBMITTAL APPROVAL : (signature or stamp)			

TELEPHONE:  
1-800-483-0823

FAX:  
1-888-828-6021

385 WILSON STREET EAST,  
SUITE 302  
ANCASTER, ON, L9G 2C1  
CANADA

WEBSITE:  
[www.BestAccessDoors.ca](http://www.BestAccessDoors.ca)

E-MAIL:  
[info@bestaccessdoors.ca](mailto:info@bestaccessdoors.ca)

