



Quality Access Doors- FAST!

# SUBMITTAL/TECHNICAL DATA SHEET

## APPLICATIONS

Safety accessibility to roof areas through the Roof Hatch opening. Safety products are designed to be used with the Acudor Roof Hatch to allow safe use at all times.

## PRODUCT FEATURES

• All of these safety products are designed to be used with the Acudor Roof Hatch to allow safe use at all times.

## COMPONENTS

TSP-1:  
Telescoping Safety Post

SLE-Y:  
Safety Ladder Extension



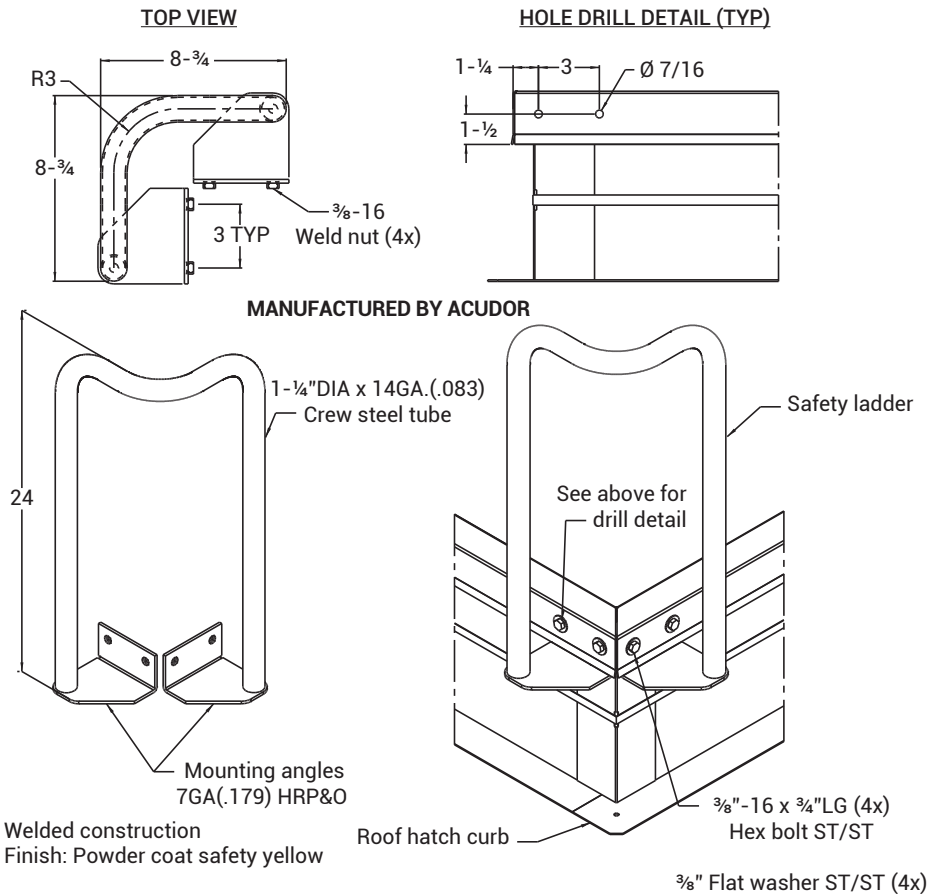
SKU: **BAG-LERH**

## ROOF HATCH SAFETY LADDER



### ■ DIMENSIONS AND APPEARANCE

>> CLICK TO VIEW ADDITIONAL DETAILS AND PRICING <<





For a complete list of options visit  
[www.BestAccessDoors.ca](http://www.BestAccessDoors.ca)

### ■ PROJECT DATA

**Custom Sizes Available - Fast!**

PROJECT NAME :	QTY	W	H	OPTIONS
ARCHITECT :				
DEALER :				
CONTRACTOR :				
LOCATION :	SPECIAL INSTRUCTIONS :			
DATE :				
TAGGING INSTRUCTIONS :	SUBMITTAL APPROVAL : (signature or stamp)			

Scan  or  Click



BEST  
ACCESS  
DOORS

To view Pricing and  
Additional Product Info.



TELEPHONE:  
1-800-483-0823  
FAX:  
1-888-828-6021



385 WILSON STREET EAST,  
SUITE 302  
ANCASTER, ON, L9G 2C1  
CANADA



WEBSITE:  
[www.BestAccessDoors.ca](http://www.BestAccessDoors.ca)  
E-MAIL:  
[info@bestaccessdoors.ca](mailto:info@bestaccessdoors.ca)