



Quality Access Doors- FAST!

SUBMITTAL/TECHNICAL DATA SHEET

APPLICATION

Designed for interior and exterior applications where floodtight or gastight is required

FEATURES

- Angle frame construction with anchors welded around the frame for casting into concrete.
- Diamond plate door panel is reinforced for a live load of 1560 pounds/sq ft. (capable of holding up to 25 ft. head of water).
- Door panel overlaps frame, compressing the gasket providing a floodtight/gastight fit.
- EPDM gasket and floodtight cam locks ensure door will not leak from standing water

SPECIFICATIONS

MATERIAL: Aluminum door & frame ; Type 316 Stainless steel hinges & hardware

DOOR: 1/4" aluminum diamond plate reinforced for live load of 1560 pounds/per sq. ft. (capable of holding up to 25 ft. head of water)

FRAME: 3/8" aluminum with 3/16" x 1 1/2" strap anchors welded around the frame for casting into concrete

HINGE: Type 316 stainless steel butt hinges with tamper proof stainless steel bolts and nuts

GASKET: 9/16" O.D. x 1/8" I.D. EPDM gasket

OPENING DEVICE: Automatic hold open arm with red vinyl grip allows door to open to 90 degrees, locking door in open position and allowing for easy control when closing door panel. Optional Lift Assist available. Available with electrical actuators, operated by wall mounted push button switch, and remote control

STANDARD LATCH: Type 316 stainless steel floodtight cam locks and flush floodtight handle

FINISH: Mill finish is standard, Bituminous coating optional on exterior of frame

For a complete list of options visit www.BestAccessDoors.ca

SKU: BAC-GTFD FLOOR HATCH GAS TIGHT



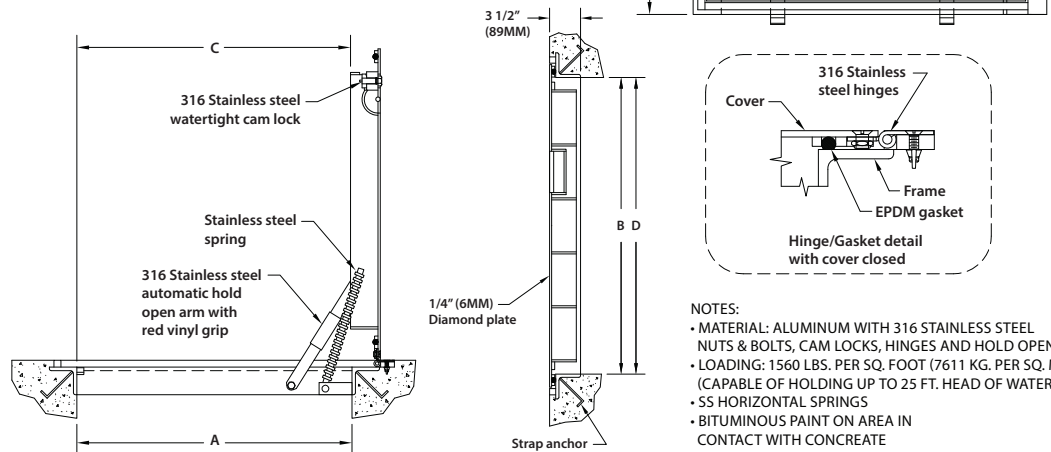
DIMENSIONS AND APPEARANCE

>> CLICK TO VIEW ADDITIONAL DETAILS AND PRICING <<

DOOR SIZE W x H INCHES (MM)	WEIGHT	
	LBS	KG
24 x 24 (610 x 610)	84	38
24 x 30 (610 x 762)	101	46
24 x 36 (610 x 914)	117	53
30 x 30 (762 x 762)	125	57
30 x 36 (762 x 914)	136	62
30 x 48 (762 x 1219)	176	80
36 x 36 (914 x 914)	156	71
36 x 48 (914 x 1219)	201	91

For detailed specifications see submittal sheet

MANUFACTURED BY ACUDOR



- NOTES:
- MATERIAL: ALUMINUM WITH 316 STAINLESS STEEL NUTS & BOLTS, CAM LOCKS, HINGES AND HOLD OPEN ARM.
 - LOADING: 1560 LBS. PER SQ. FOOT (7611 KG. PER SQ. M) (CAPABLE OF HOLDING UP TO 25 FT. HEAD OF WATER)
 - SS HORIZONTAL SPRINGS
 - BITUMINOUS PAINT ON AREA IN CONTACT WITH CONCRETE

PROJECT DATA

Custom Sizes Available - Fast!

PROJECT NAME :	QTY	W	H	OPTIONS
ARCHITECT :				
DEALER :				
CONTRACTOR :				
LOCATION :	SPECIAL INSTRUCTIONS :			
DATE :				
TAGGING INSTRUCTIONS :	SUBMITTAL APPROVAL : (signature or stamp)			

Scan or Click



To view Pricing and Additional Product Info.

TELEPHONE:
1-800-483-0823

FAX:
1-888-828-6021

385 WILSON STREET EAST,
SUITE 302
ANCASTER, ON, L9G 2C1
CANADA



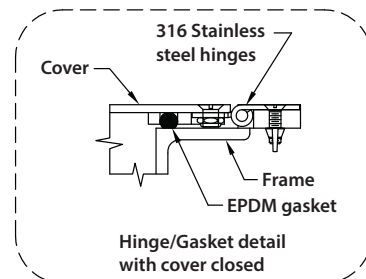
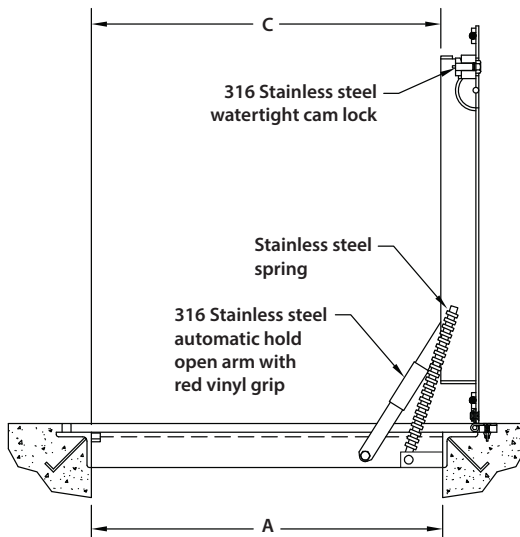
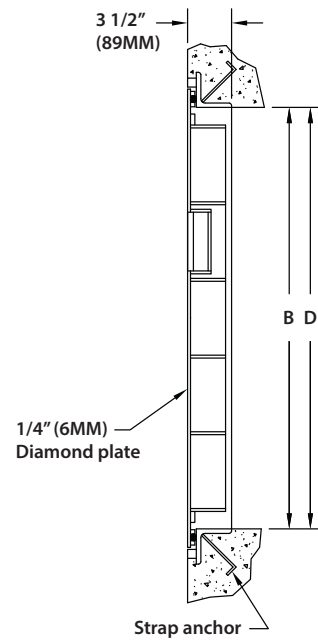
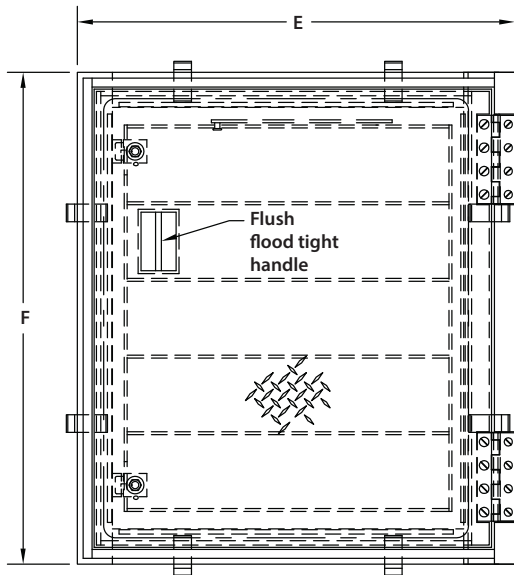
WEBSITE:
www.BestAccessDoors.ca

E-MAIL:
info@bestaccessdoors.ca

BAC-GTFD

ANGLE FRAME FLOOR HATCH GAS TIGHT

NOMINAL DOOR SIZE	FRAME OPENING		CLEAR OPENING		OVERALL SIZE		WEIGHT
in. (mm)	A in. (mm)	B in. (mm)	C in. (mm)	D in. (mm)	E in. (mm)	F in. (mm)	LBS. (KG)
24 x 24 (610 x 610)	24 (610)	24 (610)	22 (584)	24 (610)	31-5/8 (803)	30 (762)	84 (38)
24 x 30 (610 x 762)	24 (610)	30 (762)	22 (584)	30 (762)	31-5/8 (803)	36 (914)	101 (46)
24 x 36 (610 x 914)	24 (610)	36 (914)	22 (584)	36 (914)	31-5/8 (803)	42 (1067)	117 (53)
30 x 30 (762 x 762)	30 (762)	30 (762)	28 (737)	30 (762)	37-5/8 (940)	36 (914)	125 (57)
30 x 36 (762 x 914)	30 (762)	36 (914)	28 (737)	36 (914)	37-5/8 (940)	42 (1067)	136 (62)
30 x 48 (762 x 1219)	30 (762)	48 (1219)	28 (737)	48 (1219)	37-5/8 (940)	54 (1372)	176 (80)
36 x 36 (914 x 914)	36 (914)	36 (914)	34 (914)	36 (914)	43-5/8 (1108)	42 (1067)	156 (71)
36 x 48 (914 x 1219)	36 (914)	48 (1219)	34 (914)	48 (1219)	43-5/8 (1108)	54 (1372)	201 (91)



- NOTES:
- MATERIAL: ALUMINUM WITH 316 STAINLESS STEEL NUTS & BOLTS, CAM LOCKS, HINGES AND HOLD OPEN ARM.
 - LOADING: 1560 LBS. PER SQ. FOOT (7611 KG. PER SQ. M) (CAPABLE OF HOLDING UP TO 25 FT. HEAD OF WATER)
 - SS HORIZONTAL SPRINGS
 - BITUMINOUS PAINT ON AREA IN CONTACT WITH CONCRETE