



Quality Access Doors- FAST!

SUBMITTAL/TECHNICAL DATA SHEET

APPLICATION

Acudor Domed Roof Hatches are designed to provide convenient, economical access to the roof of a building. The Polycarbonate Domes provide the benefit of a skylight

FEATURES

- G90 Galv. Steel
- Stainless Steel Hardware
- Clear, bronze, white, combination polycarbonate double-skin dome

OPTIONAL FEATURES

- Stainless Steel cover, curb
- Louvered Curbs
- Curb Mounted Units
- Curb pitch corrected for sloped roof
- All Aluminum construction, cover and curb

SPECIFICATIONS

COVER: Double-skin construction ("in box type design") with 1" Polyiso (R-6) insulation and a continuous EPDM foam weather/draft seal gasket that is attached to the inside of cover to provide a flush, tight fit. Designed to support a live load of 40lbs./sq. ft., the cover is 1/8" thick aluminum, with a 20 gauge aluminum inside liner

CURB: 14 gauge galvanized steel with 1" thick Polyiso (R-6) insulation with Fiberglass liner at curb exterior. Curb is 12" high, with 3.375" wide bottom flange and pre-drilled mounting holes

HINGE: Heavy duty galvanized steel pintle hinges with 3/8" SS pin

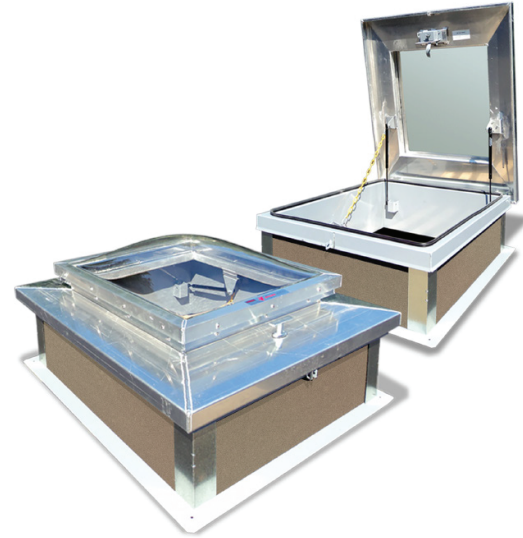
OPENING: Gas spring operators allow cover to open and close with ease. Stainless Steel inside pull handle allows for easy control when closing cover.

DOOR LATCH: Self latching, Stainless Steel outside T handle with stainless steel inside lock and lever assembly. Unit also has inside and outside padlock provisions.

FINISH: Material is prepared with an iron phosphate wash, followed by a rust inhibiting primer, and then a baked on polyester enamel grey paint

SKU: **BAC-GRH-DO**

**DOMED ROOF HATCH
GALVANIZED STEEL**

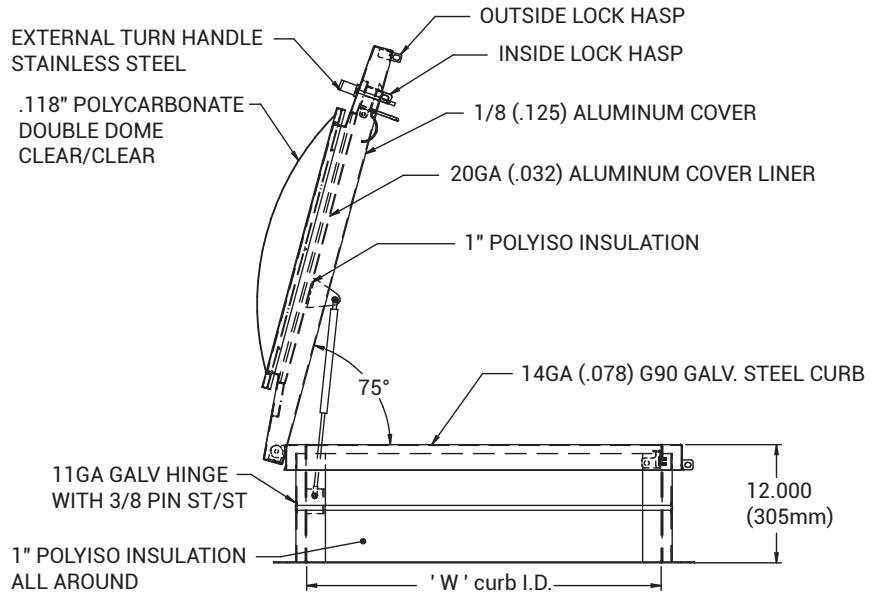


■ DIMENSIONS AND APPEARANCE

>> CLICK TO VIEW ADDITIONAL DETAILS AND PRICING <<

MODEL	CURB ID L&W		WEIGHT	
	INCHES	(MM)	LBS	KG
GD3232	24 x 24	(610 x 610)	125	56.8
GD3238	24 x 36	(610 x 914)	135	61.4
GD3244	30 x 30	(762 x 762)	140	63.5
GD3838	30 x 36	(762 x 914)	155	70.5
GD3844	36 x 36	(914 x 914)	170	77.3

For detailed specifications see submittal sheet



MANUFACTURED BY ACUDOR

For a complete list of options visit www.BestAccessDoors.ca

■ PROJECT DATA

Custom Sizes Available - Fast!

PROJECT NAME :	QTY	W	H	OPTIONS
ARCHITECT :				
DEALER :				
CONTRACTOR :				
LOCATION :	SPECIAL INSTRUCTIONS :			
DATE :				
TAGGING INSTRUCTIONS :	SUBMITTAL APPROVAL : (signature or stamp)			

Scan or Click



To view Pricing and Additional Product Info.

TELEPHONE:
1-800-483-0823

FAX:
1-888-828-6021

385 WILSON STREET EAST,
SUITE 302
ANCASTER, ON, L9G 2C1
CANADA



WEBSITE:
www.BestAccessDoors.ca

E-MAIL:
info@bestaccessdoors.ca