



Quality Access Doors - FAST!

SUBMITTAL/TECHNICAL DATA SHEET

SPECIFICATIONS

01. Frame with capflashing (corners full welded)
E-20 - 14 gauge P.B. Galv. steel
02. Pintle hinge
03. Gasket (All around cover)
04. Cover gauge
E-20 - 14 gauge P.B. Galv. steel
05. Cover liner
E-20 - 22 gauge P.B. Galv. steel
06. Spring lifting mechanism
07. 1" Fiberboard curb insulation
08. Slam latch
09. Inside and outside handles with padlock hasps
10. Arm guide bracket
11. 1" Fiberglass cover insulation
12. Hold open arm with red vinyl grip
13. Neoprene gasket
14. Guide arm (If req'd)
15. Bilclip® flashing system
16. Lock strike and padlock hasp

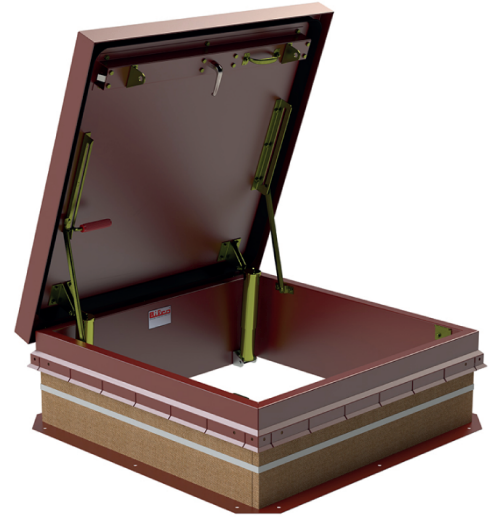
SHOP FINISH:

- COVER: red oxide primer
- FRAME: red oxide primer
- HARDWARE: non-corrosive materials
(Unless otherwise specified)

This product may be installed on either a flat or sloping roof. When installed on a slope, the hinge side must run parallel with the slope. If slope exceeds 30°, advise factory for modification.

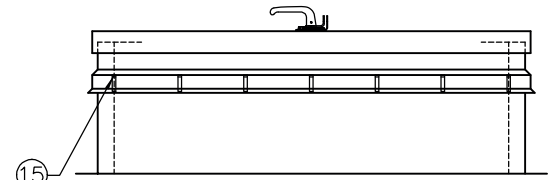
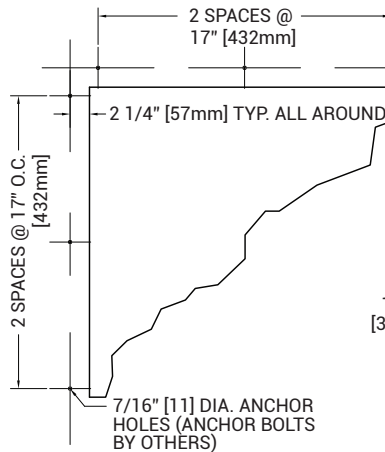
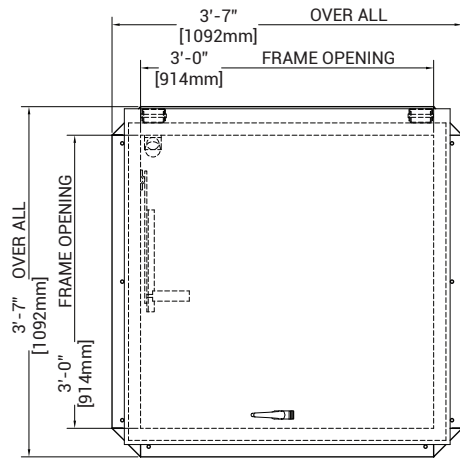
SKU: **BAG-E-20HZ**
SINGLE LEAF ROOF ACCESS HATCH - TYPE E

TYPE E

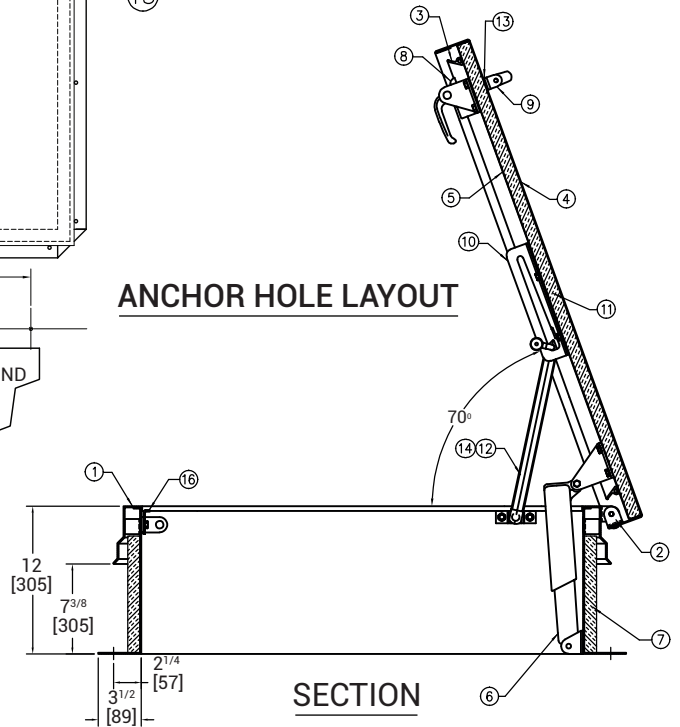


DIMENSIONS AND APPEARANCE

>> CLICK TO VIEW ADDITIONAL DETAILS AND PRICING <<



ANCHOR HOLE LAYOUT



SECTION

For a complete list of options visit www.BestAccessDoors.ca

QTY	TYPE	MATERIAL
<input type="checkbox"/>	E-20	STEEL COVER/STEEL FRAME

TYPE E SIZE 3'-0" X 3'-0" (WIDTH X HEIGHT)
914mm x 914mm

PROJECT DATA

Custom Sizes Available - Fast!

Scan or Click



To view Pricing and Additional Product Info.

PROJECT NAME :	QTY	W	H	OPTIONS
ARCHITECT :				
DEALER :				
CONTRACTOR :				
LOCATION :	SPECIAL INSTRUCTIONS :			
DATE :				
TAGGING INSTRUCTIONS :	SUBMITTAL APPROVAL : (signature or stamp)			

TELEPHONE:
1-800-483-0823

FAX:
1-888-828-6021

385 WILSON STREET EAST,
SUITE 302
ANCASTER, ON, L9G 2C1
CANADA

WEBSITE:
www.BestAccessDoors.ca

E-MAIL:
info@bestaccessdoors.ca