



Quality Access Doors - FAST!

# SUBMITTAL/TECHNICAL DATA SHEET

## DESCRIPTION

The H20 Floor Door is designed for infrequent, light duty, off street traffic in areas where water infiltration and moisture is not a concern. Designed with a flush installation for new concrete applications.

## FEATURES

- H20 Load.
- Diamond Tread Plate.
- Interior Use.
- C-Channel Frame.
- Cast-In Installation.

## SPECIFICATIONS

LOAD: H20

DOOR: Single or Double Leaf

MATERIAL:  
Aluminum: 1/4 inch, mill finish with gray primer on exterior frame.

COVER: Diamond tread plate.

FRAME: C-Channel.

INSTALLATION: Cast-In.

SPRING: Coil type 17-7 Stainless Steel enclosed in Type 316 Stainless Steel telescopic tubes.

HINGE: Heavy-duty Type 316 Stainless Steel.

HOLD OPEN ARM: Type 316 Stainless Steel automatic hold open arm locks cover in open position.

LATCH: Slam latch Type 316 Stainless Steel with inside lever handle, includes removable 5/16 inch steel square "L" handle and threaded plug.

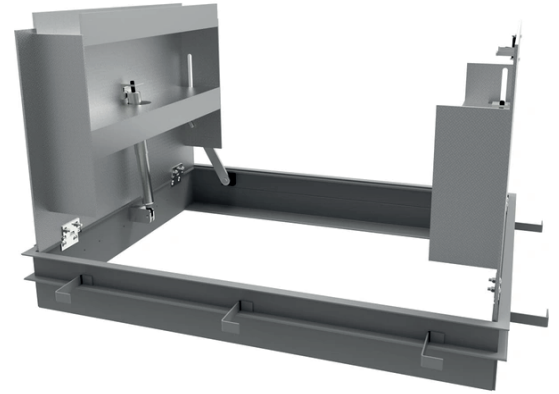
OPTIONS: Padlock Hasps, Locks, Finishes, Gasket, Safety Grates, Safety Nets, Safety Rails, Skirting.

WARRANTY: 5 year

For a complete list of options visit [www.BestAccessDoors.ca](http://www.BestAccessDoors.ca)

SKU: **BAC-BFDNHA-DL**

## NON-DRAINABLE FLOOR DOOR, H20



## DIMENSIONS AND APPEARANCE

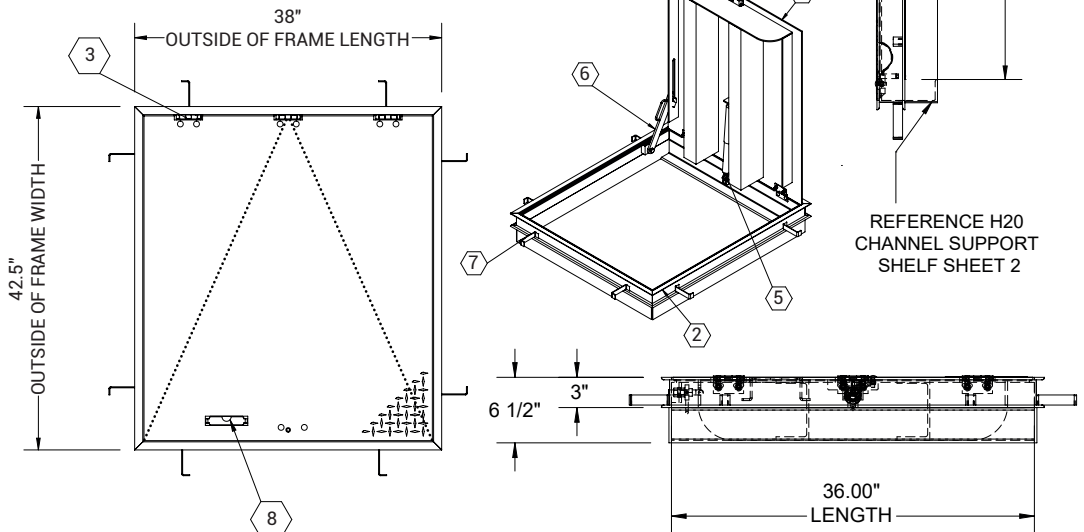
>> CLICK TO VIEW ADDITIONAL DETAILS AND PRICING <<

### ORDER GUIDE:

MODEL	WIDTH	X	LENGTH	MATERIAL	COVER	AL
BFDNH						
	SINGLE LEAF 24" X 24" 30" X 36" 36" X 36" 42" X 42"		DOUBLE LEAF 48" X 48" 48" X 72" 60" X 60"	A - 1/4 INCH ALUMINUM	S - SINGLE LEAF D - DOUBLE LEAF	

Additional sizes and options available, call for more information.

For Detailed Specifications See Submittal Sheet



## PROJECT DATA

Custom Sizes Available - Fast!

PROJECT NAME :	QTY	W	H	OPTIONS
ARCHITECT :				
DEALER :				
CONTRACTOR :				
LOCATION :	SPECIAL INSTRUCTIONS :			
DATE :				
TAGGING INSTRUCTIONS :	SUBMITTAL APPROVAL : (signature or stamp)			

Scan or Click



To view Pricing and Additional Product Info.

TELEPHONE:  
1-800-483-0823  
FAX:  
1-888-828-6021

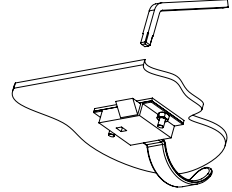
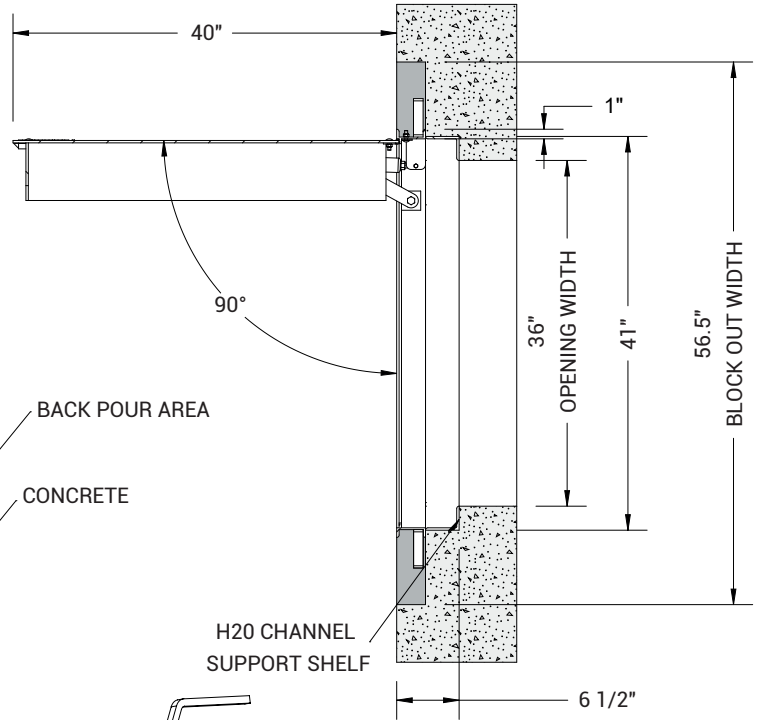
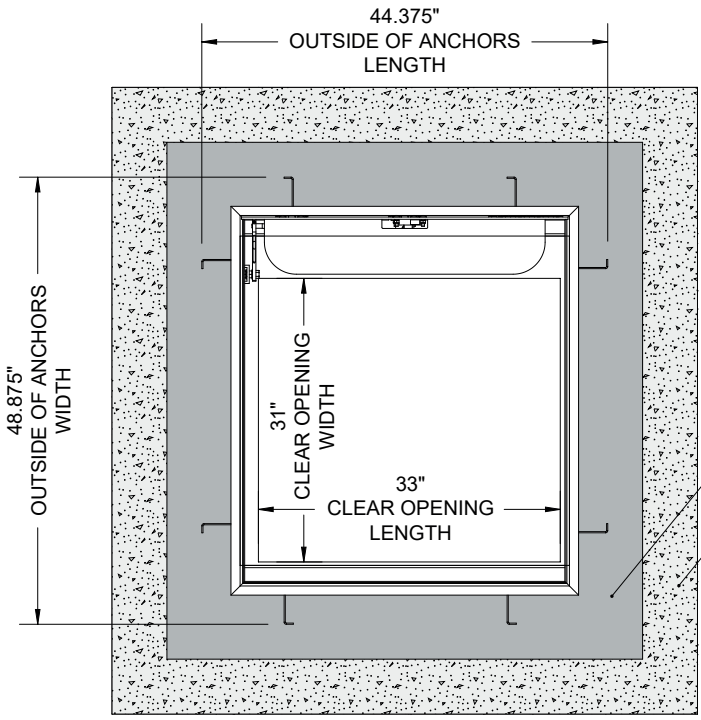


385 WILSON STREET EAST,  
SUITE 302  
ANCASTER, ON, L9G 2C1  
CANADA



WEBSITE:  
[www.BestAccessDoors.ca](http://www.BestAccessDoors.ca)  
E-MAIL:  
[info@bestaccessdoors.ca](mailto:info@bestaccessdoors.ca)

# BAC-BFDNHA-DL H2O NON-DRAINABLE FLOOR DOOR



**SPECIFICATIONS:**

- ① **DOOR:** ALUMINUM, 1/4" DIAMOND PLATE, MILL FINISH WITH A H20 LOAD RATING FOR INFREQUENT LOW SPEED TRAFFIC WITH A MAXIMUM DEFLECTION OF L/160.
- ② **FRAME:** ALUMINUM, 1/4" EXTRUSION, EPOXY PAINT FINISH ON EXTERIOR SURFACES THAT COME IN CONTACT WITH CONCRETE.
- ③ **HINGES:** TYPE 316 STAINLESS STEEL.
- ④ **SLAM LATCH:** TYPE 316 STAINLESS STEEL WITH INSIDE LEVER HANDLE AND OUTSIDE REMOVABLE 5/16" SQUARE L HANDLE.
- ⑤ **COUNTER-BALANCE SPRING:** TYPE 17-7 STAINLESS STEEL SPRING ENCLOSED IN A TYPE 316 STAINLESS STEEL TELESCOPING TUBE.
- ⑥ **HOLD-OPEN ARM:** TYPE 316 STAINLESS STEEL.
- ⑦ **ANCHOR:** 4" CONCRETE ANCHOR STRAPS PROVIDED.
- ⑧ **FLUSH LIFTING HANDLE:** TYPE 316 STAINLESS STEEL.

**FLOOR DOOR SIZE:**  
36" (WIDTH) x 36" (LENGTH)

**CLEAR UNOBSTRUCTED OPENING:**  
31" (WIDTH) x 33" (LENGTH)

**CLEAR UNOBSTRUCTED OPENING:**  
36" (WIDTH) x 36" (LENGTH)

