



Quality Access Doors- FAST!

SUBMITTAL/TECHNICAL DATA SHEET

SKU: **BAC-ALR-58**

RECESSED ACCESS DOOR WITH ALUM. FRAME AND DRYWALL INLAY

FOR ALL DRYWALL SURFACES



STANDARD OPTIONS

MATERIAL:
Extruded mill finish aluminum frame and door contour with moisture resistant drywall inlay

HINGE:
Concealed free pivot hinge

LOCK / LATCH:
Concealed push-latch

ODD SIZE AVAILABLE:
These doors are manufactured in 15 business days.

REMOVABLE DOOR:
With retaining cables

PACKAGING:
Individually wrapped, 1 per box

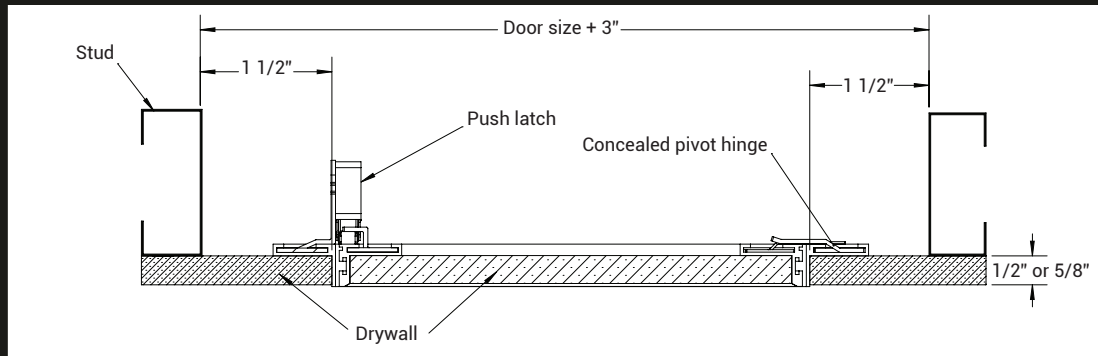
OPTIONS AVAILABLE

LOCK / LATCH:
Cylinder or screwdriver latch

FINISH:
Factory taped, primed door

INSTALLATION

>> [CLICK TO VIEW ADDITIONAL DETAILS AND PRICING <<](#)



DIMENSIONS AND APPEARANCE

For a complete list of options visit www.BestAccessDoors.ca

Scan or Click

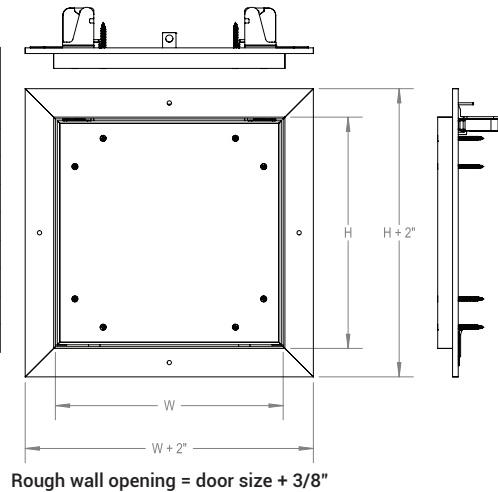


To view Pricing and Additional Product Info.

STANDARD SIZES:

DOOR SIZE W x H INCHES (MM)	WEIGHT LBS 1/2" DRYWALL		WEIGHT LBS 5/8" DRYWALL	
	1/2"	5/8"	1/2"	5/8"
8" x 8" (203 x 203)	2.3	2.8	1.0	1.3
12" x 12" (304 x 304)	3.5	4.4	1.6	2.0
16" x 16" (406 x 406)	4.9	6.5	2.2	3.0
18" x 18" (457 x 457)	5.8	7.8	2.6	3.5
20" x 20" (508 x 508)	6.7	9.1	3.0	4.1
24" x 24" (609 x 609)	8.8	12.2	4.0	5.5
36" x 36" (914 x 914)	16.9	24.2	7.7	11.0
24" x 48" (609 x 1219)	15.5	22.1	7.0	10.0

- * Available for 1/2' and 5/8" drywall
- ** For wall installation, hinges must be located along the floor side (width)
- *** **Hinge location: on the first two digits (width)**



PROJECT DATA

Custom Sizes Available - Fast!

PROJECT NAME :	QTY	W	H	OPTIONS
ARCHITECT :				
DEALER :				
CONTRACTOR :				
LOCATION :	SPECIAL INSTRUCTIONS :			
DATE :				
TAGGING INSTRUCTIONS :	SUBMITTAL APPROVAL : (signature or stamp)			

LEED READY: THIS PRODUCT CONTRIBUTES TO LEED® CREDITS



TELEPHONE:
1-800-483-0823
FAX:
1-888-828-6021



385 WILSON STREET EAST,
SUITE 302
ANCASTER, ON, L9G 2C1
CANADA



WEBSITE:
www.BestAccessDoors.ca
E-MAIL:
info@bestaccessdoors.ca