



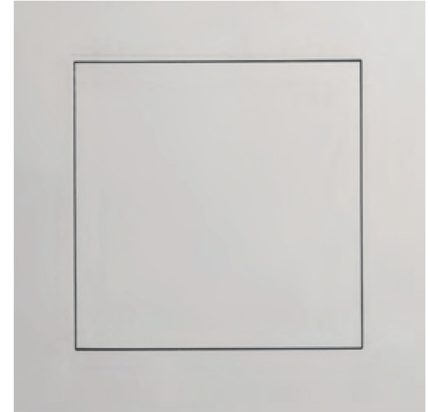
Quality Access Doors- FAST!

# SUBMITTAL/TECHNICAL DATA SHEET

SKU: **BAC-ALR-12**

## RECESSED ACCESS DOOR WITH ALUM. FRAME AND DRYWALL INLAY

FOR ALL DRYWALL SURFACES



### STANDARD OPTIONS

**MATERIAL:**  
Extruded mill finish aluminum frame and door contour with moisture resistant drywall inlay

**HINGE:**  
Concealed free pivot hinge

**LOCK / LATCH:**  
Concealed push-latch

**ODD SIZE AVAILABLE:**  
These doors are manufactured in 15 business days.

**REMOVABLE DOOR:**  
With retaining cables

**PACKAGING:**  
Individually wrapped, 1 per box

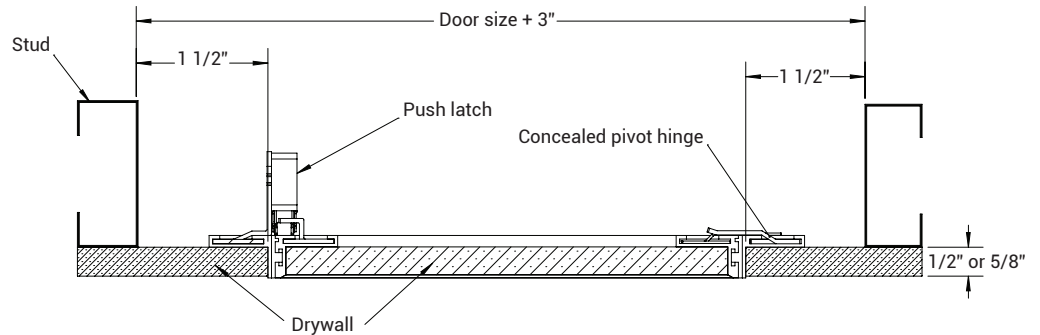
### OPTIONS AVAILABLE

**LOCK / LATCH:**  
Cylinder or screwdriver latch

**FINISH:**  
Factory taped, primed door

### INSTALLATION

>> CLICK TO VIEW ADDITIONAL DETAILS AND PRICING <<



### DIMENSIONS AND APPEARANCE

For a complete list of options visit [www.BestAccessDoors.ca](http://www.BestAccessDoors.ca)

Scan or Click

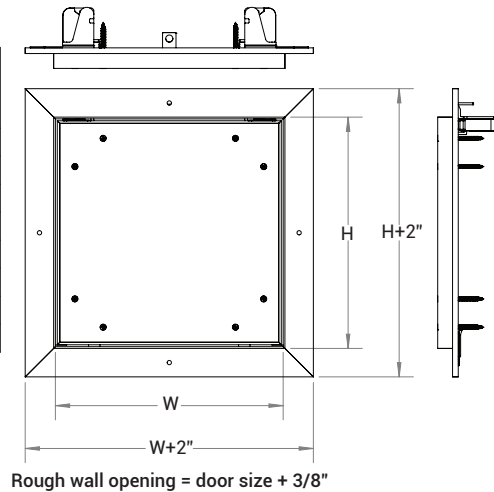


To view Pricing and Additional Product Info.

#### STANDARD SIZES:

DOOR SIZE W x H INCHES (MM)	WEIGHT LBS 1/2" DRYWALL 5/8" DRYWALL		WEIGHT LBS 1/2" DRYWALL 5/8" DRYWALL	
	8" x 8" (203 x 203)	2.3	2.8	1.0
12" x 12" (304 x 304)	3.5	4.4	1.6	2.0
16" x 16" (406 x 406)	4.9	6.5	2.2	3.0
18" x 18" (457 x 457)	5.8	7.8	2.6	3.5
20" x 20" (508 x 508)	6.7	9.1	3.0	4.1
24" x 24" (609 x 609)	8.8	12.2	4.0	5.5
36" x 36" (914 x 914)	16.9	24.2	7.7	11.0
24" x 48" (609 x 1219)	15.5	22.1	7.0	10.0

- \* Available for 1/2' and 5/8" drywall
- \*\* For wall installation, hinges must be located along the floor side (width)
- \*\*\* **Hinge location: on the first two digits (width)**



### PROJECT DATA

Custom Sizes Available - Fast!

PROJECT NAME :	QTY	W	H	OPTIONS
ARCHITECT :				
DEALER :				
CONTRACTOR :				
LOCATION :	SPECIAL INSTRUCTIONS :			
DATE :				
TAGGING INSTRUCTIONS :	SUBMITTAL APPROVAL : (signature or stamp)			

LEED READY: THIS PRODUCT CONTRIBUTES TO LEED® CREDITS



TELEPHONE:  
1-800-483-0823  
FAX:  
1-888-828-6021



385 WILSON STREET EAST,  
SUITE 302  
ANCASTER, ON, L9G 2C1  
CANADA



WEBSITE:  
[www.BestAccessDoors.ca](http://www.BestAccessDoors.ca)  
E-MAIL:  
[info@bestaccessdoors.ca](mailto:info@bestaccessdoors.ca)