



Quality Access Doors- FAST!

# SUBMITTAL/TECHNICAL DATA SHEET

## SPECIFICATIONS

01. Curb, Fully enclosed with integral cap-flashing (corners fully welded) - 10 GA. P.B. Galvanized Steel
02. Cover - 14 GA. P.B. Galv. Steel
03. Cover liner - 12 GA. P.B. Galv. Steel
04. 4" Curb insulation
05. 4" Cover insulation
06. Gasket (all around)
07. Piano hinge
08. Bilclip® flashing system
09. Fixed center drain
10. Gas springs with damper & hold open feature
11. Traction spring
12. Cover restraint cable
13. Cover latch bracket
14. Thermolatch® II positive hold/release mechanism
15. 165° fusible link (extra link provided)
16. Interior pull release cable
17. Exterior pull release cable

### SHOP FINISH:

Steel: Red oxide primer

Hardware: Corrosion resistant

(Unless otherwise specified)

This product may be installed on either a flat or sloping roof. When installed on a slope, The hinge side must run parallel with the slope exceeds 30°, Advise factory for modification.

For a complete list of options visit [www.BestAccessDoors.ca](http://www.BestAccessDoors.ca)

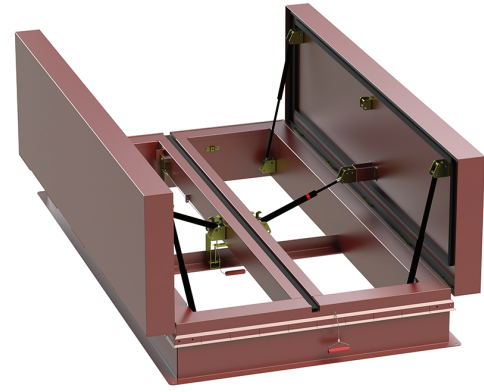
QTY MODEL SIZE (INCHES) WIDTH X LENGTH



SKU: **BAG-ACDSV**

## ACOUSTICAL SMOKE VENT

### DOUBLE LEAF



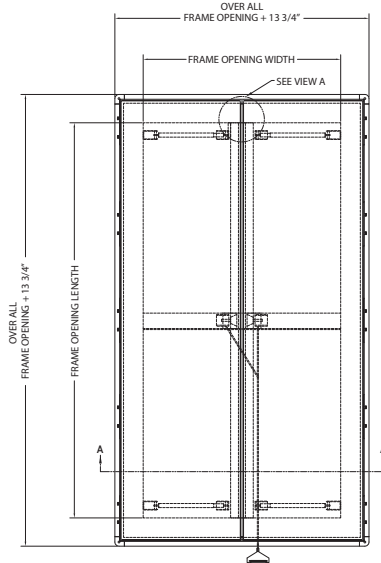
## DIMENSIONS AND APPEARANCE

>> CLICK TO VIEW ADDITIONAL DETAILS AND PRICING <<

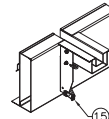
### STANDARD SIZE CHART:

MODEL	SIZE WIDTH X LENGTH
ACDSV4848	4'-0" x 4'-0" [1220mm] X [1220mm]
ACDSV4896	4'-0" x 8'-0" [1220mm] X [2440mm]
ACDSV6096	5'-0" x 8'-0" [1525mm] X [2440mm]
ACDSV7272	6'-0" x 6'-0" [1830mm] X [1830mm]
ACDSV144	5'-6" x 12'-0" [1675mm] X [3660mm]

ACDSV144 HAS (4) COVERS



THERMOLATCH® II  
CURB - MOUNTED RESET



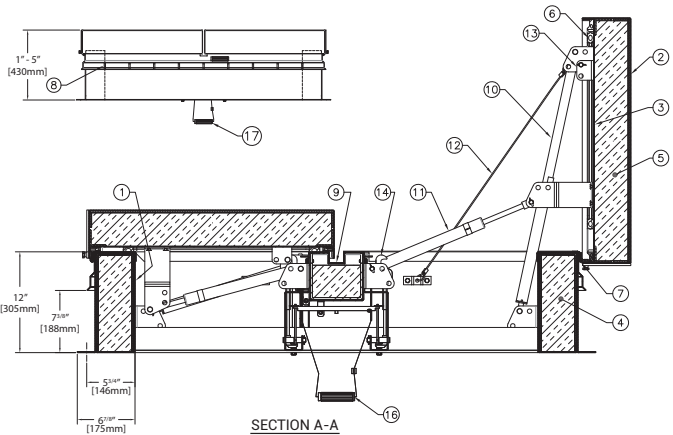
VIEW A

1. THERMOLATCH MECHANISM - COVERS WILL OPERATE ONLY WHEN ACTIVATED
  - A. MANUALLY
  - B. BY HEAT AT 165° FUSIBLE LINK
2. MANUFACTURER O PROVIDE LABEL WITH INSTRUCTIONS TO RESET LATCH ON INTERIOR OF FRAME

### NOTE:

1. COVERS SHALL OPEN AGAINST 10 PSF (49KG/M²) SNOW/WIND LOAD
2. VENT ASSEMBLY RATED FOR 40 PSF (195KG/M²) LIVE LOAD
3. COVERS WILL REMAIN CLOSED UNDER 90 PSF (438KG/M²) WIND UPLIFT FORCE
4. STC-50 SOUND RATING  
OITC-46 SOUND RATING
5. ISO 140-18 RAINFALL SOUND RATING - 37.5DB

FOR DETAILS SEE THE SECOND PAGE



## PROJECT DATA

Custom Sizes Available - Fast!

PROJECT NAME :	QTY	W	H	OPTIONS
ARCHITECT :				
DEALER :				
CONTRACTOR :				
LOCATION :	SPECIAL INSTRUCTIONS :			
DATE :				
TAGGING INSTRUCTIONS :	SUBMITTAL APPROVAL : (signature or stamp)			

TELEPHONE:  
1-800-483-0823

FAX:  
1-888-828-6021

385 WILSON STREET EAST,  
SUITE 302  
ANCASTER, ON, L9G 2C1  
CANADA

WEBSITE:  
[www.BestAccessDoors.ca](http://www.BestAccessDoors.ca)

E-MAIL:  
[info@bestaccessdoors.ca](mailto:info@bestaccessdoors.ca)

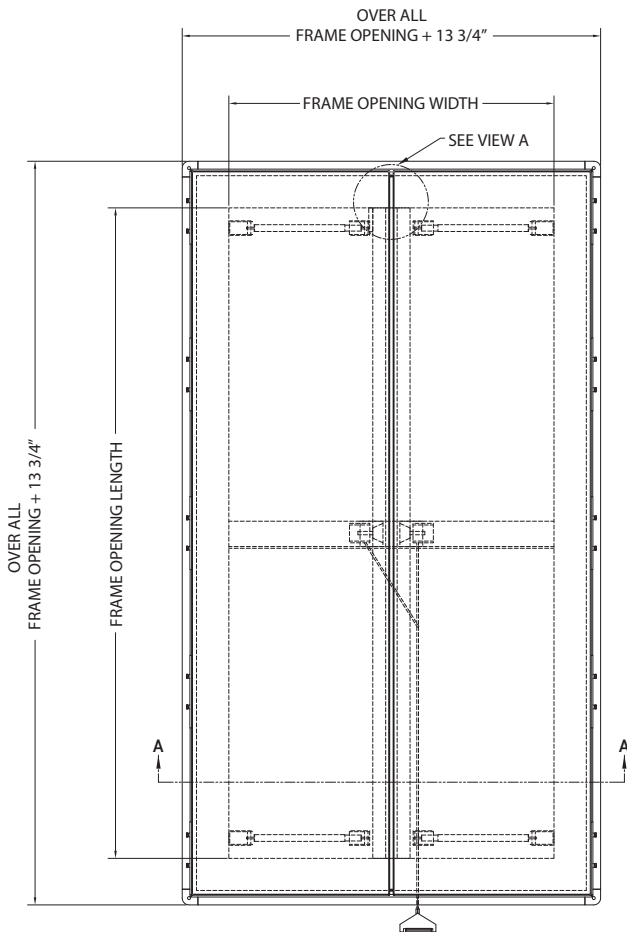
Scan or



To view Pricing and Additional Product Info.

# BAC-ACDSV

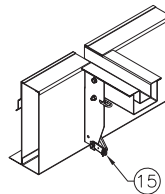
# AUTOMATIC ACOUSTICAL DOUBLE LEAF SMOKE VENT



**NOTE:**

- COVERS SHALL OPEN AGAINST 10 PSF (49KG/M<sup>2</sup>) SNOW/WIND LOAD
- VENT ASSEMBLY RATED FOR 40 PSF (195KG/M<sup>2</sup>) LIVE LOAD
- COVERS WILL REMAIN CLOSED UNDER 90 PSF (438KG/M<sup>2</sup>) WIND UPLIFT FORCE
- STC-50 SOUND RATING  
OITC-46 SOUND RATING
- ISO 140-18 RAINFALL SOUND RATING - 37.5DB

THERMOLATCH® II  
CURB - MOUNTED RESET



VIEW A

- THERMOLATCH MECHANISM - COVERS WILL OPERATE ONLY WHEN ACTIVATED
  - MANUALLY
  - BY HEAT AT 165° FUSIBLE LINK
- MANUFACTURER O PROVIDE LABEL WITH INSTRUCTIONS TO RESET LATCH ON INTERIOR OF FRAME

