

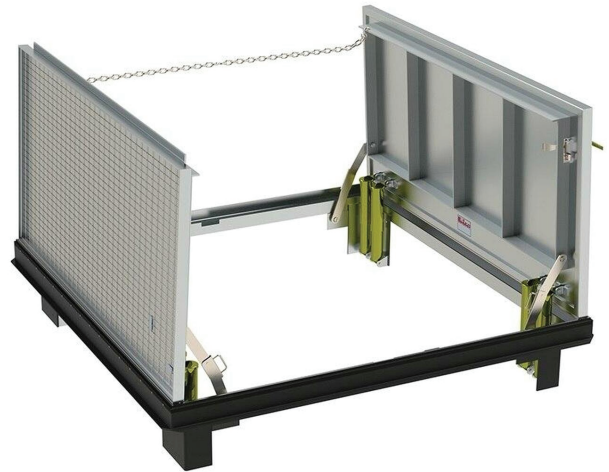


Quality Access Doors- FAST!

SUBMITTAL/TECHNICAL DATA SHEET

SKU: **BAG-TRD**

DOUBLE LEAF ACCESS DOOR



SPECIFICATIONS

01. Automatic lock open arm
02. 1/4" Aluminum cover (cover reinf. for 150 lbs per sq. foot live load)
03. Bilco 1/4" Aluminum channel with extruded 1" anchor flange
04. Standard slam lock
05. Terrazzo reinf. wire mesh (2"x1"x.063 Galv.)
06. Standard slam lock
07. Removable square key wrench
08. Spring lifting mechanism
09. Heavy duty check chain
10. Guide arm (If req'd)

SHOP FINISH:

ALUMINUM: Mill finish

HARDWARE: Non-corrosive materials
(Unless otherwise specified)

Reinforced for 150 Lbs. Per Sq. Ft.
(732 KG. Per Sq. Meter) live load

INSTALLER NOTES:

A. Use caution. Cover is spring loaded. Do not remove safety shipping bolt until unit is to be installed and in normal horizontal operating position.

B. Before anchoring in place open and close door. Check to see that the door in the closed position rests on the frame all around. If not, shim under the frame at the proper corner.

For a complete list of options visit
www.BestAccessDoors.ca

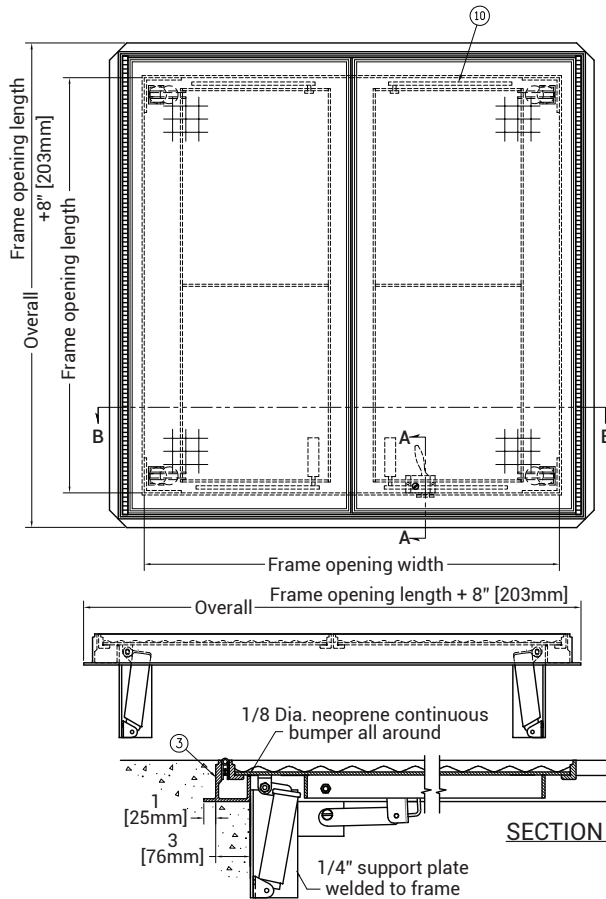
QTY	TYPE	SIZE WIDTH X LENGTH
1	TRD	X HINGE SIDE

TYPE & THICKNESS OF MATERIAL
TO BE INSTALLED IN PAN

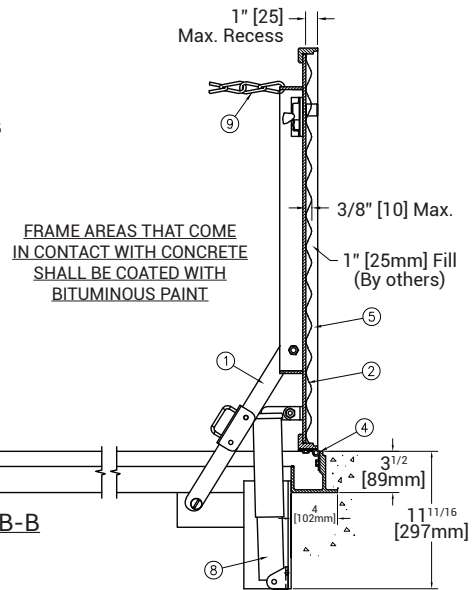
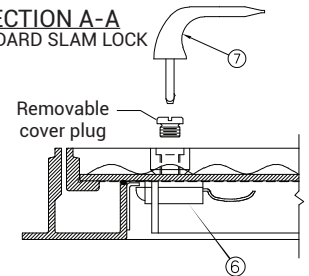
(TOTAL THICKNESS MUST BE 1" [25mm])

DIMENSIONS AND APPEARANCE

>> CLICK TO VIEW ADDITIONAL DETAILS AND PRICING <<



SECTION A-A STANDARD SLAM LOCK



PROJECT DATA

Custom Sizes Available - Fast!

PROJECT NAME :	QTY	W	H	OPTIONS
ARCHITECT :				
DEALER :				
CONTRACTOR :				
LOCATION :	SPECIAL INSTRUCTIONS :			
DATE :				
TAGGING INSTRUCTIONS :	SUBMITTAL APPROVAL : (signature or stamp)			

Scan or Click



BEST ACCESS DOORS

To view Pricing and
Additional Product Info.

TELEPHONE:
1-800-483-0823
FAX:
1-888-828-6021

385 WILSON STREET EAST,
SUITE 302
ANCASTER, ON, L9G 2C1
CANADA



WEBSITE:
www.BestAccessDoors.ca
E-MAIL:
info@bestaccessdoors.ca