

BAC-TD

TECHNICAL DATA SHEET



ALUMINUM
RECESSED DOUBLE
LEAF FLOOR DOOR
FOR CARPET/TILE

SKU: **BAC-TD**



[CLICK TO VIEW PRICING](#)

SPECIFICATIONS

1. EXTRUDED ALUMINUM FRAME
2. 1/4" ALUMINUM SMOOTH PLATE COVER
3. TORSION/CAM OPERATING MECHANISM
4. STANDARD SLAM LOCK
5. REMOVABLE SQUARE KEY WRENCH
6. AUTOMATIC HOLD OPEN ARM W/ RED VINYL GRIP
7. 1/8" X 1" STEEL ANCHOR STRAP
8. CONTINUOUS NEOPRENE CUSHION
9. STEEL CAST HINGES
10. GUARD CHAIN
11. 1/4" X 1 1/4" ASTRAGAL.
12. GUIDE ARM (IF REQ'D)
13. ALUMINUM TILE EDGING AROUND FRAME & COVER.

SHOP FINISH:

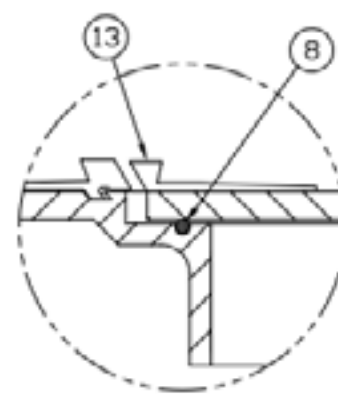
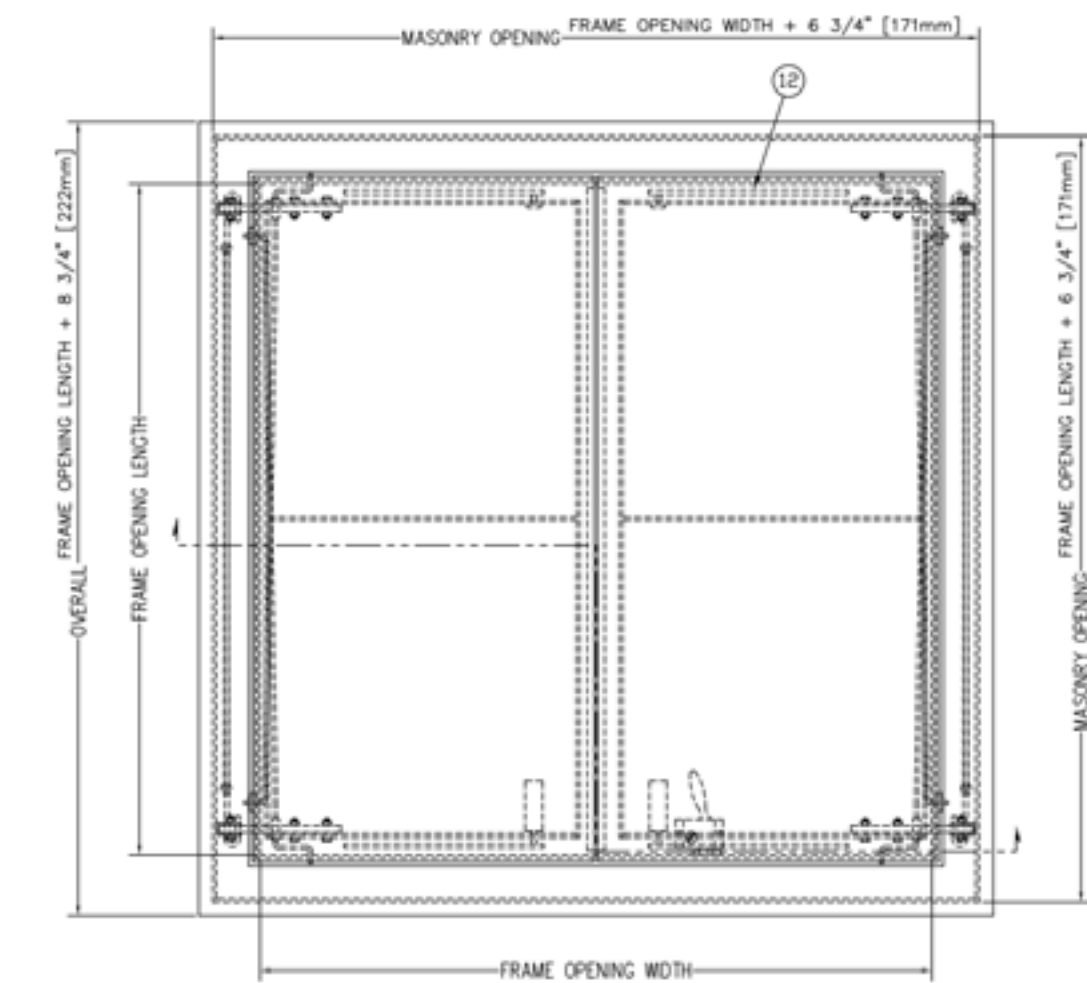
ALUMINUM: MILL FINISH

HARDWARE: ZINC PLATED & CHROMATE SEALED
(UNLESS OTHERWISE SPECIFIED)

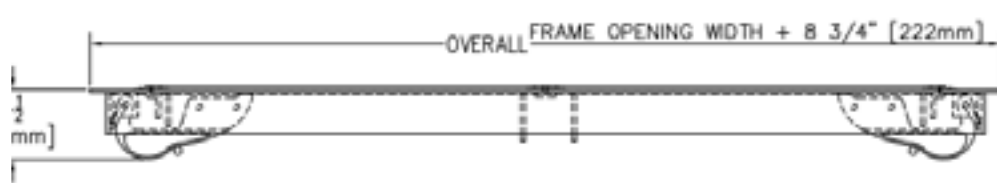
REINFORCED FOR 150 LBS. PER SQ. FT.
(732 KG. PER SQ. METER) LIVE LOAD

INSTALLER NOTES:

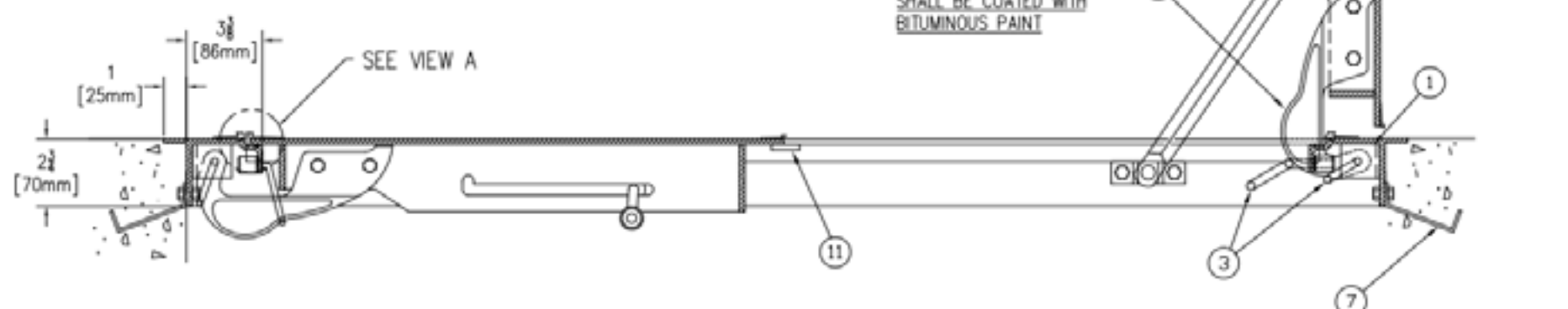
- A. USE CAUTION. COVER IS SPRING LOADED. DO NOT REMOVE SAFETY SHIPPING BOLT UNTIL UNIT IS TO BE INSTALLED AND IN NORMAL HORIZONTAL OPERATING POSITION.
- B. BEFORE ANCHORING IN PLACE OPEN AND CLOSE DOOR. CHECK TO SEE THAT THE DOOR IN THE CLOSED POSITION RESTS ON THE FRAME ALL AROUND. IF NOT, SHIM UNDER THE FRAME AT THE PROPER CORNER.



VIEW A
ENLARGED SECTION OF
NEOPRENE CUSHION
& TILE EDGING



FRAME AREAS THAT COME
IN CONTACT WITH CONCRETE
SHALL BE COATED WITH
BITUMINOUS PAINT



WE ALSO DO
CUSTOM!

Scan to view pricing.



TOLL FREE PHONE:
1-800-483-0823

www.BestAccessDoors.ca