



Quality Access Doors- FAST!

SUBMITTAL/TECHNICAL DATA SHEET

SKU: **BAG-SM-1**

SINGLE LEAF ACCESS DOOR

TYPE SM - SURFACE MOUNT



SPECIFICATIONS

01. 3" x 3" x 1/4" Aluminum angle frame
02. 1/8" Aluminum diamond plate cover
03. Gasket (All around cover)
04. Pintle hinge (S/S)
05. Slam lock with removable handle and cover plug
06. Hold open arm with Red vinyl grip
07. Guide arm (If req'd - Determined by size)
08. Gas strut lifting mechanism (Powder coated)

OPTIONS

(Shown on drawing for reference only)

09. Padlock lugs (Ø1/2" hole, padlock by others)
10. Posts and chains

SHOP FINISH:

ALUMINUM: Mill finish

HARDWARE: Non-corrosive materials
(Unless otherwise specified)

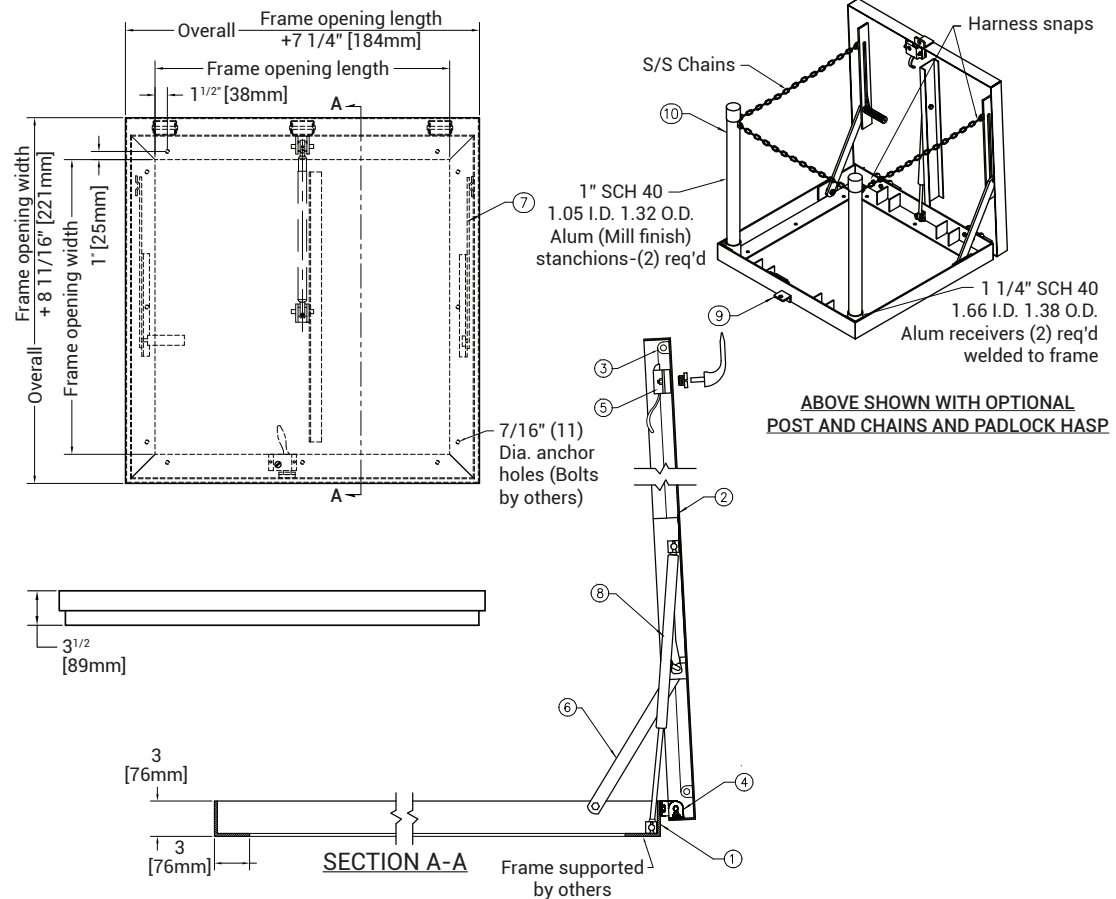
INSTALLER NOTES:

FOLLOW MANUFACTURERS INSTALLATION INSTRUCTIONS, TO BE SUPPLIED WITH UNITS.

For a complete list of options visit www.BestAccessDoors.ca

DIMENSIONS AND APPEARANCE

>> CLICK TO VIEW ADDITIONAL DETAILS AND PRICING <<



QTY	TYPE	SIZE WIDTH X LENGTH
■	SM-1	2'-0" X 2'-0" [610mm] X [610mm]
■	SM-2	2'-6" X 2'-6" [762mm] X [762mm]
■	SM-3	3'-0" X 2'-6" [914mm] X [762mm]
■	SM-4	3'-0" X 3'-0" [914mm] X [914mm]
■	SM-5	3'-6" X 3'-6" [1067mm] X [1067mm]

FOR SIZE LIMITATIONS ON THIS PRODUCT, CONSULT FACTORY

PROJECT DATA

Custom Sizes Available - Fast!

PROJECT NAME :	QTY	W	H	OPTIONS
ARCHITECT :				
DEALER :				
CONTRACTOR :				
LOCATION :	SPECIAL INSTRUCTIONS :			
DATE :				
TAGGING INSTRUCTIONS :	SUBMITTAL APPROVAL : (signature or stamp)			

Scan or Click



To view Pricing and Additional Product Info.

TELEPHONE:
1-800-483-0823

FAX:
1-888-828-6021

385 WILSON STREET EAST,
SUITE 302
ANCASTER, ON, L9G 2C1
CANADA

WEBSITE:
www.BestAccessDoors.ca

E-MAIL:
info@bestaccessdoors.ca