



Quality Access Doors- FAST!

SUBMITTAL/TECHNICAL DATA SHEET

APPLICATION

An innovative surface mounted access door for all types of walls and ceilings

FEATURES

- An exposed continuous piano hinge allows the door panel to open to 175 degrees
- There is no frame to extend into the wall or ceiling
- Perfect for access to odd size openings

SPECIFICATIONS

DOOR / DOOR FRAME: Steel: 16 gauge, flush to frame with rounded safety corners and a one piece outer flange

FRAME: is one piece outer flange

HINGE: Exposed continuous piano hinge

STANDARD LATCH: Stainless steel screwdriver operated cam latch

OPTIONAL LATCHES/LOCKS: Cylinder lock & key, allen head cam latch, spanner head cam latch

FINISH: 5 stage iron phosphate preparation with White alkyd baked-on enamel



SKU: **BAC-SF-2000**

SURFACE MOUNTED ACCESS DOOR



DIMENSIONS AND APPEARANCE

>> CLICK TO VIEW ADDITIONAL DETAILS AND PRICING <<

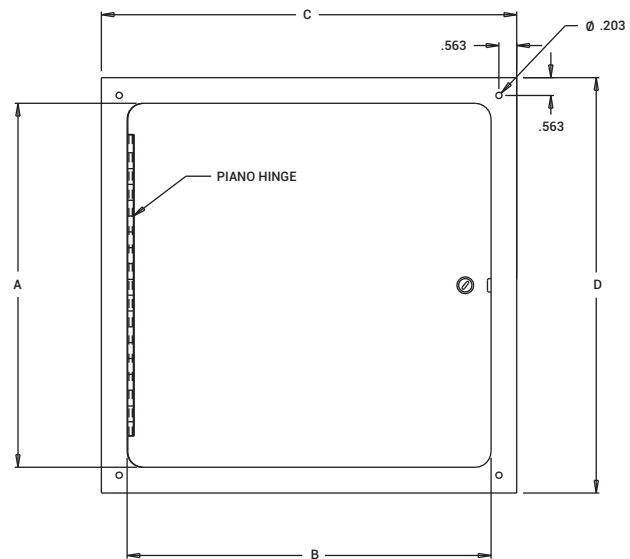
STANDARD SIZES:

DOOR SIZE W x H INCHES (MM)	LATCHES	WEIGHT	
		LBS	KG
12 x 12 (305 x 305)	1	2.0	0.9
16 x 16 (406 x 406)	1	3.9	1.8
18 x 18 (457 x 457)	2	6.3	2.9
24 x 24 (610 x 610)	4	12.7	5.8

Wall opening is normal door size minus - 1/4" (6 mm)
For detailed specifications see submittal sheet



MANUFACTURED BY ACUDOR



For a complete list of options visit www.BestAccessDoors.ca

PROJECT DATA

Custom Sizes Available - Fast!

Scan or Click



To view Pricing and Additional Product Info.

PROJECT NAME :	QTY	W	H	OPTIONS
ARCHITECT :				
DEALER :				
CONTRACTOR :				
LOCATION :	SPECIAL INSTRUCTIONS :			
DATE :				
TAGGING INSTRUCTIONS :	SUBMITTAL APPROVAL : (signature or stamp)			

TELEPHONE:
1-800-483-0823
FAX:
1-888-828-6021



385 WILSON STREET EAST,
SUITE 302
ANCASTER, ON, L9G 2C1
CANADA

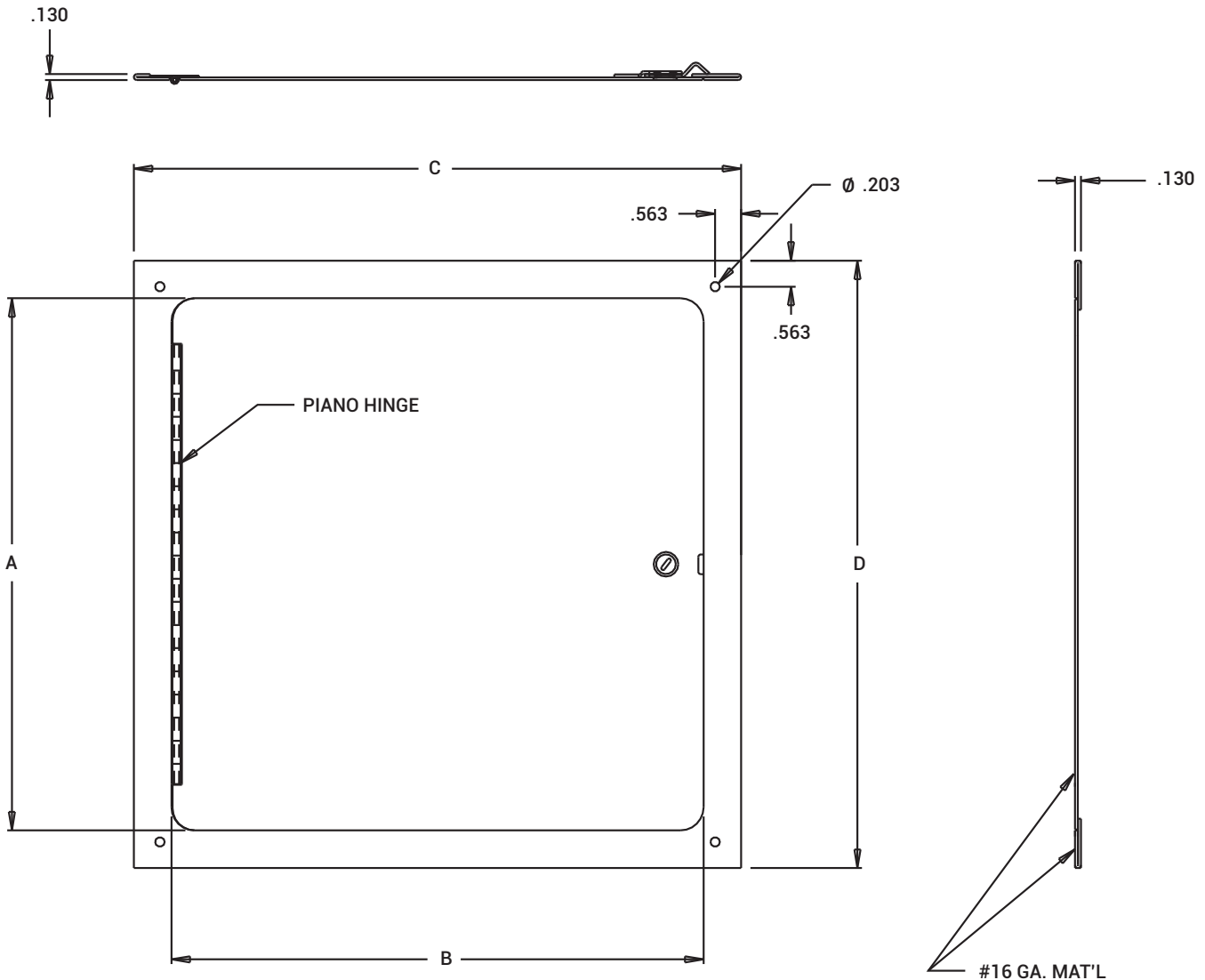


WEBSITE:
www.BestAccessDoors.ca
E-MAIL:
info@bestaccessdoors.ca

BAC-SF-2000

SURFACE MOUNTED

NOMINAL DOOR SIZE	A	B	C	D	WALL/CEILING OPENING	LATCH
Inches (mm)						
8 x 8 (203 x 203)	7.50 (190)	7.50 (190)	9.125 (406)	9.125 (406)	7.5 X 7.5 (191 X 191)	0
12 x 12 (305 x 305)	11.50 (292)	11.50 (292)	13.125 (508)	13.125 (508)	11.5 X 11.5 (292 X 292)	0
16 x 16 (406 x 406)	15.50 (394)	15.50 (394)	17.125 (559)	17.125 (559)	15.5 X 15.5 (394 X 394)	2
18 x 18 (457 x 457)	17.50 (445)	17.50 (445)	19.125 (711)	19.125 (711)	17.5 X 17.5 (444 X 444)	4
24 x 24 (610 x 610)	23.50 (597)	23.50 (597)	25.125 (711)	25.125 (711)	23.5 X 23.5 (497 X 497)	4



MANUFACTURED BY ACUDOR