

# BAC-S

## TECHNICAL DATA SHEET



ALUMINUM COVER WITH  
GALVANIZED STEEL  
MIAMI-DADE APPROVED  
- ROOF HATCH

SKU: **BAC-S**



[CLICK TO VIEW PRICING](#)

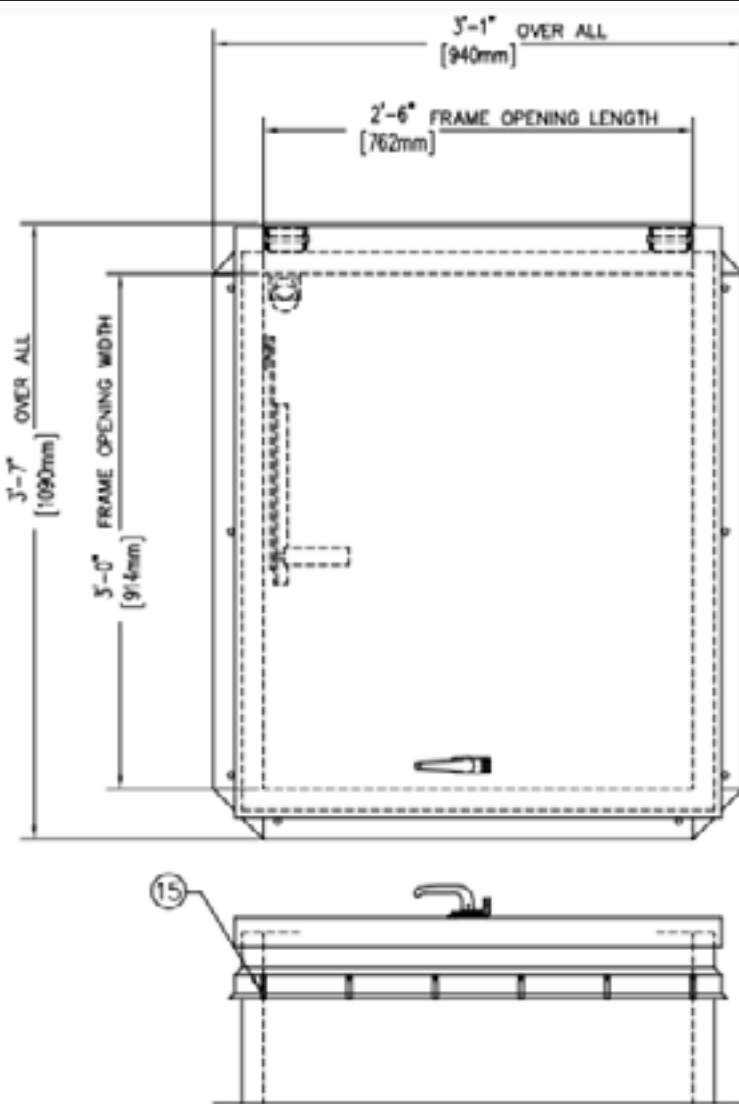
### SPECIFICATIONS

- FRAME W/ CAPFLASHING (CORNERS FULL WELDED)
  - S-20 - 14 GAUGE P.B. GALV. STEEL
  - S-40 - 14 GAUGE P.B. GALV. STEEL
  - S-50 - 11 GAUGE ALUMINUM
  - S-90 - 14 GAUGE TYPE 304 STAINLESS STEEL
- PINTLE HINGE
- GASKET (ALL AROUND COVER)
- COVER GAUGE
  - S-20 - 14 GAUGE P.B. GALV. STEEL
  - S-40 - 11 GAUGE ALUMINUM
  - S-50 - 11 GAUGE ALUMINUM
  - S-90 - 14 GAUGE TYPE 304 STAINLESS STEEL
- COVER LINER
  - S-20 - 22 GAUGE P.B. GALV. STEEL
  - S-40 - 18 GAUGE ALUMINUM
  - S-50 - 18 GAUGE ALUMINUM
  - S-90 - 22 GAUGE TYPE 304 STAINLESS STEEL
- LIFTING MECHANISM WITH REINFORCED COMPOSITE TUBES AND COMPRESSIONS SPRINGS
- 1" RIGID FIBERBOARD INSULATION
- SLAM LATCH
- INSIDE AND OUTSIDE HANDLES W/ PADLOCK HASPS
- ARM GUIDE BRACKET
- 1" THICK FIBERGLASS COVER INSULATION
- HOLD OPEN ARM W/ RED VINYL GRIP
- NEOPRENE GASKET
- LOCK STRIKE & PADLOCK HASP
- BILCLIP® FLASHING SYSTEM

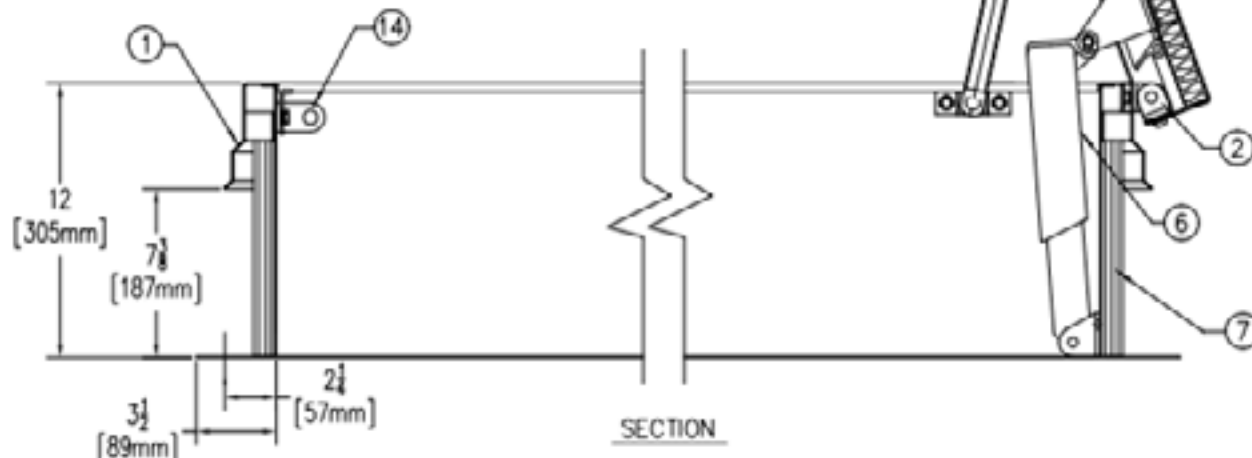
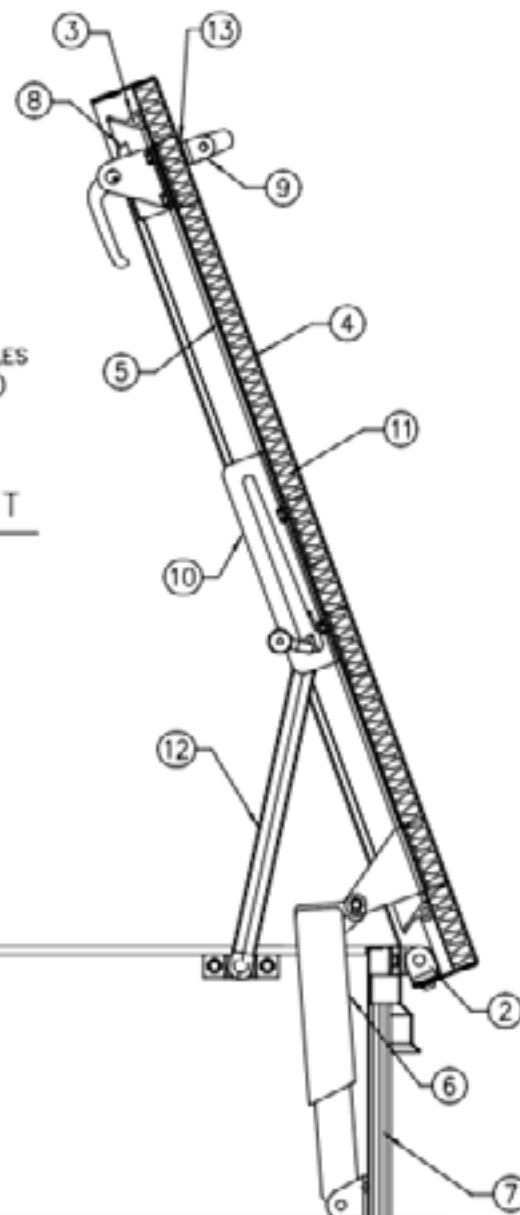
#### SHOP FINISH:

STEEL: RED OXIDE PRIMER  
ALUMINUM: MILL FINISH  
HARDWARE: ZINC PLATED & CHROMATE SEALED (UNLESS OTHERWISE SPECIFIED)  
STAINLESS STEEL: BEADBLAST FINISH  
TYPE 316 S/S HARDWARE

THIS PRODUCT MAY BE INSTALLED ON EITHER A FLAT OR SLOPING ROOF. WHEN INSTALLED ON A SLOPE, THE HINGE SIDE MUST RUN PARALLEL WITH THE SLOPE. IF SLOPE EXCEEDS 30°, ADVISE FACTORY FOR MODIFICATION.



ANCHOR HOLE LAYOUT



MIAMI-DADE PRODUCT APPROVED (NOA NO. 19-1029.10)  
MEETING LARGE AND SMALL MISSILE IMPACT REQUIREMENTS  
FLORIDA PRODUCT APPROVAL #FL15110

TYPE: S-20 AND S-50 ONLY

WE ALSO DO  
**CUSTOM!**

Scan to view pricing.



TOLL FREE PHONE:  
1-800-483-0823

[www.BestAccessDoors.ca](http://www.BestAccessDoors.ca)