



Quality Access Doors- FAST!

# SUBMITTAL/TECHNICAL DATA SHEET

## SPECIFICATIONS

01. Thermally broken curb with integral capflashing 11 ga. aluminum (Corners fully welded)
02. Pintle hinge
03. Gasket (All around cover)
04. Thermally broken cover - 11 aluminum
05. Cover liner 18 gauge aluminum
06. Lifting mechanism with reinforced composite tubes and electrocoated compression springs
07. 3" Polyisocyanurate insulation
08. Slam latch
09. Inside and outside handles with padlock hasps
10. Arm guide bracket
11. 3" Polyisocyanurate cover insulation
12. Hold open arm with Nylon roller and Red vinyl grip
13. Neoprene gasket
14. Anchor tabs

Units Required:  
 SHOP FINISH  
 COVER: Mill finish  
 FRAME: Mill finish  
 HARDWARE: Zinc plated & chromate sealed  
 (Unless otherwise specified)

NOTES:  
 This product may be installed on either a flat or sloping roof. When installed on a slope, the hinge side must run parallel with the slope. If slope exceeds 30°, advise factory for modification.

For a complete list of options visit [www.BestAccessDoors.ca](http://www.BestAccessDoors.ca)

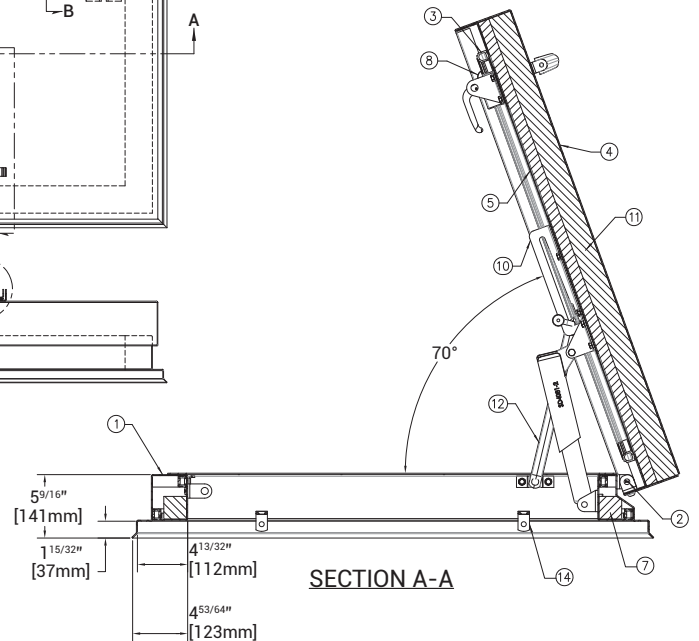
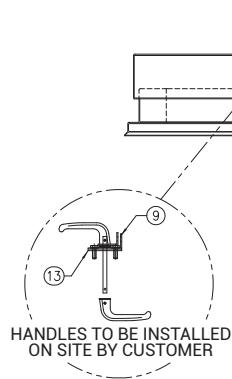
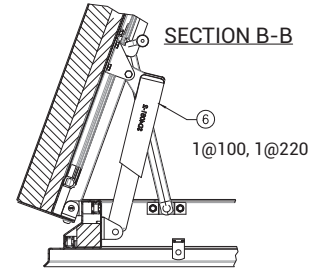
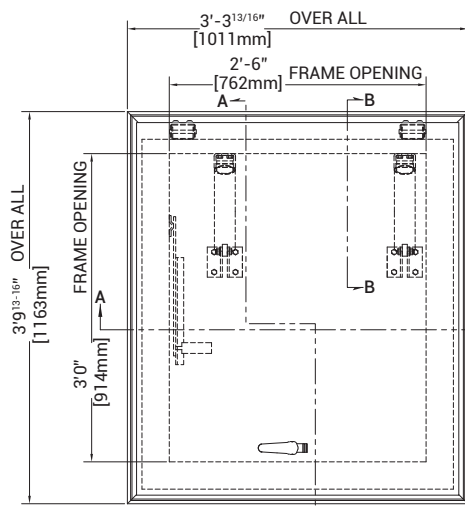
QTY	TYPE	SIZE WIDTH X LENGTH
	S-50VMTB	3'-0" X 2'-6" 914mm X 762mm



SKU: **BAG-S-50VMTB**  
**SINGLE LEAF ROOF SCUTTLE**

## DIMENSIONS AND APPEARANCE

>> CLICK TO VIEW ADDITIONAL DETAILS AND PRICING <<



## PROJECT DATA

Custom Sizes Available - Fast!

PROJECT NAME :	QTY	W	H	OPTIONS
ARCHITECT :				
DEALER :				
CONTRACTOR :				
LOCATION :	SPECIAL INSTRUCTIONS :			
DATE :				
TAGGING INSTRUCTIONS :	SUBMITTAL APPROVAL : (signature or stamp)			

Scan or Click



To view Pricing and Additional Product Info.

TELEPHONE:  
1-800-483-0823  
 FAX:  
1-888-828-6021

385 WILSON STREET EAST,  
 SUITE 302  
 ANCASTER, ON, L9G 2C1  
 CANADA

WEBSITE:  
[www.BestAccessDoors.ca](http://www.BestAccessDoors.ca)  
 E-MAIL:  
[info@bestaccessdoors.ca](mailto:info@bestaccessdoors.ca)