



Quality Access Doors- FAST!

SUBMITTAL/TECHNICAL DATA SHEET

SPECIFICATIONS

- 01. 1 1/4" Schedule 40 pipe in 6061 T6 aluminum alloy rails
- 02. Self closing gate
- 03. Aluminum post supports
- 04. Corner brackets
- 05. Stainless steel spring hinges
- 06. Cast aluminum gate latch with stainless steel pin

NOTES:

- 01. Top of rail to be set 42" above the roof surface or deck
- 02. Left hand gate shown
- 03. All fasteners are stainless steel
- 04. All parts and fasteners are included in package. Capflashing must be structurally sound to support assembly
- 05. Powder coat finish in ral 1018, Safety yellow

ROOF SCUTTLE NOT INCLUDED

For a complete list of options visit www.BestAccessDoors.ca

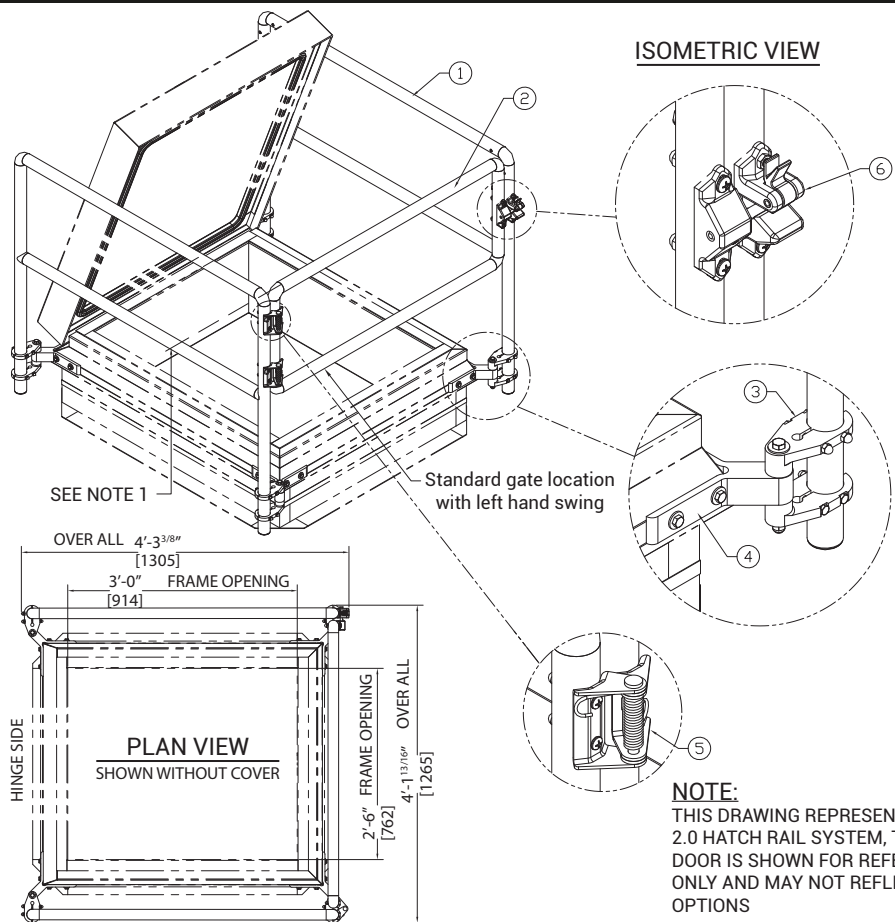
QTY	TYPE	SIZE (INCHES) WIDTH X LENGTH
█	RL2-STB	3'-0" X 2'-6" [914MM X 762MM] HINGE SIDE



SKU: **BAG-RL2-STB**
RAIL SYSTEM HATCH

DIMENSIONS AND APPEARANCE

>> [CLICK TO VIEW ADDITIONAL DETAILS AND PRICING](#) <<



PROJECT DATA

Custom Sizes Available - Fast!

PROJECT NAME :	QTY	W	H	OPTIONS
ARCHITECT :				
DEALER :				
CONTRACTOR :				
LOCATION :	SPECIAL INSTRUCTIONS :			
DATE :	SUBMITTAL APPROVAL : (signature or stamp)			
TAGGING INSTRUCTIONS :				

Scan or Click



To view Pricing and Additional Product Info.

TELEPHONE:
1-800-483-0823

FAX:
1-888-828-6021

385 WILSON STREET EAST,
SUITE 302
ANCASTER, ON, L9G 2C1
CANADA



WEBSITE:
www.BestAccessDoors.ca

E-MAIL:
info@bestaccessdoors.ca