



Quality Access Doors- FAST!

# SUBMITTAL/TECHNICAL DATA SHEET

## SPECIFICATIONS

01. 1 1/4" Schedule 40 pipe in 6061 T6 aluminum alloy rails
02. Self closing gate
03. Aluminum post supports
04. Corner brackets
05. Stainless steel spring hinges
06. Cast aluminum gate latch with stainless steel pin

### NOTES:

01. Top of rail to be set 42" above the roof surface or deck
02. Left hand gate shown
03. All fasteners are stainless steel
04. All parts and fasteners are included in package. Capflashing must be structurally sound to support assembly
05. Powder coat finish in ral 1018, Safety yellow

ROOF SCUTTLE NOT INCLUDED

For a complete list of options visit [www.BestAccessDoors.ca](http://www.BestAccessDoors.ca)

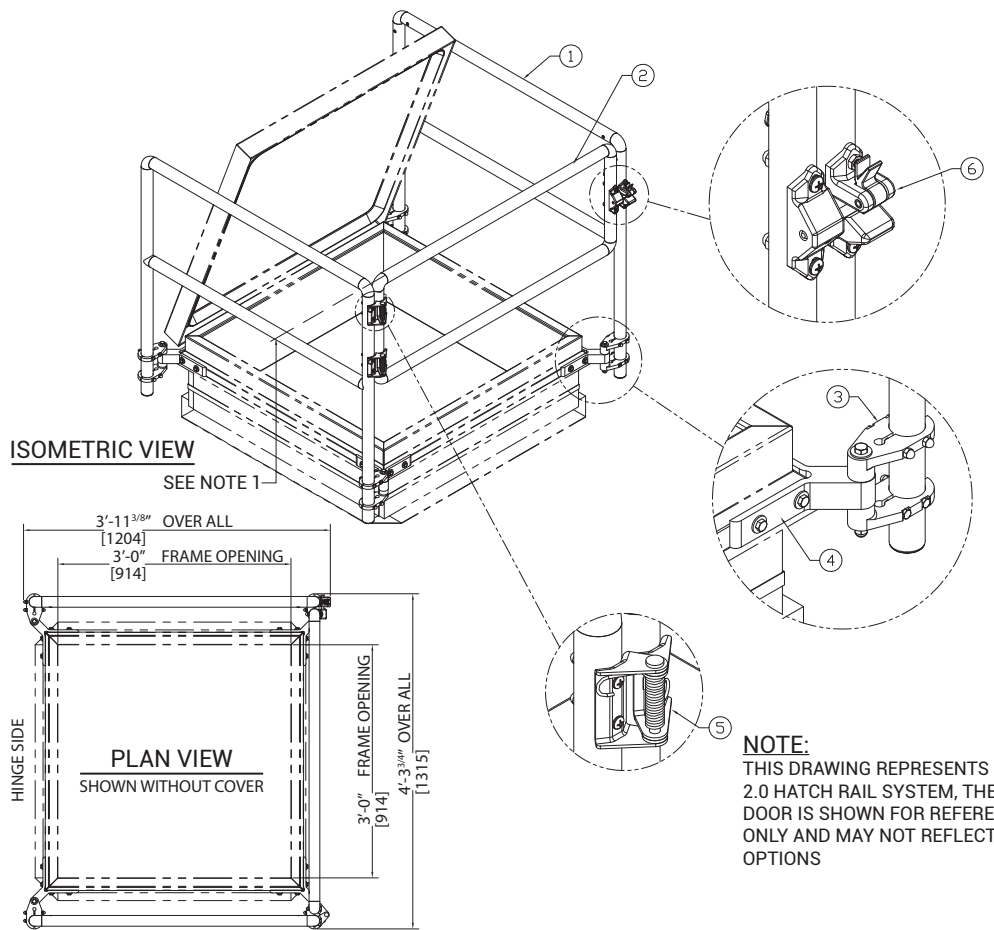
QTY	TYPE	SIZE (INCHES) WIDTH X LENGTH
	RL2-E	3'-0" X 3'-0" [914MM X 914MM] HINGE SIDE



SKU: **BAG-RL2-E**  
**RAIL SYSTEM HATCH**

## DIMENSIONS AND APPEARANCE

>> [CLICK TO VIEW ADDITIONAL DETAILS AND PRICING](#) <<



## PROJECT DATA

Custom Sizes Available - Fast!

PROJECT NAME :	QTY	W	H	OPTIONS
ARCHITECT :				
DEALER :				
CONTRACTOR :				
LOCATION :	SPECIAL INSTRUCTIONS :			
DATE :	SUBMITTAL APPROVAL : (signature or stamp)			
TAGGING INSTRUCTIONS :				

Scan or Click



To view Pricing and Additional Product Info.

TELEPHONE:  
1-800-483-0823

FAX:  
1-888-828-6021

385 WILSON STREET EAST,  
SUITE 302  
ANCASTER, ON, L9G 2C1  
CANADA



WEBSITE:  
[www.BestAccessDoors.ca](http://www.BestAccessDoors.ca)

E-MAIL:  
[info@bestaccessdoors.ca](mailto:info@bestaccessdoors.ca)