



Quality Access Doors- FAST!

# SUBMITTAL/TECHNICAL DATA SHEET

## APPLICATION

Our Ladder Access Roof Hatches are designed to provide convenient, economical access to the roof of a building

## FEATURES

- Weather tight construction
- Convenient one-hand operation
- 12" high insulated curb
- Supports 40lbs./sq. ft. live load

## OPTIONAL FEATURES

- Stainless Steel cover, curb, and/or hardware
- Polycarbonate domes for daylighting
- Louvered Curbs
- Curb Mounted Units
- Curb pitch corrected for sloped roof
- Higher curb heights for "green roof" applications

## SPECIFICATIONS

**COVER:** Double-skin construction ("in box type design") with 1" Polyiso (R-6) insulation and a continuous EPDM foam weather/draft seal gasket that is attached to the inside of cover to provide a flush, tight fit. Designed to support a live load of 40lbs./sq. ft., the cover is 14 gauge galvanized steel with a 22 gauge galvanized steel inside liner.

**CURB:** 14 gauge galvanized steel with 1" thick fiberboard roof insulation at curb exterior. Curb is 12" high, with 3.375" wide bottom flange and pre-drilled mounting holes.

**HINGE:** Heavy duty galvanized steel pintle hinges with 3/8" pin

**OPENING:** Gas spring operators allow cover to open and close with ease. Inside pull handle allows for easy control when closing cover.

**DOOR LATCH:** Self latching, zinc plated outside T handle with stainless steel inside lock and lever assembly. Unit also has inside and outside padlock provisions.

**FINISH:** Material is prepared with an iron phosphate wash, followed by a rust inhibiting primer, and then a baked on polyester enamel grey paint.

SKU: **BAC-RHG**

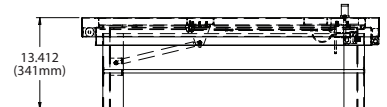
# GALVANIZED LADDER ACCESS ROOF HATCH



## DIMENSIONS AND APPEARANCE

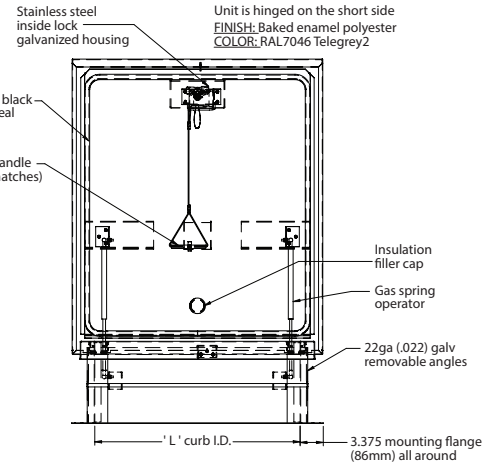
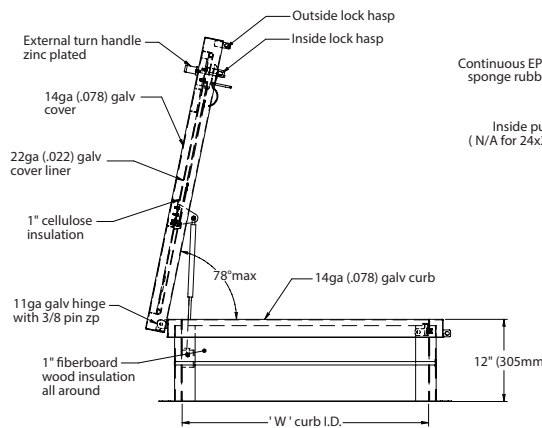
>> CLICK TO VIEW ADDITIONAL DETAILS AND PRICING <<

MODEL	CURB ID L&W INCHES (MM)	WEIGHT	
		LBS	KG
G3232	24 x 24 (610 x 610)	125	56.8
G3238	24 x 30 (610 x 762)	130	58.9
G3244	24 x 36 (610 x 914)	135	61.4
G3838	30 x 30 (762 x 762)	140	63.5
G3844	30 x 36 (762 x 914)	155	70.5
G4444	36 x 36 (914 x 914)	170	77.3



For detailed specifications see submittal sheet

### MANUFACTURED BY ACUDOR



**ASSEMBLY NOTE:**  
Unit shall be completely assembled as shown and supplied to job ready for installation. Unit is hinged on the short side.  
**FINISH:** Baked enamel polyester  
**COLOR:** RAL7046 Telegrey2

For a complete list of options visit [www.BestAccessDoors.ca](http://www.BestAccessDoors.ca)

## PROJECT DATA

Custom Sizes Available - Fast!

Scan or Click



PROJECT NAME :	QTY	W	H	OPTIONS
ARCHITECT :				
DEALER :				
CONTRACTOR :				
LOCATION :	SPECIAL INSTRUCTIONS :			
DATE :				
TAGGING INSTRUCTIONS :	SUBMITTAL APPROVAL : (signature or stamp)			

TELEPHONE:  
1-800-483-0823  
FAX:  
1-888-828-6021

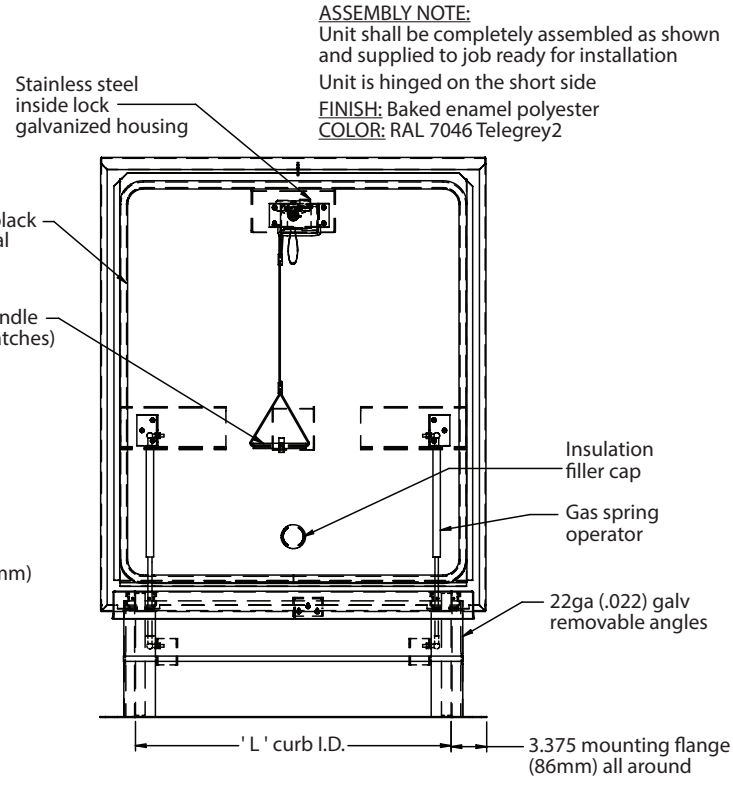
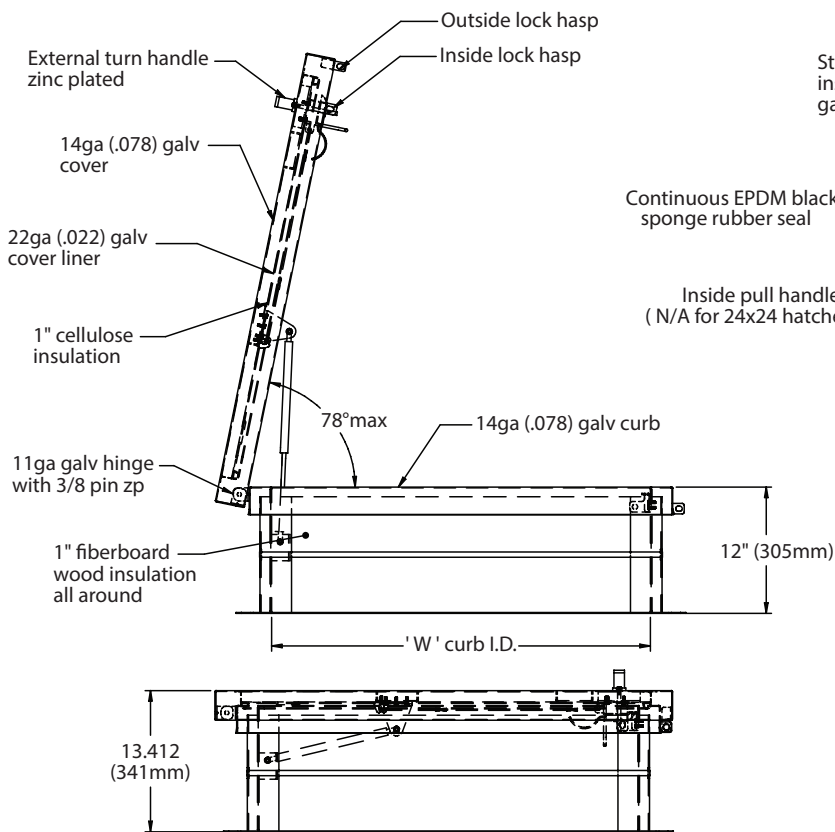
385 WILSON STREET EAST,  
SUITE 302  
ANCASTER, ON, L9G 2C1  
CANADA

WEBSITE:  
[www.BestAccessDoors.ca](http://www.BestAccessDoors.ca)  
E-MAIL:  
[info@bestaccessdoors.ca](mailto:info@bestaccessdoors.ca)

To view Pricing and Additional Product Info.

# BAC-RHG LADDER ACCESS ROOF HATCH GALVANIZED

QTY	OPENING WIDTH 'W'	OPENING LENGTH 'L'	QTY	OPENING WIDTH 'W'	OPENING LENGTH 'L'
	24" (601mm)	24" (601mm)		36" (914mm)	36" (914mm)
	36" (601mm)	24" (914mm)			
	30" (762mm)	30" (762mm)			
	36" (762mm)	30" (762mm)			



**ASSEMBLY NOTE:**  
 Unit shall be completely assembled as shown and supplied to job ready for installation  
 Unit is hinged on the short side  
 FINISH: Baked enamel polyester  
 COLOR: RAL 7046 Telegrey2

MANUFACTURED BY ACUDOR