



Quality Access Doors- FAST!

SUBMITTAL/TECHNICAL DATA SHEET

SKU: **BAC-RHG-SH**

GALVANIZED SHIP STAIR ACCESS ROOF HATCH



APPLICATION

Acudor Ship Stair Roof Hatches are designed to provide convenient, economical access to the roof of a building for maintenance.

FEATURES

- Weather tight construction
- Convenient one-hand operation
- 12" high insulated curb
- Supports 40lbs./sq. ft. live load
- G90 Galv. Steel
- Stainless Steel Hardware

SPECIFICATIONS

COVER: Double-skin construction ("in box type design") with 1" Polyiso (R-6) insulation and a continuous EPDM foam weather/draft seal gasket that is attached to the inside of cover to provide a flush, tight fit. Designed to support a live load of 40lbs./sq. ft., the cover is 14 gauge galvanized steel with a 22 gauge galvanized steel inside liner.

CURB: 14 gauge galvanized steel with 1" thick Polyiso (R-6) insulation with Fiberglass liner at curb exterior. Curb is 12" high, with 3.375" wide bottom flange and pre-drilled mounting holes.

HINGE: Heavy duty galvanized steel pintle hinges with 3/8" SS pin.

OPENING: Gas spring operators allow cover to open and close with ease. Stainless Steel inside pull handle allows for easy control when closing cover.

DOOR LATCH: Self latching, zinc plated outside T handle with stainless steel inside lock and lever assembly. Heavy duty detention lock with paracentric key. Unit also has inside and outside padlock provisions.

FINISH: Material is prepared with an iron phosphate wash, followed by a rust inhibiting primer, and then a baked on polyester enamel paint.

DIMENSIONS AND APPEARANCE

>> CLICK TO VIEW ADDITIONAL DETAILS AND PRICING <<

STANDARD SIZES:

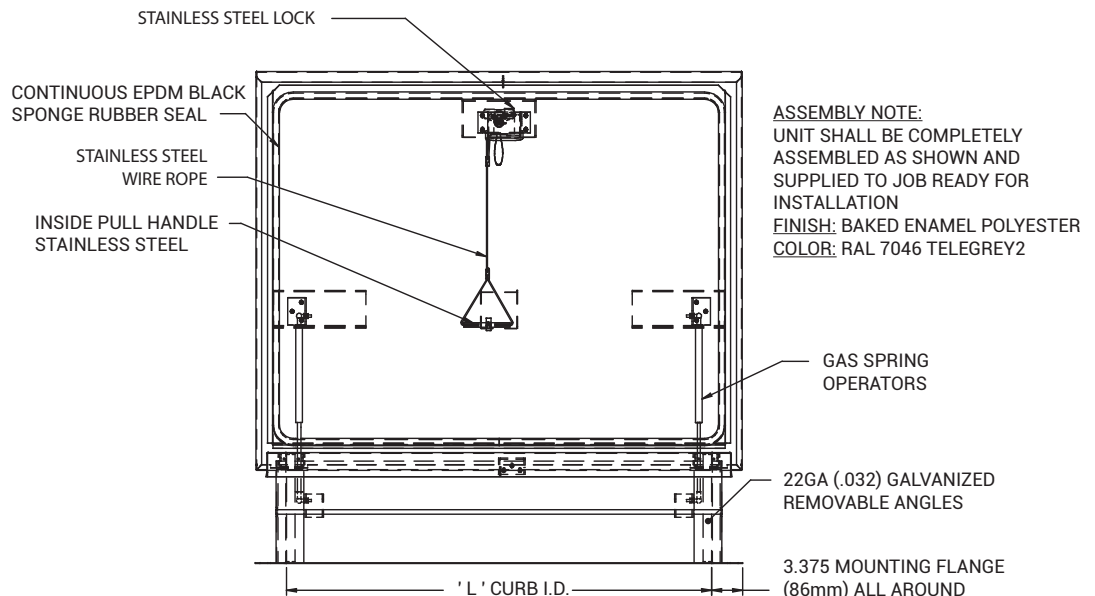
MODEL	CURB ID L&W INCHES (MM)	WEIGHT	
		LBS	KG
G3862	30 x 54 (762 x 1372)	225	102.3

OPTIONAL FEATURES

- Stainless Steel cover, curb
- Polycarbonate domes for daylighting
- Louvered Curbs
- Curb Mounted Units
- Curb pitch corrected for sloped roof
- Higher curb heights for "green roof" applications

For detailed specifications see submittal sheet

MANUFACTURED BY ACUDOR



For a complete list of options visit www.BestAccessDoors.ca

PROJECT DATA

Custom Sizes Available - Fast!

Scan or Click



PROJECT NAME :	QTY	W	H	OPTIONS
ARCHITECT :				
DEALER :				
CONTRACTOR :				
LOCATION :	SPECIAL INSTRUCTIONS :			
DATE :				
TAGGING INSTRUCTIONS :	SUBMITTAL APPROVAL : (signature or stamp)			

TELEPHONE:
1-800-483-0823
FAX:
1-888-828-6021

385 WILSON STREET EAST,
SUITE 302
ANCASTER, ON, L9G 2C1
CANADA

WEBSITE:
www.BestAccessDoors.ca
E-MAIL:
info@bestaccessdoors.ca

To view Pricing and Additional Product Info.

BAC-RHG-SH SHIP STAIR ACCESS ROOF HATCH GALVANIZED

QTY	OPENING WIDTH 'W'	OPENING LENGTH 'L'	QTY	OPENING WIDTH 'W'	OPENING LENGTH 'L'
	30" (762mm)	54" (1372mm)			

