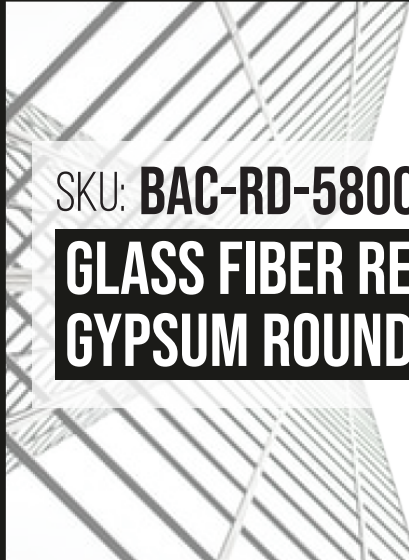




Quality Access Doors- FAST!

SUBMITTAL/TECHNICAL DATA SHEET



SKU: **BAC-RD-580012**

GLASS FIBER REINFORCED GYPSUM ROUND PANEL

APPLICATION

Glass fiber reinforced gypsum, ceiling access doors are designed to blend seamlessly into drywall ceilings

FEATURES

- Tapered edge for joint tape
- Easily textured
- Lightweight
- No cracking or shrinkage
- Mold and moisture resistant

SPECIFICATIONS

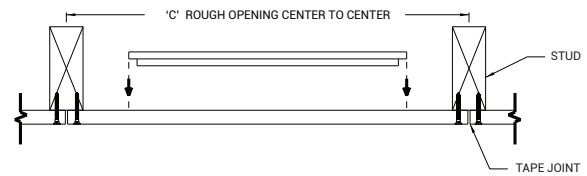
- Shell Thickness = .125" .375"
- Fastener Test Pull Out (wood stud) = 525 lb. avg.
- Fastener Test Pull Out (metal stud) = 525 lb. avg.
- Fastener Push Through Test = 350 lb. avg.
- Fuel Contribution (ASTM-E84-80) = 0
- Flame Spread (ASTM-E84-80) = 0
- Smoke Index (ASTM-E84-80) = 0
- Combustion (ASTM-E84-80) = 0

DIMENSIONS AND APPEARANCE

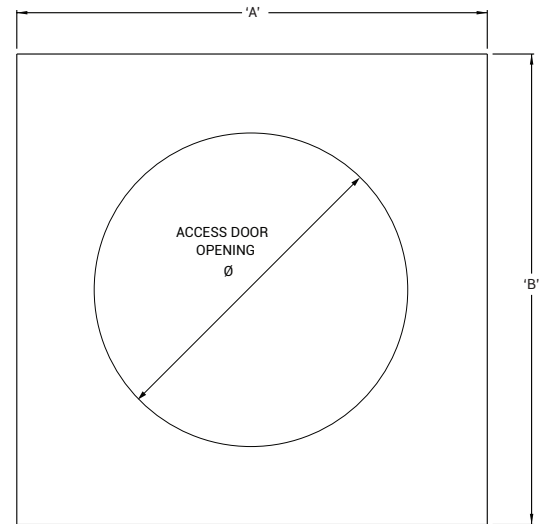
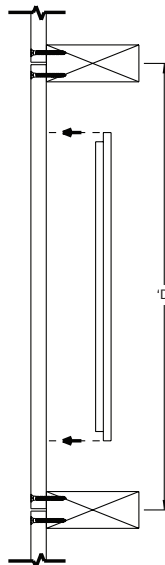
>> CLICK TO VIEW ADDITIONAL DETAILS AND PRICING <<

| DOOR SIZE Inc. (mm) | CEILING OPENING Inc. (mm) | WEIGHT | |
|------------------------|------------------------------|--------|------|
| | | LBS | KG |
| Ø9 (229) | 15 x 15 (381 x 381) | 6.00 | 2.73 |
| Ø12 (305) | 18 x 18 (457 x 457) | 9.00 | 4.09 |
| Ø16 (406) | 22 x 22 (559 x 559) | 10.0 | 4.53 |
| Ø18 (457) | 24 x 24 (610 x 610) | 11.0 | 5.00 |
| Ø24 (610) | 30 x 30 (762 x 762) | 16.0 | 7.27 |

For detailed specifications see submittal sheet



MANUFACTURED BY ACUDOR



For a complete list of options visit www.BestAccessDoors.ca

PROJECT DATA

Custom Sizes Available - Fast!

| | | | | |
|------------------------|--|---|---|---------|
| PROJECT NAME : | QTY | W | H | OPTIONS |
| ARCHITECT : | | | | |
| DEALER : | | | | |
| CONTRACTOR : | | | | |
| LOCATION : | SPECIAL INSTRUCTIONS : | | | |
| DATE : | | | | |
| TAGGING INSTRUCTIONS : | SUBMITTAL APPROVAL : (signature or stamp) | | | |

Scan or Click



To view Pricing and Additional Product Info.

TELEPHONE:
1-800-483-0823
FAX:
1-888-828-6021



385 WILSON STREET EAST,
SUITE 302
ANCASTER, ON, L9G 2C1
CANADA

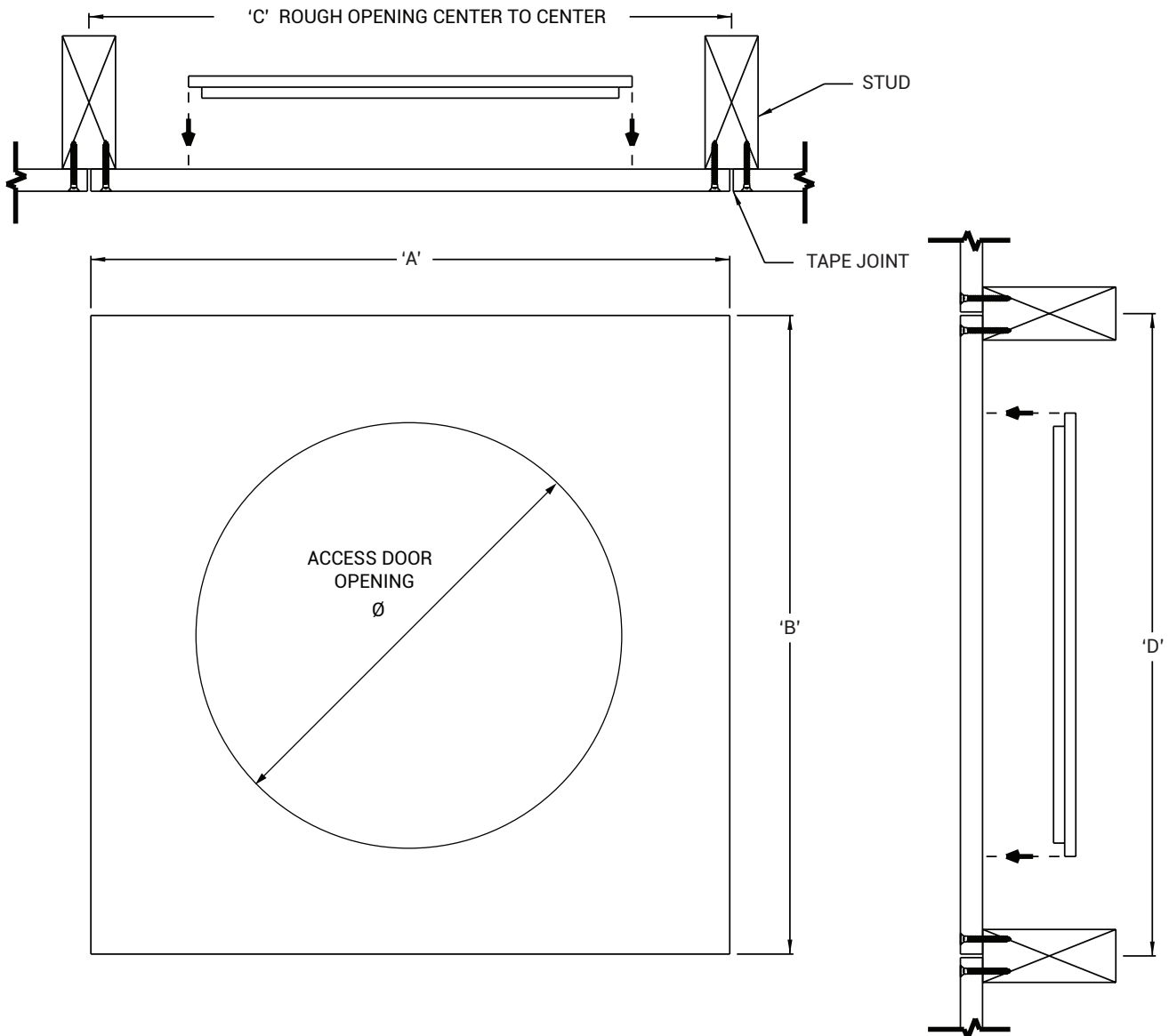


WEBSITE:
www.BestAccessDoors.ca
E-MAIL:
info@bestaccessdoors.ca

BAC-RD-580012

ROUND POP-OUT ACCESS PANEL

| NOMINAL DOOR SIZE | A | B | C | D |
|--------------------|-------------|-------------|-------------|-------------|
| 9" Diameter (406) | 15.00 (381) | 15.00 (381) | 15.00 (381) | 15.00 (381) |
| 12" Diameter (457) | 18.00 (457) | 18.00 (457) | 18.00 (457) | 18.00 (457) |
| 16" Diameter (610) | 22.00 (559) | 22.00 (559) | 22.00 (559) | 22.00 (559) |
| 18" Diameter (559) | 24.00 (609) | 24.00 (609) | 24.00 (609) | 24.00 (609) |
| 24" Diameter (762) | 30.00 (762) | 30.00 (762) | 30.00 (762) | 30.00 (762) |



MANUFACTURED BY ACUDOR