

BAC-Q

TECHNICAL DATA SHEET



STEEL STANDARD
NON-DRAINAGE
FLOOR DOOR

SKU: **BAC-Q**



[CLICK TO VIEW PRICING](#)

SPECIFICATIONS

1. 1/4" x 3" x 3" steel angle frame
2. 1/4" steel diamond plate cover.
3. Torsion/cam operating mechanism
4. Standard slam lock
5. Removable square key wrench
6. automatic hold open arm w/ red vinyl grip
7. 3/8" dia. steel anchor strap.
8. 3/8" x 3/4" steel cover support bar. (3 sides)
9. Steel cast hinges
10. Lock strike
11. Guide arm (if req'd)

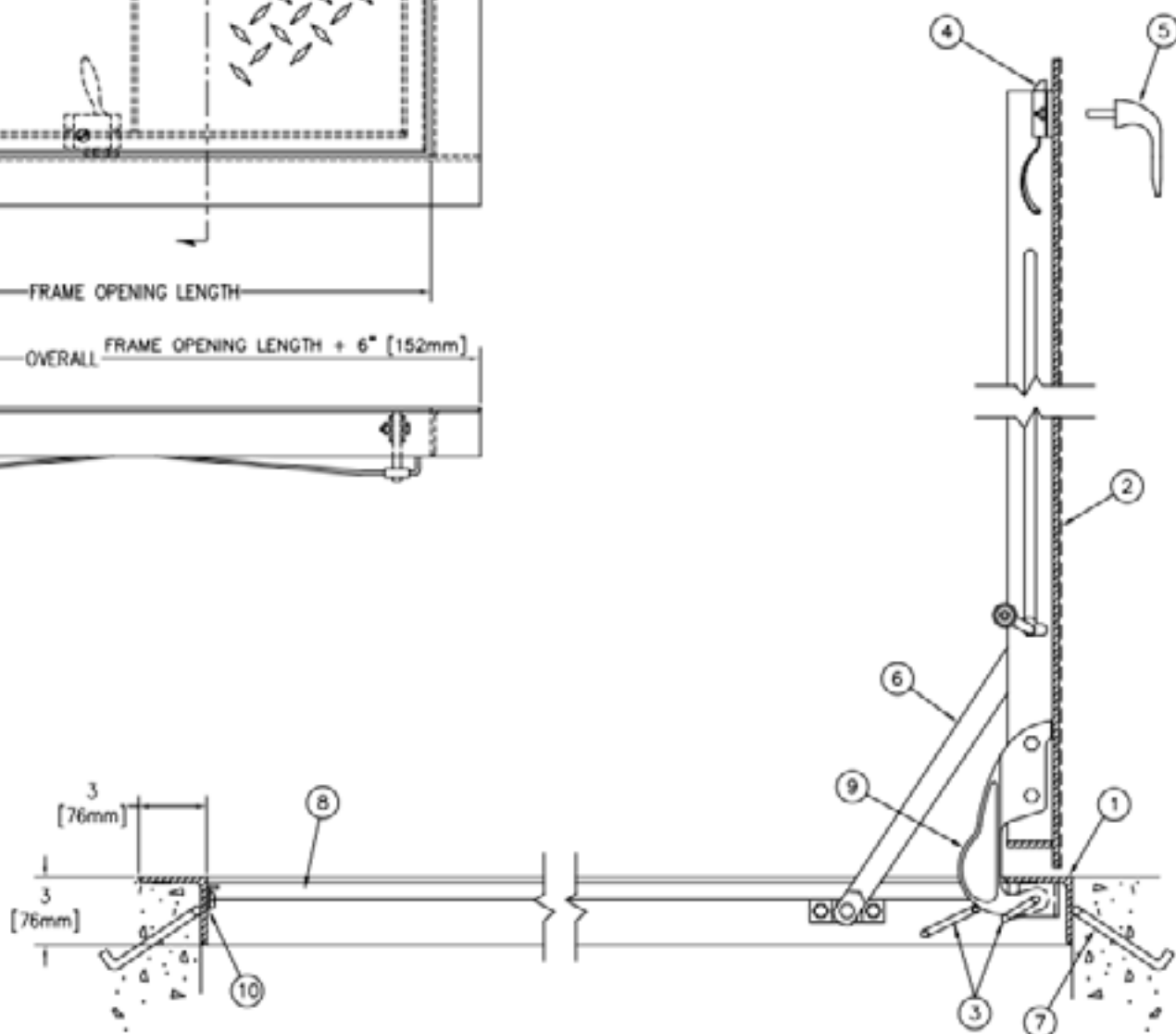
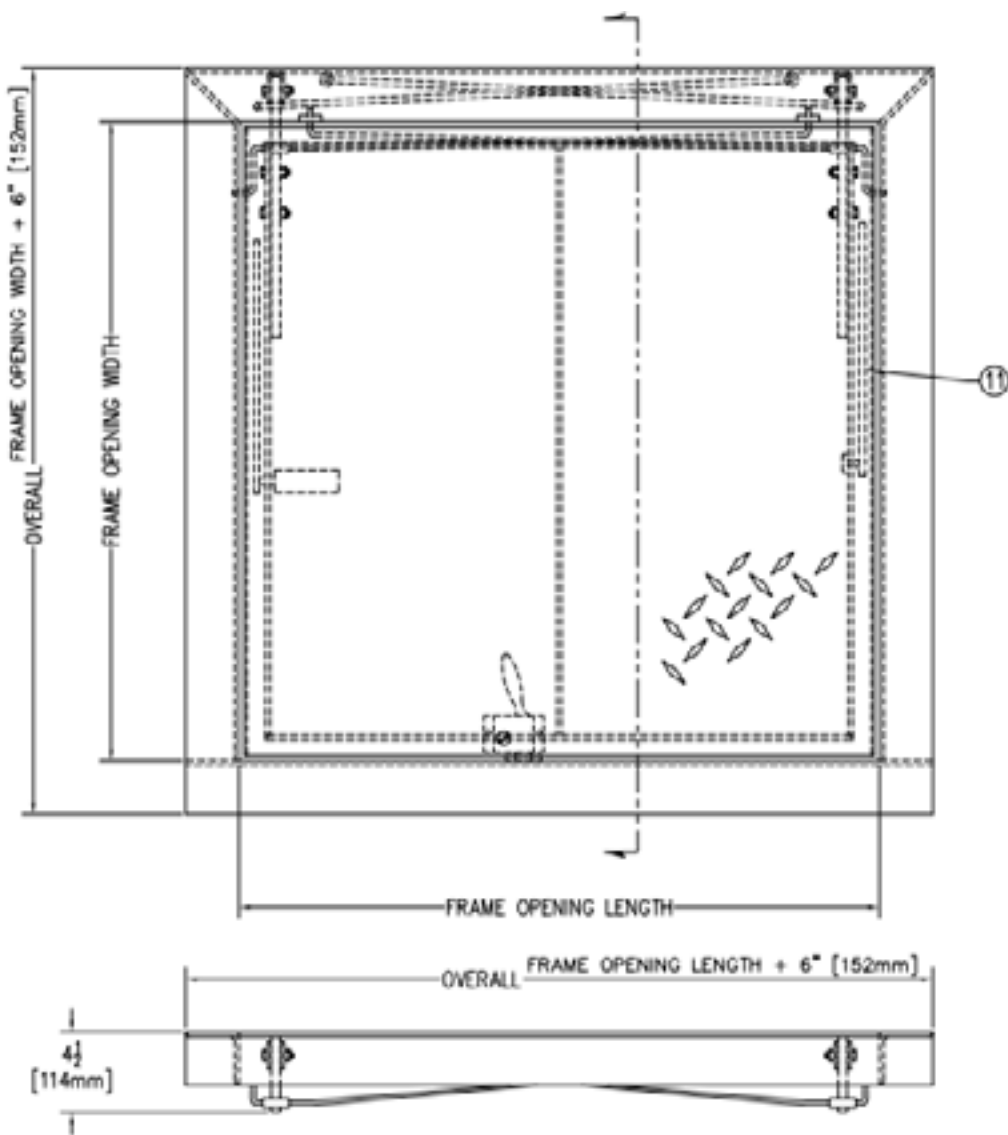
SHOP FINISH:

STEEL: RED OXIDE PRIMER
HARDWARE: ZINC PLATED & CHROMATE SEALED
(unless otherwise specified)

REINFORCED FOR 150 Lbs. PER Sq. Ft.
(732 kg. PER Sq. METER) LIVE LOAD

INSTALLER NOTES:

- A. Use caution. Cover is spring loaded. Do not remove safety shipping bolt until unit is to be installed and in normal horizontal operating position.
- B. Before anchoring in place open and close door. Check to see that the door in the closed position rests on the frame all around. If not, shim under the frame at the proper corner.



WE ALSO DO
CUSTOM!

Scan to view pricing.



TOLL FREE PHONE:
1-800-483-0823

www.BestAccessDoors.ca