



Quality Access Doors - FAST!

SUBMITTAL/TECHNICAL DATA SHEET

STANDARD OPTIONS

MATERIAL

16 gauge cold rolled steel frame & 20 gauge galvalneal steel door

HINGE:

Continuous piano hinge allows opening to 89°

LOCK / LATCH:

Self latching ring operated slam latch inside and a hex head slam latch outside

FINISH:

High quality white powder coat primer

PACKAGING:

Individually wrapped, 1 per box

OPTIONS AVAILABLE

MATERIAL:

Stainless steel 304 #4 (brushed finish)

Fire Rating information on Page 2

For a complete list of options visit www.BestAccessDoors.ca

Scan or Click



To view Pricing and Additional Product Info.

LEED READY: THIS PRODUCT CONTRIBUTES TO LEED® CREDITS



SKU: **BAC-PFU**

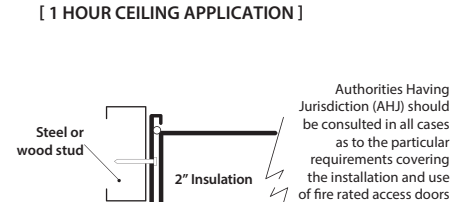
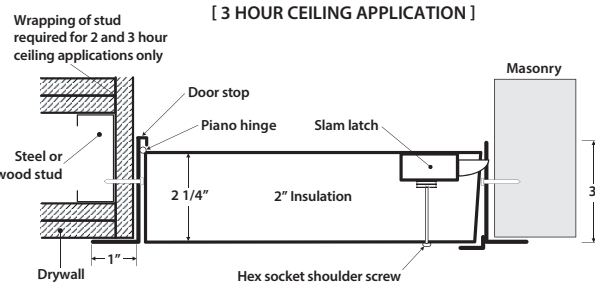
FIRE RATED INSULATED UPWARD OPENING ACCESS DOOR

FOR CEILING ONLY



INSTALLATION

>> CLICK TO VIEW ADDITIONAL DETAILS AND PRICING <<

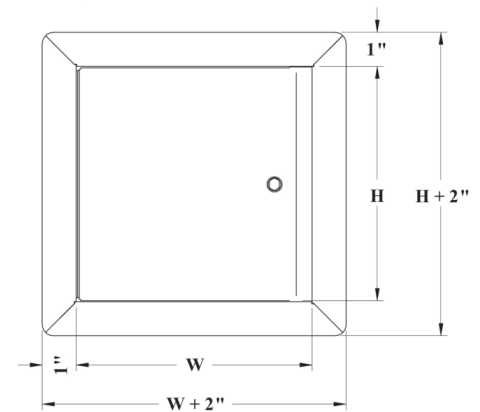


DIMENSIONS AND APPEARANCE

STANDARD SIZES:

DOOR SIZE W x H INCHES (MM)	NUMBER OF LOCKS	WEIGHT	
		LBS	KG
22 x 30 (558 x 762)	1	30	30.6
22 x 36 (558 x 914)	2	37	16.8
24 x 24 (609 x 609)	1	29	13.2

(Clear opening with door opened = $W - 3 \frac{1}{2}''$)
ROUGH WALL OPENING IS DOOR SIZE + $\frac{1}{4}''$ OR + 6mm



PROJECT DATA

Custom Sizes Available - Fast!

PROJECT NAME :	QTY	W	H	OPTIONS
ARCHITECT :				
DEALER :				
CONTRACTOR :				
LOCATION :	SPECIAL INSTRUCTIONS :			
DATE :				
TAGGING INSTRUCTIONS :	SUBMITTAL APPROVAL : (signature or stamp)			

TELEPHONE:
1-800-483-0823
FAX:
1-888-828-6021

385 WILSON STREET EAST,
SUITE 302
ANCASTER, ON, L9G 2C1
CANADA

WEBSITE:
www.BestAccessDoors.ca
E-MAIL:
info@BestAccessDoors.ca



■ FIRE RATING

FOR HORIZONTAL WALL ASSEMBLIES ONLY:

CERTIFIED TO STANDARDS: ASTM E119 (2012), CAN/ULC S101 (2007).

RATING ACHIEVED: 3 hours in non-combustible construction. 1 hour in combustible construction.

MAXIMUM SIZE: 24" x 36" (hinges & latch on 36" long sides) (610 mm x 914 mm).

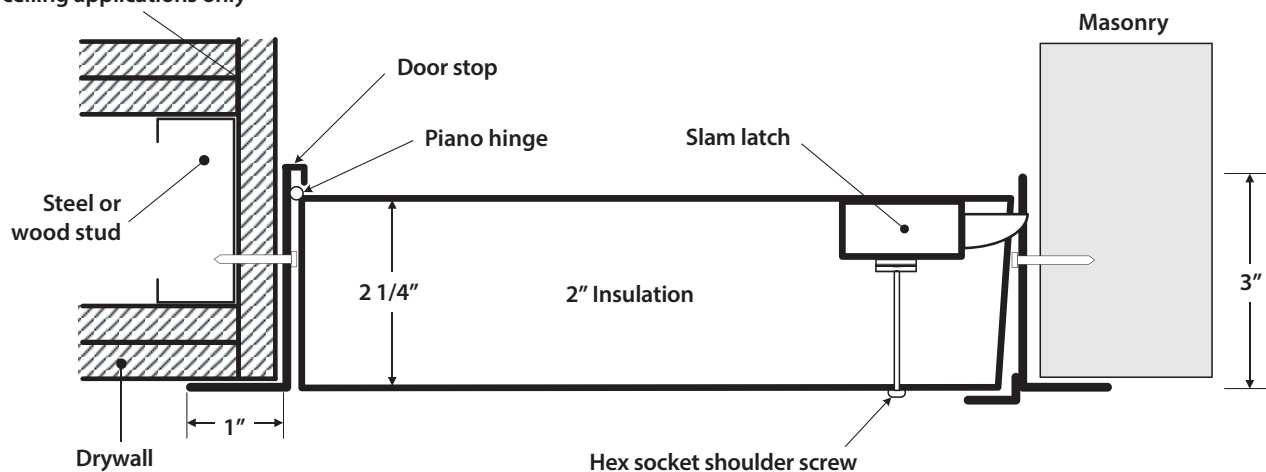
Tolerances on dimension limitations are ± 3" (76 mm) as long as the area does not exceed 864 in².

TEMPERATURE RISE: Not applicable.

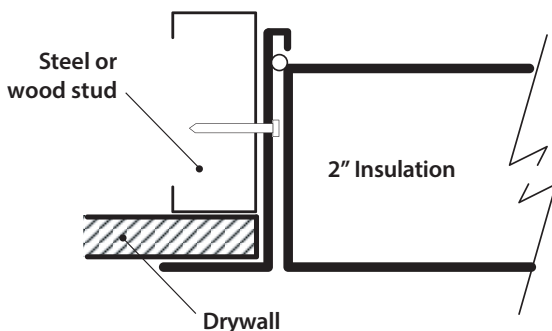
■ INSTALLATION: WALLS AND CEILINGS

Wrapping of stud required for 2 and 3 hour ceiling applications only

[3 HOUR CEILING APPLICATION]



[1 HOUR CEILING APPLICATION]



Authorities Having Jurisdiction (AHJ) should be consulted in all cases as to the particular requirements covering the installation and use of fire rated access doors



TELEPHONE:
1-800-483-0823
FAX:
1-888-828-6021



385 WILSON STREET EAST,
SUITE 302
ANCASTER, ON, L9G 2C1
CANADA



WEBSITE:
www.BestAccessDoors.ca
E-MAIL:
info@BestAccessDoors.ca