



Quality Access Doors- FAST!

SUBMITTAL/TECHNICAL DATA SHEET

STANDARD OPTIONS

- MATERIAL:**
16 gauge cold rolled steel frame and 20 gauge galvalume steel door
- INSULATION:**
Mineral wool
- HINGE:**
Continuous piano hinge
- LOCK / LATCH:**
Self latching tool-key operated slam latch and/or ring operated slam latch, both included
- INSIDE PANEL RELEASE:**
Standard on all doors over 12" x 12"
- AUTOMATIC PANEL CLOSER:**
Standard on all doors
- FINISH:**
High quality white powder coat primer
- PACKAGING:**
Individually wrapped, 1 per box

OPTIONS AVAILABLE

- LOCK / LATCH:**
- Mortise deadbolt lock
 - Hex head slam latch
 - Handle operated slam latch
 - Mortise preparation for cylinder (Cylinder optional)

- MATERIAL:**
Stainless steel #4 (brushed finish)
- MASONRY ANCHOR:**
Available on all sizes

Fire Rating information on Page 2

For a complete list of options visit www.BestAccessDoors.ca

Scan or Click



To view Pricing and Additional Product Info.

LEED READY: THIS PRODUCT CONTRIBUTES TO LEED® CREDITS



SKU: **BAG-PFI-GYP**

FIRE RATED INSULATED ACCESS DOOR

WITH DRYWALL FLANGE



INSTALLATION

>> [CLICK TO VIEW ADDITIONAL DETAILS AND PRICING <<](#)

RECOMMENDED CEILING INSTALLATION PROCEDURE FOR 3 HOUR RATING

ON SIZES 18"X18" AND LARGER USE ADDITIONAL SUPPORT BRACKETS AND EXTRA SPRING PROVIDED TO ENSURE THAT THE DOOR WILL BE SELF CLOSING

*The latch release allows the opening of the door from inside

RECOMMENDED CEILING INSTALLATION PROCEDURE FOR 1 HOUR RATING

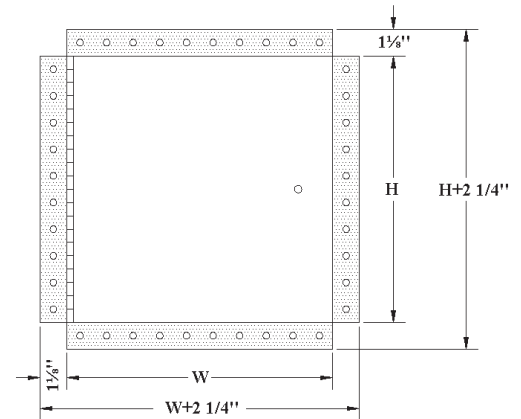
RECOMMENDED WALL INSTALLATION PROCEDURE FOR 1 HOUR RATING

Authorities Having Jurisdiction (AHJ) should be consulted in all cases as to the particular requirements covering the installation and use of fire rated access doors.

DIMENSIONS AND APPEARANCE

STANDARD SIZES:

DOOR SIZE W x H inches (MM)	NUMBER OF LOCKS	WEIGHT	
		LBS	KG
8 x 8 (203 x 203)	1	7	3.2
10 x 10 (254 x 254)	1	8	3.6
12 x 12 (304 x 304)	1	10	4.5
14 x 14 (355 x 355)	1	12	5.4
16 x 16 (406 x 406)	1	14	6.4
18 x 18 (457 x 457)	1	17	7.7
22 x 22 (558 x 558)	1	24	10.9
22 x 30 (558 x 762)	1	31	14.1
22 x 36 (558 x 914)	2	38	17.2
24 x 24 (609 x 609)	1	29	13.2
24 x 36 (609 x 914)	2	36	16.4
* 24 x 48 (609 x 1219)	2	47	21.3
* 30 x 30 (762 x 762)	1	40	18.1
* 32 x 32 (812 x 812)	2	44	20
* 36 x 36 (914 x 914)	2	53	24
* 48 x 48 (1219 x 1219)	2	83	37.7



ROUGH WALL OPENING IS DOOR SIZE + 1/4" OR + 6MM

*NOT AVAILABLE FOR CEILING RATING (MAXIMUM 24"X36")

PROJECT DATA

Custom Sizes Available - Fast!

PROJECT NAME :	QTY	W	H	OPTIONS
ARCHITECT :				
DEALER :				
CONTRACTOR :				
LOCATION :	SPECIAL INSTRUCTIONS :			
DATE :	SUBMITTAL APPROVAL : (signature or stamp)			
TAGGING INSTRUCTIONS :				

TELEPHONE:
1-800-483-0823

FAX:
1-888-828-6021

385 WILSON STREET EAST,
SUITE 302
ANCASTER, ON, L9G 2C1
CANADA

WEBSITE:
www.BestAccessDoors.ca

E-MAIL:
info@BestAccessDoors.ca



■ FIRE RATING

FIRE RATED ACCESS DOORS, FOR VERTICAL USE, ARE SUBJECT TO THE FOLLOWING:

VERTICAL WALL ASSEMBLIES

Fire rated access doors, for vertical use, are subject to the following:

CERTIFICATION

UL 10B (2009), NFPA 252 (2012), CAN/ULC S104 (2010).

RATING ACHIEVED

3 hours, neutral/negative pressure

MAXIMUM SIZE

48" x 48" (1219mm x 1219mm), maximum area of 2304 in², tolerance on height and width limitation is more or less 3" (76mm) as long as the area does not exceed 2304 in².

TEMPERATURE RISE

250°F (121°C) after 30 minutes and 450°F (232°C) after 60 minutes.

FIRE RATED ACCESS DOORS, FOR HORIZONTAL USE, ARE SUBJECT TO THE FOLLOWING:

HORIZONTAL CEILING ASSEMBLIES

Fire rated access doors, for horizontal use, are subject to the following:

CERTIFICATION

ASTM E119 (2012), CAN/ULC S101 (2007)

RATING ACHIEVED

3 hours in non-combustible construction and 1 hour in combustible construction

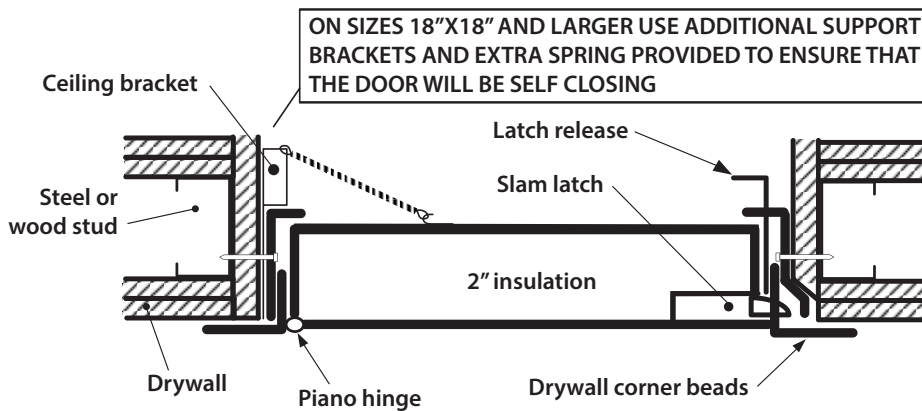
MAXIMUM SIZE

24"X36" (610 mm X 914 mm) (hinges and latches on the side of 36"), tolerance on dimension limitations are more or less 3" (76 mm) as long as the area does not exceed 864 in².

TEMPERATURE RISE

Within allowable per ASTM E119 and CAN/ULC S101

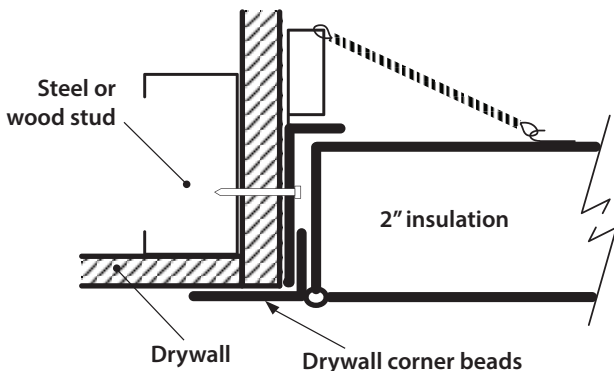
■ INSTALLATION: WALLS AND CEILINGS



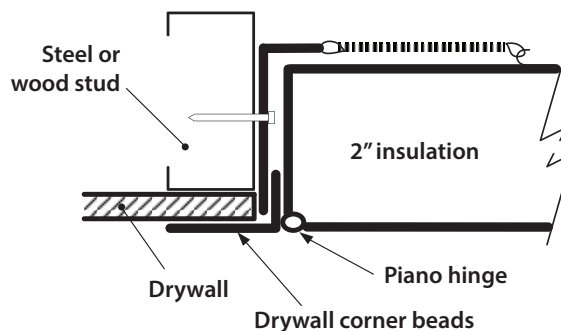
RECOMMENDED CEILING INSTALLATION PROCEDURE FOR 3 HOUR RATING

*The latch release allows the opening of the door from inside

RECOMMENDED CEILING INSTALLATION PROCEDURE FOR 1 HOUR RATING



RECOMMENDED WALL INSTALLATION PROCEDURE FOR 1 HOUR RATING



Authorities Having Jurisdiction (AHJ) should be consulted in all cases as to the particular requirements covering the installation and use of fire rated access doors.

