



Quality Access Doors - FAST!

# SUBMITTAL/TECHNICAL DATA SHEET

SKU: **BAC-NB-20VM**

## SINGLE LEAF ROOF SCUTTLE

TYPE VM



### SPECIFICATIONS

01. Frame with flashing (Corners full welded)
  - 20VM - 14 gauge P.B. Galv. Steel
  - 50VM - 11 gauge aluminum
02. Pintle hinge
03. Gasket (all around cover)
04. Cover gauge
  - 20VM - 14 gauge P.B. Galv. Steel
  - 50VM - 11 gauge aluminum
05. Cover liner
  - 20VM - 22 gauge P.B. Galv. Steel
  - 50VM - 18 gauge aluminum
06. Spring lifting mechanism
07. 1° rigid fiberglass insulation
08. Slam latch
09. Inside and outside handles with padlock hasps
10. Arm guide bracket
11. 1" thick fiberglass cover insulation
12. Hold open arm w/red vinyl grip
13. Neoprene gasket
14. Lock strike & padlock hasp
15. Anchor tabs (QTY & location varies with size)
16. Guide arm (if req'd)

#### SHOP FINISH:

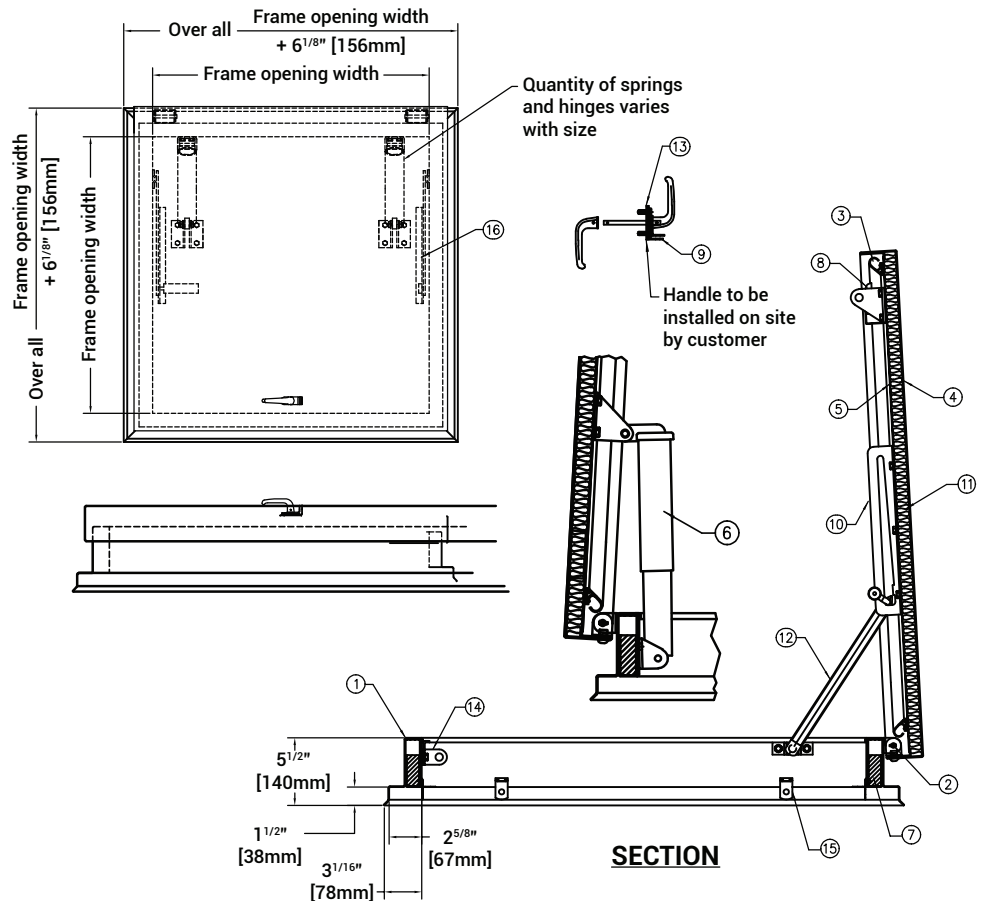
- STEEL: Red oxide primer
- ALUMINUM: Mill finish
- HARDWARE: Non-corrosive materials (Unless otherwise specified)

This product may be installed on either a flat or sloping roof. When installed on a slope, the hinge side must run parallel with the slope. If slope exceeds 30°, advise factory for modification

For a complete list of options visit [www.BestAccessDoors.ca](http://www.BestAccessDoors.ca)

### DIMENSIONS AND APPEARANCE

>> CLICK TO VIEW ADDITIONAL DETAILS AND PRICING <<



| QTY | TYPE    | QTY | TYPE    | SIZE<br>WIDTH X LENGTH                       |
|-----|---------|-----|---------|--|
| □   | S-20VM  | □   | S-50VM  | 3'-0" X 2'-6"<br>[914MM] X [762MM]           |
| □   | E-20VM  | □   | E-50VM  | 3'-0" X 3'-0"<br>[914MM] X [914MM]           |
| □   | NB-20VM | □   | NB-50VM | 2'-6" X 4'-6"<br>[762MM] X [1370MM]          |
| □   | L-20VM  | □   | L-50VM  | 2'-6" X 8'-0"<br>[762MM] X [2440MM]          |
| □   | EW-20VM | □   | EW-50VM | 3'-3 3/8" X 3'-3 3/8"<br>[1000MM] X [1000MM] |

### PROJECT DATA

Custom Sizes Available - Fast!

Scan or Click



To view Pricing and Additional Product Info.

|                        |  |   |   |         |
|------------------------|--|---|---|---------|
| PROJECT NAME :         | QTY  | W | H | OPTIONS |
| ARCHITECT :            |  |   |   |         |
| DEALER :               |  |   |   |         |
| CONTRACTOR :           |  |   |   |         |
| LOCATION :             | SPECIAL INSTRUCTIONS :                       |   |   |         |
| DATE :                 |  |   |   |         |
| TAGGING INSTRUCTIONS : | SUBMITTAL APPROVAL :<br>(signature or stamp) |   |   |         |

TELEPHONE:  
1-800-483-0823

FAX:  
1-888-828-6021

385 WILSON STREET EAST,  
SUITE 302  
ANCASTER, ON, L9G 2C1  
CANADA



WEBSITE:  
[www.BestAccessDoors.ca](http://www.BestAccessDoors.ca)

E-MAIL:  
[info@bestaccessdoors.ca](mailto:info@bestaccessdoors.ca)