

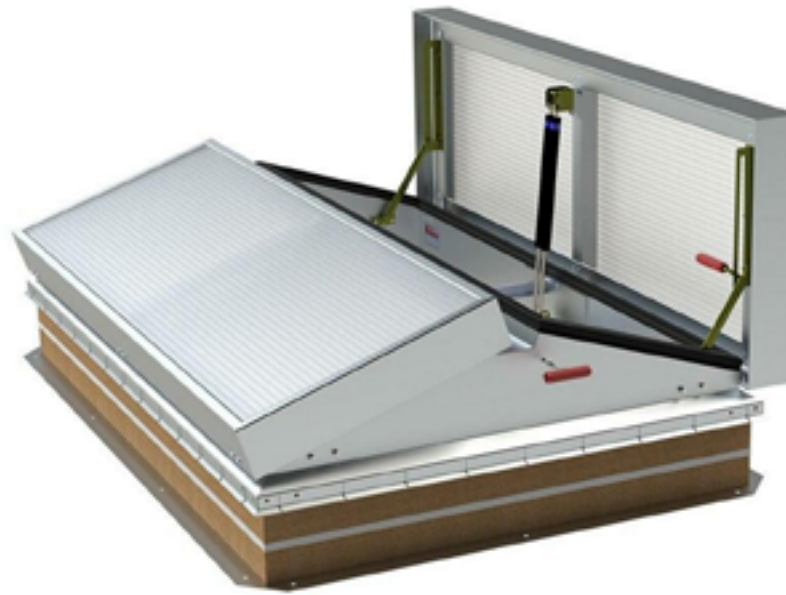
BAC-LV4848B

TECHNICAL DATA SHEET



ALUMINUM LUMIVENT
DAYLIGHTING SMOKE
VENT

SKU: **BA-FR-DW**



[CLICK TO VIEW PRICING](#)

SPECIFICATIONS

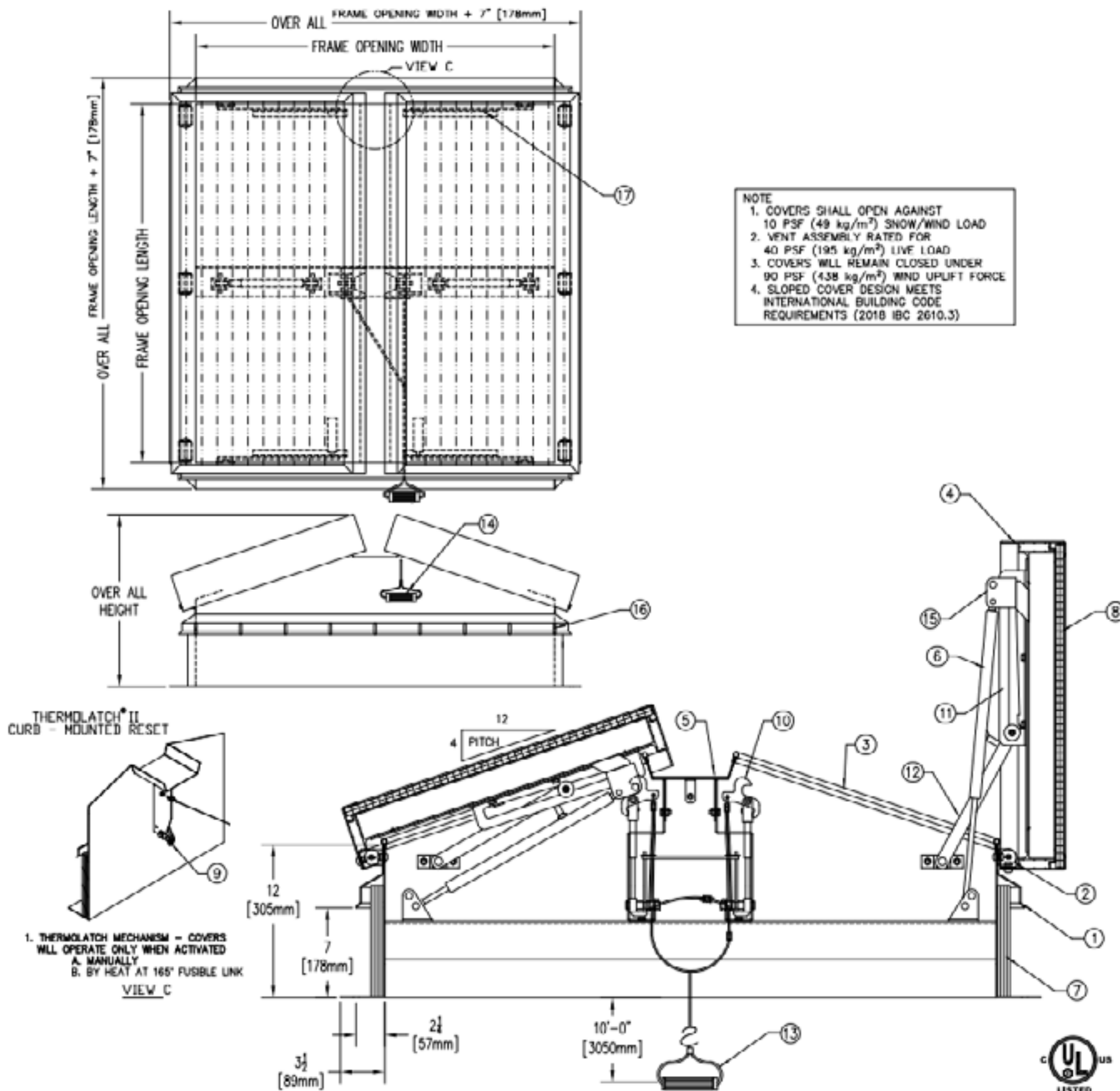
1. FRAME W/ CAPFLASHING (CORNERS FULL WELDED)
LV B - 11 GAUGE ALUMINUM
2. PINTLE HINGE
3. GASKET (ALL AROUND FRAME)
4. EXTRUDED ALUMINUM COVER FRAME
5. FIXED CENTER DRAIN
6. GAS SPRINGS WITH INTEGRAL DAMPER
7. 1" RIGID FIBERBOARD INSULATION
8. TRANSLUCENT STRUCTURED POLYCARBONATE GLAZING
9. 165° FUSIBLE LINK (EXTRA LINK PROVIDED)
10. THERMOLATCH II® POSITIVE HOLD/RELEASE MECHANISM
11. ARM GUIDE BRACKET
12. HOLD OPEN ARM W/ RED VINYL GRIP
13. PULL GRIP TO OPEN FROM INSIDE 1/8" DIA. STEEL CABLE
14. PULL GRIP TO OPEN FROM OUTSIDE 1/8" DIA. STEEL CABLE
15. COVER LATCH BRACKET
16. BILCLIP® FLASHING SYSTEM
17. GUIDE ARM

SHOP FINISH:

ALUMINUM: MILL FINISH

HARDWARE: ZINC PLATED & CHROMATE SEALED
(UNLESS OTHERWISE SPECIFIED)

THIS PRODUCT MAY BE INSTALLED ON EITHER A FLAT OR SLOPING ROOF. WHEN INSTALLED ON A SLOPE, THE HINGE SIDE MUST RUN PARALLEL WITH THE SLOPE. IF SLOPE EXCEEDS 30°, ADVISE FACTORY FOR MODIFICATION.



WE ALSO DO
CUSTOM!

Scan to view pricing.



TOLL FREE PHONE:
1-800-483-0823

www.BestAccessDoors.ca