



Quality Access Doors- FAST!

# SUBMITTAL/TECHNICAL DATA SHEET

## SPECIFICATIONS

01. Frame with capflashing (corners full welded)  
- LV B - 11 gauge aluminum
02. Pintle hinge
03. Gasket (all around frame)
04. Extruded aluminum cover frame
05. Fixed center drain
06. Gas spring with integral damper
07. 1" rigid fiberglass insulation
08. Translucent structured polycarbonate glazing
09. 165° Fusible link (Extra link provided)
10. Thermolatch II® positive hold/release mechanism
11. Arm guide bracket
12. Hold open arm with red vinyl grip
13. Pull grip to open from inside 1/8" Dia. steel cable
14. Pull grip to open from outside 1/8" Dia. steel cable
15. Cover latch bracket
16. Bilclip® flashing system
17. Guide arm

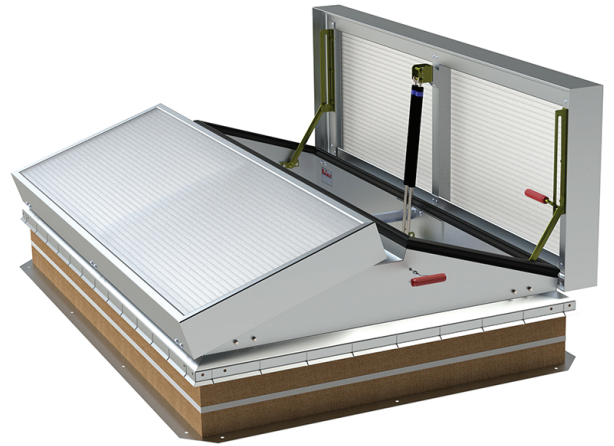
**SHOP FINISH:**  
**ALUMINUM:** Mill finish  
**HARDWARE:** Zinc plated & chromate sealed  
 (Unless otherwise specified)

This product may be installed on either a flat or sloping roof. When installed on a slope, the hinge side must run parallel with the slope. If slope exceeds 30', advise factory for modification.

SKU: **BAC-LV**

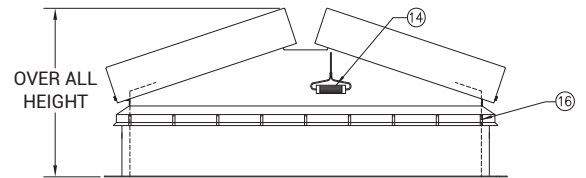
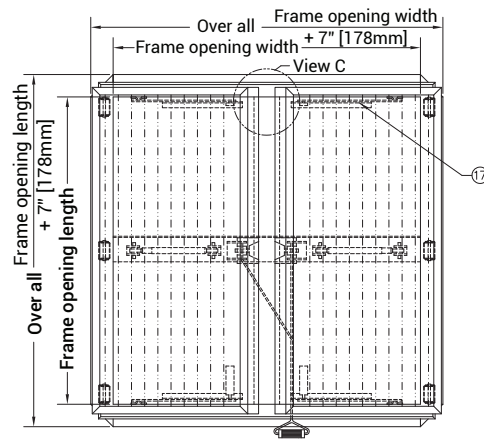
# DOUBLE LEAF FIRE VENT

TYPE LV



## DIMENSIONS AND APPEARANCE

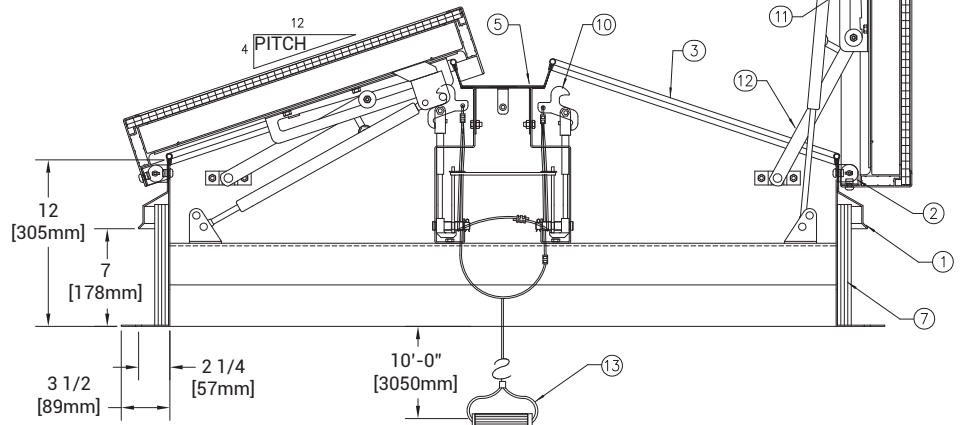
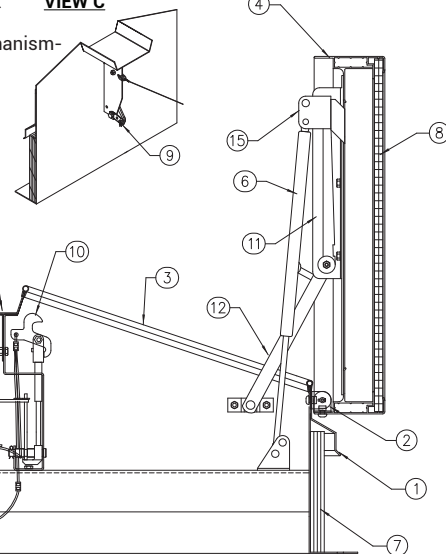
>> [CLICK TO VIEW ADDITIONAL DETAILS AND PRICING](#) <<



Thermolatch® II curb - Mounted reset

VIEW C

1. Thermolatch mechanism- Covers will operate only when activated
  - A. Manually
  - B. By heat at 165° fusible link



For a complete list of options visit [www.BestAccessDoors.ca](http://www.BestAccessDoors.ca)

QTY	TYPE	SIZE WIDTH X LENGTH	OVER ALL HEIGHT
	LV4848B	4'-0" X 4'-0" [1220MM] X [1220MM]	23" [585MM]
	LV4896B	4'-0" X 8'-0" [1220MM] X [2440MM]	23" [585MM]
	LV6096B	5'-0" X 8'-0" [1525MM] X [2440MM]	25" [635MM]

## PROJECT DATA

Custom Sizes Available - Fast!

Scan or Click



To view Pricing and Additional Product Info.

PROJECT NAME :	QTY	W	H	OPTIONS
ARCHITECT :				
DEALER :				
CONTRACTOR :				
LOCATION :	SPECIAL INSTRUCTIONS :			
DATE :				
TAGGING INSTRUCTIONS :	SUBMITTAL APPROVAL : (signature or stamp)			

TELEPHONE:  
1-800-483-0823

FAX:  
1-888-828-6021

385 WILSON STREET EAST,  
SUITE 302  
ANCASTER, ON, L9G 2C1  
CANADA

WEBSITE:  
[www.BestAccessDoors.ca](http://www.BestAccessDoors.ca)

E-MAIL:  
[info@bestaccessdoors.ca](mailto:info@bestaccessdoors.ca)

