



Quality Access Doors- FAST!

SUBMITTAL/TECHNICAL DATA SHEET

SPECIFICATIONS

- 01. Pull up loop
- 02. Release rod w/ vinyl lift handle
- 03. Lock up bracket
- 04. Balancing spring
- 05. Square tubing
- 06. Adjustable mounting channel
- 07. Clamp bracket
- 08. Stainless steel mounting bolts (3/8-16 x 2")

NOTES:

01. Our LadderUP safety post is furnished completely assembled ready to mount on rear of ladder with clamp brackets on climbing side. Ladder must be structurally sound and securely anchored.

02. On hollow round rung ladders insert solid round bar (same length as rung) into the top two rungs to provide additional strength and prevent crushing of the rung when the LadderUP is fastened.

03. Adjustable mounting fits ladders with rung spacing up to about 14" (355mm) center to center.

04. Clamp bracket may be reversed to accommodate rung sizes of 3/4" (19mm) to 1 1/4" (32mm) with standard 2" (51mm) bolts furnished. Larger rungs will require longer bolts.

ROOF SCUTTLE NOT INCLUDED

For a complete list of options visit www.BestAccessDoors.ca

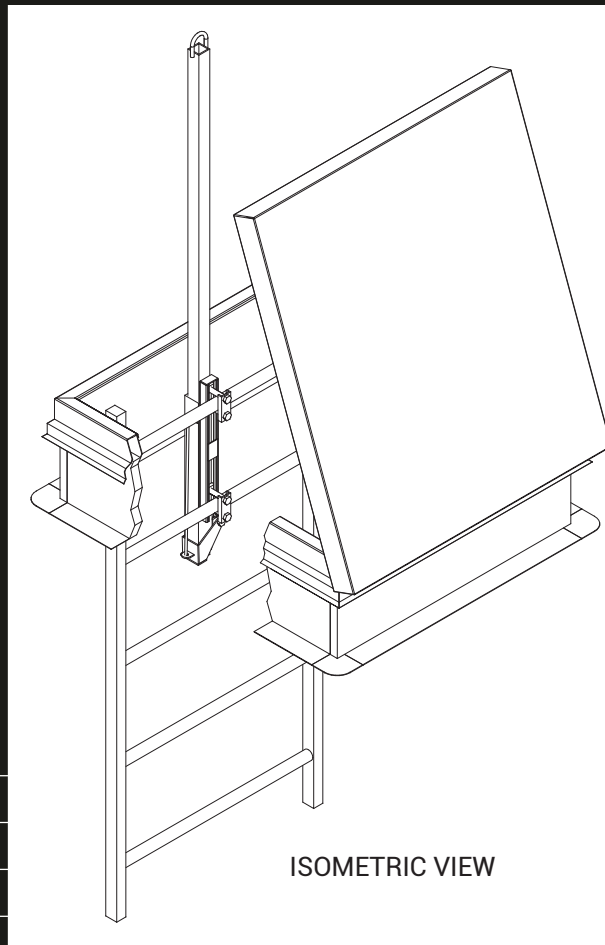


SKU: **BAG-LU-2**
LADDER UP SAFETY POST

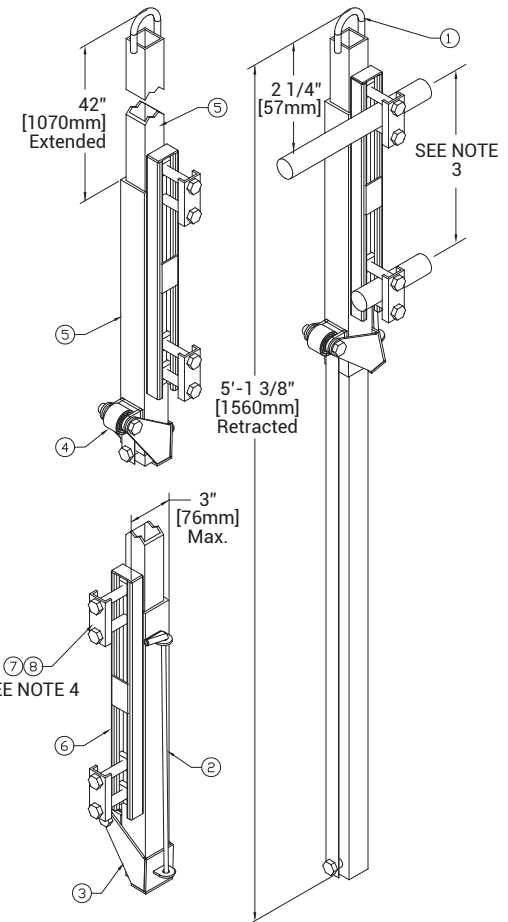


DIMENSIONS AND APPEARANCE

>> CLICK TO VIEW ADDITIONAL DETAILS AND PRICING <<



ISOMETRIC VIEW



QTY	TYPE	MATERIAL	FINISH
■	LU-1	STEEL	YELLOW POWDER COAT PAINT
■	LU-2	STEEL	HOT DIPPED GALVANIZED
■	LU-3	STAINLESS STEEL	TYPE 304 WITH SAND BLAST FINISH
■	LU-4	ALUMINUM	MILL FINISH

PROJECT DATA

Custom Sizes Available - Fast!

Scan or Click



To view Pricing and Additional Product Info.

PROJECT NAME :	QTY	W	H	OPTIONS
ARCHITECT :				
DEALER :				
CONTRACTOR :				
LOCATION :	SPECIAL INSTRUCTIONS :			
DATE :				
TAGGING INSTRUCTIONS :	SUBMITTAL APPROVAL : (signature or stamp)			

TELEPHONE:
1-800-483-0823
FAX:
1-888-828-6021

385 WILSON STREET EAST,
SUITE 302
ANCASTER, ON, L9G 2C1
CANADA

WEBSITE:
www.BestAccessDoors.ca
E-MAIL:
info@bestaccessdoors.ca