

# BAC-L

## TECHNICAL DATA SHEET

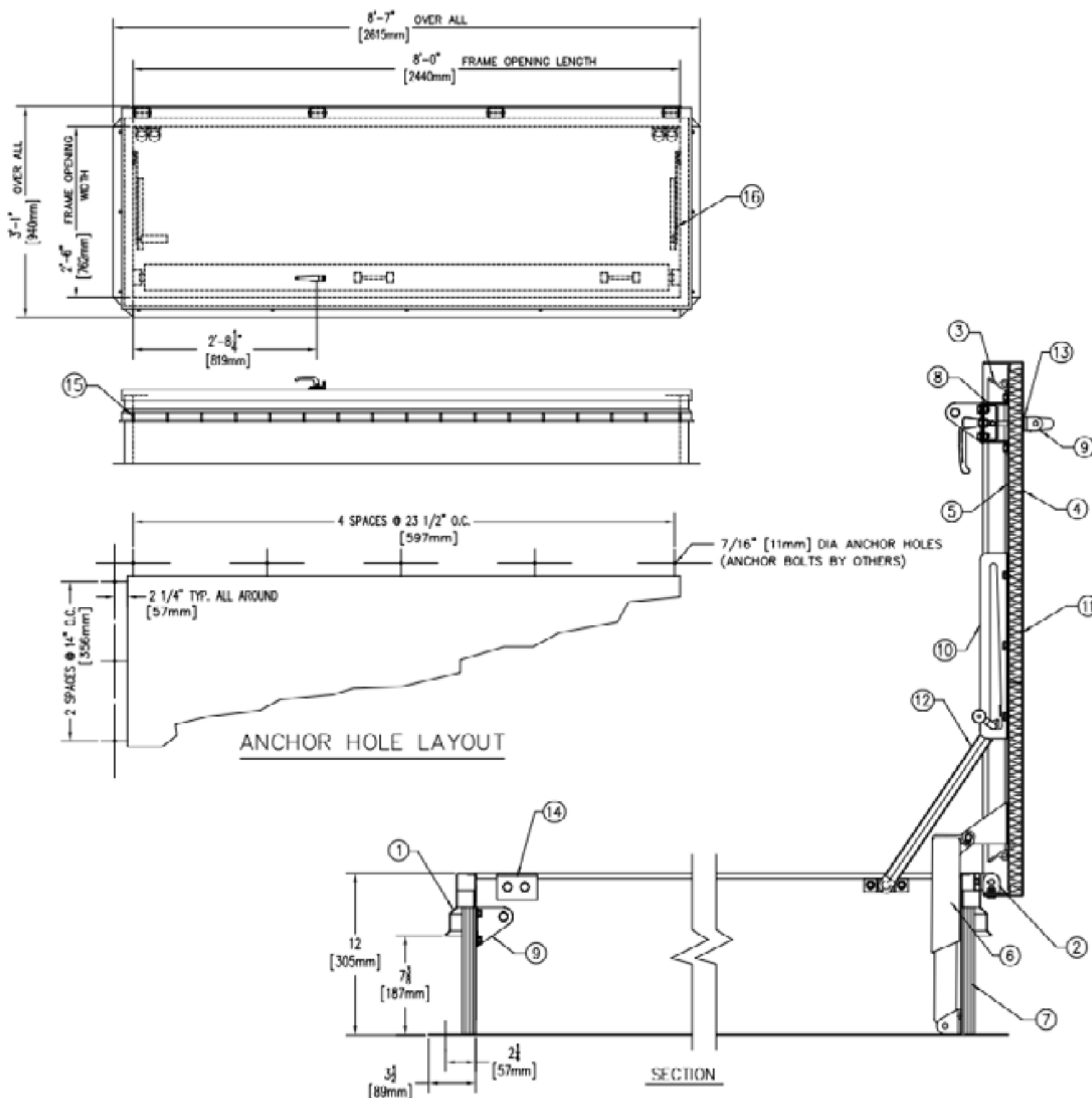


ALUMINUM COVER  
WITH GALVANIZED  
STEEL SERVICE STAIR  
ACCESS ROOF HATCH

SKU: **BAC-L**



[CLICK TO VIEW PRICING](#)



### SPECIFICATIONS

- FRAME W/ CAPFLASHING (CORNERS FULL WELDED)
  - L-20 - 14 GAUGE P.B. GALV. STEEL
  - L-40 - 14 GAUGE P.B. GALV. STEEL
  - L-50 - 11 GAUGE ALUMINUM
- PINTLE HINGE
- GASKET (ALL AROUND COVER)
- COVER GAUGE
  - L-20 - 14 GAUGE P.B. GALV. STEEL
  - L-40 - 11 GAUGE ALUMINUM
  - L-50 - 11 GAUGE ALUMINUM
- COVER LINER
  - L-20 - 22 GAUGE P.B. GALV. STEEL
  - L-40 - 18 GAUGE ALUMINUM
  - L-50 - 18 GAUGE ALUMINUM
- LIFTING MECHANISM WITH REINFORCED COMPOSITE TUBES AND COMPRESSION SPRINGS
- 1" RIGID FIBERBOARD INSULATION
- SLAM LATCH (2 POINT)
- INSIDE AND OUTSIDE HANDLES W/ PADLOCK HASPS
- ARM GUIDE BRACKET
- 1" THICK FIBERGLASS COVER INSULATION
- HOLD OPEN ARM W/ RED VINYL GRIP
- NEOPRENE GASKET
- LOCK STRIKE
- BILCLIP® FLASHING SYSTEM
- GUIDE ARM

#### SHOP FINISH:

STEEL: RED OXIDE PRIMER  
ALUMINUM: MILL FINISH  
HARDWARE: ZINC PLATED & CHROMATE SEALED  
(UNLESS OTHERWISE SPECIFIED)

THIS PRODUCT MAY BE INSTALLED ON EITHER A FLAT OR SLOPING ROOF. WHEN INSTALLED ON A SLOPE, THE HINGE SIDE MUST RUN PARALLEL WITH THE SLOPE. IF SLOPE EXCEEDS 30°, ADVISE FACTORY FOR MODIFICATION.

WE ALSO DO  
**CUSTOM!**

Scan to view pricing.



TOLL FREE PHONE:  
1-800-483-0823

[www.BestAccessDoors.ca](http://www.BestAccessDoors.ca)