

# BAC-KD

## TECHNICAL DATA SHEET

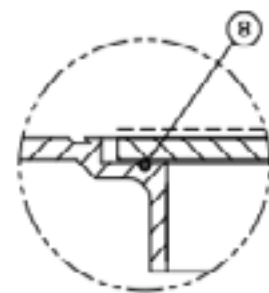
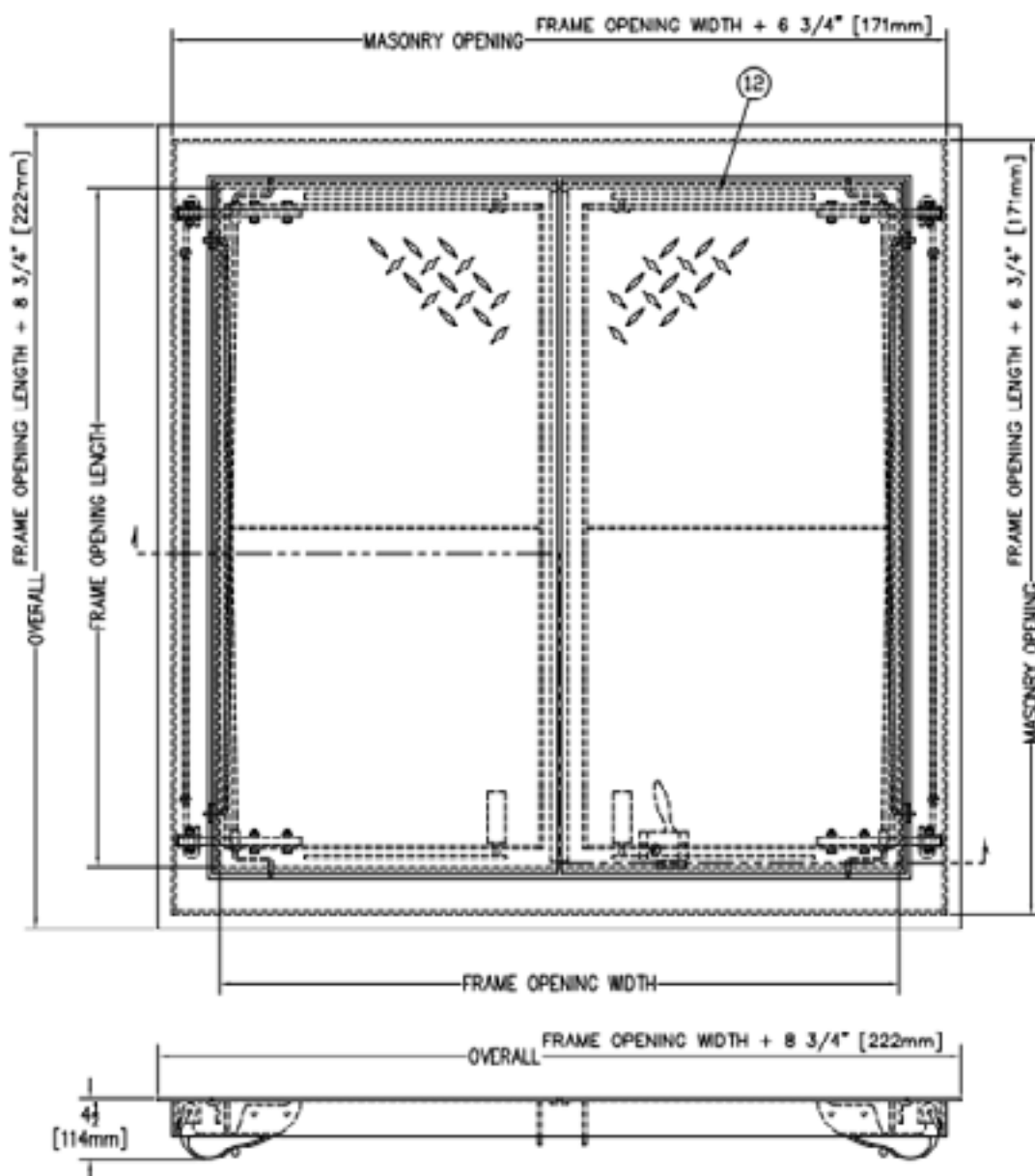


ALUMINUM STANDARD  
DOUBLE LEAF NON-  
DRAINAGE FLOOR DOOR

SKU: **BAC-KD**

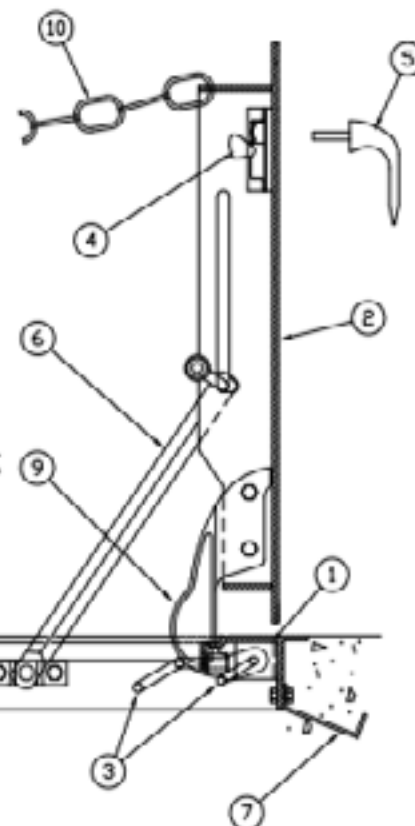
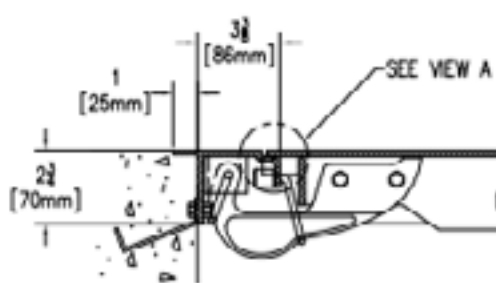


[CLICK TO VIEW PRICING](#)



VIEW A  
ENLARGED SECTION OF  
NEOPRENE CUSHION

FRAME AREAS THAT COME  
IN CONTACT WITH CONCRETE  
SHALL BE COATED WITH  
BITUMINOUS PAINT



### *SPECIFICATIONS*

1. EXTRUDED ALUMINUM FRAME
2. 1/4" ALUMINUM DIAMOND PLATE COVER
3. TORSION/CAM OPERATING MECHANISM
4. STANDARD SLAM LOCK
5. REMOVABLE SQUARE KEY WRENCH
6. AUTOMATIC HOLD OPEN ARM W/ RED VINYL GRIP
7. 1/8" X 1" STEEL ANCHOR STRAP
8. CONTINUOUS NEOPRENE CUSHION
9. STEEL CAST HINGES
10. GUARD CHAIN
11. 1/4" X 1 1/4" ASTRAGAL.
12. GUIDE ARM (IF REQ'D)

### SHOP FINISH:

ALUMINUM: MILL FINISH

HARDWARE: ZINC PLATED & CHROMATE SEALED  
(UNLESS OTHERWISE SPECIFIED)

REINFORCED FOR 150 LBS. PER SQ. FT.  
(732 KG. PER SQ. METER) LIVE LOAD

### *INSTALLER NOTES:*

- A. USE CAUTION. COVER IS SPRING LOADED. DO NOT REMOVE SAFETY SHIPPING BOLT UNTIL UNIT IS TO BE INSTALLED AND IN NORMAL HORIZONTAL OPERATING POSITION.
- B. BEFORE ANCHORING IN PLACE OPEN AND CLOSE DOOR. CHECK TO SEE THAT THE DOOR IN THE CLOSED POSITION RESTS ON THE FRAME ALL AROUND. IF NOT, SHIM UNDER THE FRAME AT THE PROPER CORNER.

WE ALSO DO  
**CUSTOM!**

Scan to view pricing.



TOLL FREE PHONE:  
1-800-483-0823

[www.BestAccessDoors.ca](http://www.BestAccessDoors.ca)