

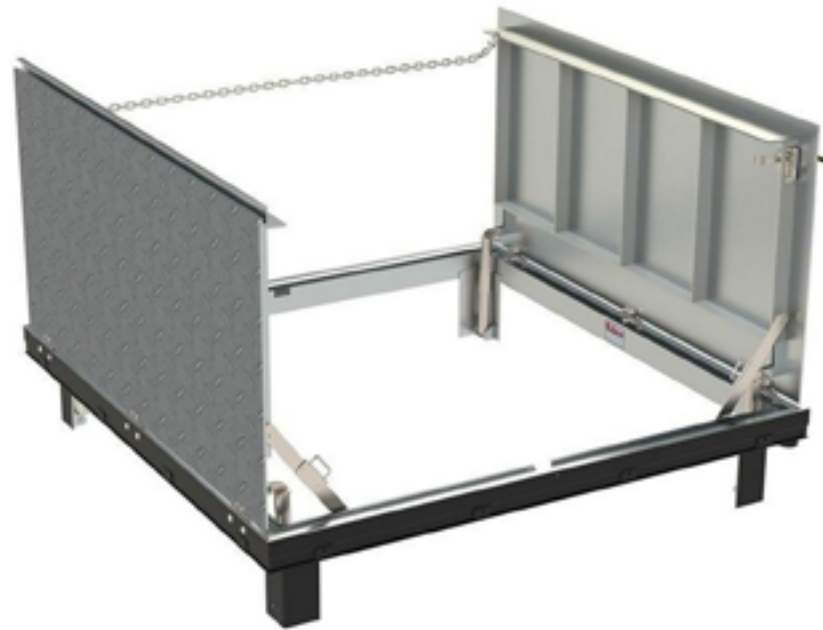
BAC-JD

TECHNICAL DATA SHEET



ALUMINUM DOUBLE
LEAF DRAINAGE
FLOOR DOOR

SKU: **BAC-JD**



[CLICK TO VIEW PRICING](#)

SPECIFICATIONS

1. heavy duty forced stainless steel hinges with stainless steel pins
2. 1-1/2" drain coupling
3. Standard slam lock
4. automatic hold open arm
5. 1/4" aluminum diamond pattern plate cover
6. 1/4" aluminum channel frame with recessed anchors
7. Heavy duty check chain
8. Stainless steel spring lifting mechanism

SHOP FINISH:

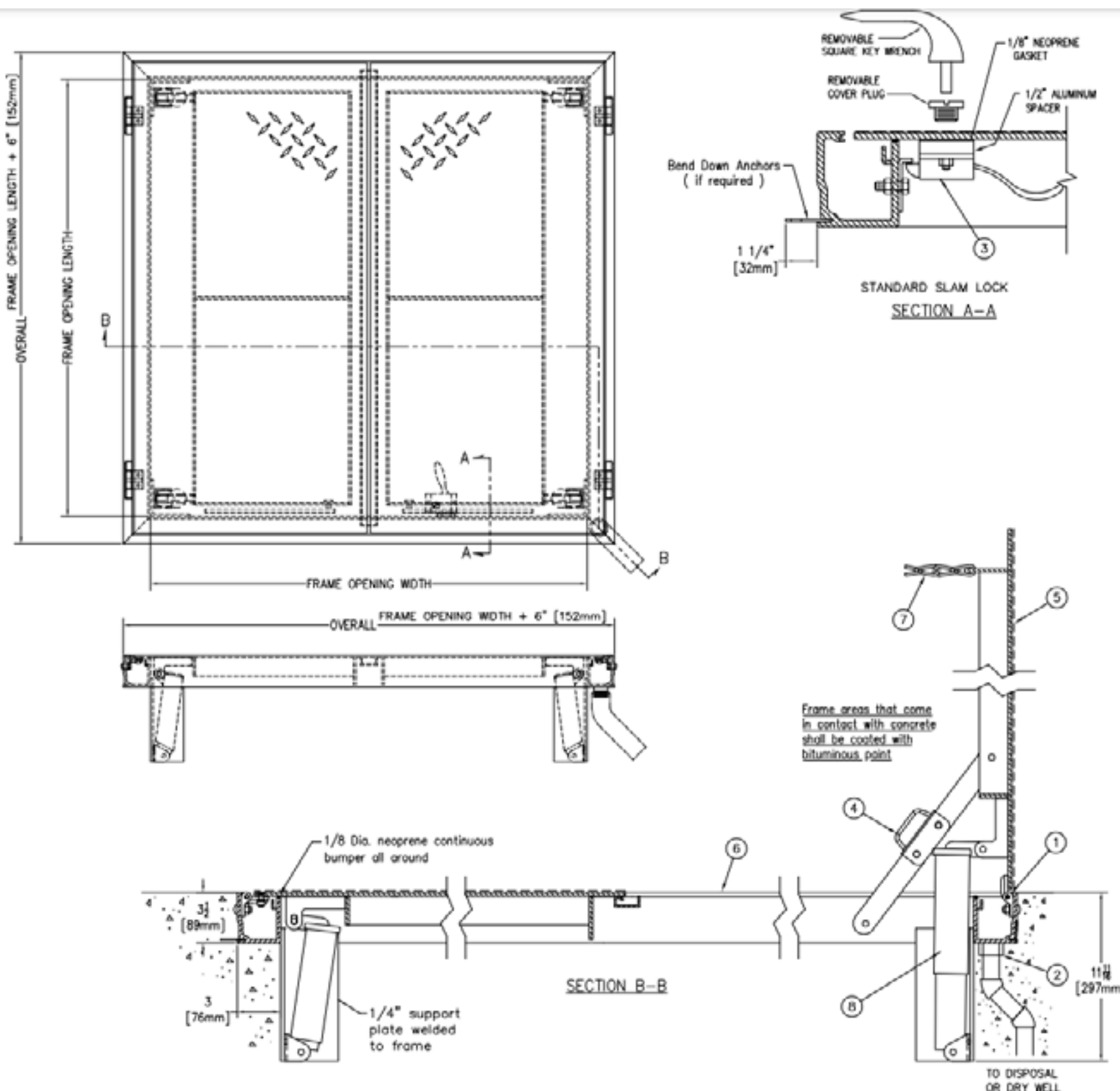
ALUMINUM: MILL FINISH

HARDWARE: TYPE 316 STAINLESS STEEL
(unless otherwise specified)

REINFORCED FOR 300 Lbs. PER Sq. Ft.
(1464 kg. PER Sq. METER) LIVE LOAD

INSTALLER NOTES:

- A. Use caution. Cover is spring loaded. Do not remove safety shipping bolt until unit is to be installed and in normal horizontal operating position.
- B. Be sure unit is set on slight pitch toward drain corner.
- C. Before anchoring in place open and close door. Check to see that the door in the closed position rests on the frame all around. If not, shim under the frame at the proper corner.
- D. Do not reduce 1 1/2" drain pipe to dry well or disposal system.
- E. Bend down anchors if required



WE ALSO DO
CUSTOM!

Scan to view pricing.



TOLL FREE PHONE:
1-800-483-0823

www.BestAccessDoors.ca