

# BAC-J

## TECHNICAL DATA SHEET



STEEL DRAINAGE  
FLOOR DOOR

SKU: **BAC-J**



[CLICK TO VIEW PRICING](#)

### SPECIFICATIONS

1. heavy duty forged brass hinges with stainless steel pins
2. Guide arm (if req'd)
3. 1-1/2" drain coupling
4. Standard slam lock
5. automatic hold open arm w/ red vinyl grip
6. 1/4" steel diamond pattern plate cover
7. 1/4" steel channel frame with
8. welded 1 1/4" x 1 1/4" anchor flange  
Stainless steel lock strike
9. Lifting mechanism with reinforced composite tubes and compression springs

### SHOP FINISH:

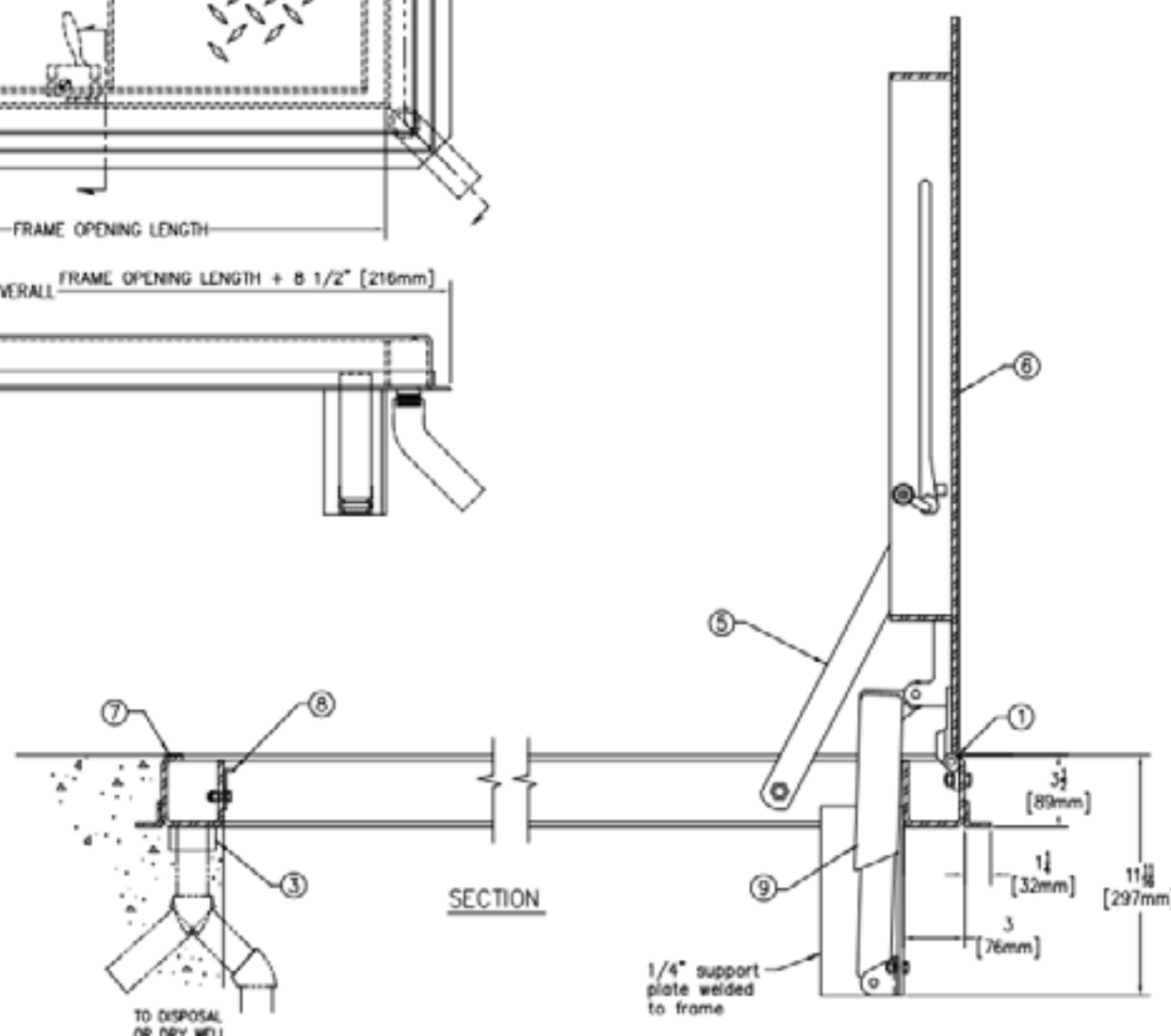
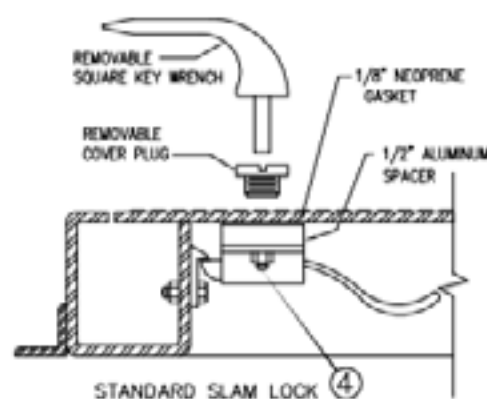
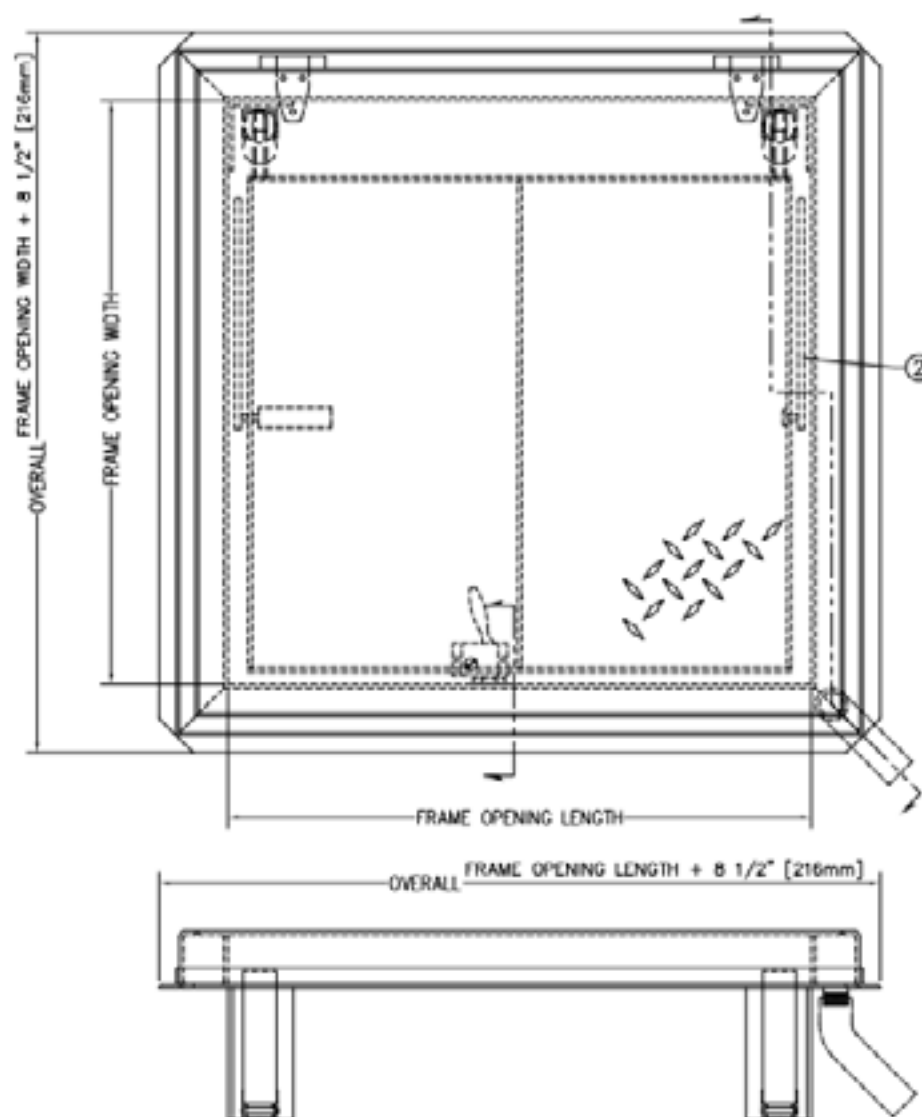
STEEL: RED OXIDE PRIMER

HARDWARE: ZINC PLATED & CHROMATE SEALED  
(unless otherwise specified)

REINFORCED FOR 300 Lbs. PER Sq. Ft.  
(1464 kg. PER Sq. METER) LIVE LOAD

### INSTALLER NOTES:

- A. Use caution. Cover is spring loaded. Do not remove safety shipping bolt until unit is to be installed and in normal horizontal operating position.
- B. Be sure unit is set on slight pitch toward drain corner.
- C. Before anchoring in place open and close door. Check to see that the door in the closed position rests on the frame all around. If not, shim under the frame at the proper corner.
- D. Do not reduce 1 1/2" drain pipe to dry well or disposal system.



WE ALSO DO  
**CUSTOM!**

Scan to view pricing.



TOLL FREE PHONE:  
1-800-483-0823

[www.BestAccessDoors.ca](http://www.BestAccessDoors.ca)