



Quality Access Doors- FAST!

SUBMITTAL/TECHNICAL DATA SHEET

SPECIFICATIONS

01. Heavy duty forged stainless steel hinges with stainless steel pins
02. Automatic hold open arm
03. 1-1/2" Drain coupling
04. Standard slam lock
05. 1/4" Aluminum diamond pattern plate cover
06. 1/4" Aluminum channel frame with recessed anchors
07. Stainless steel spring lifting mechanism

SHOP FINISH:

ALUMINUM: Mill finish

HARDWARE: Type 316 Stainless steel
(Unless otherwise specified)

SKU: **BAG-J-1ALH20**

SINGLE LEAF ACCESS DOOR

TYPE J-ALH20- EXTERIOR



DIMENSIONS AND APPEARANCE

>> CLICK TO VIEW ADDITIONAL DETAILS AND PRICING <<

Reinforced for H20 loading

INSTALLER NOTES:

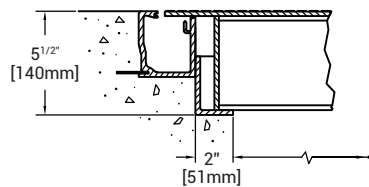
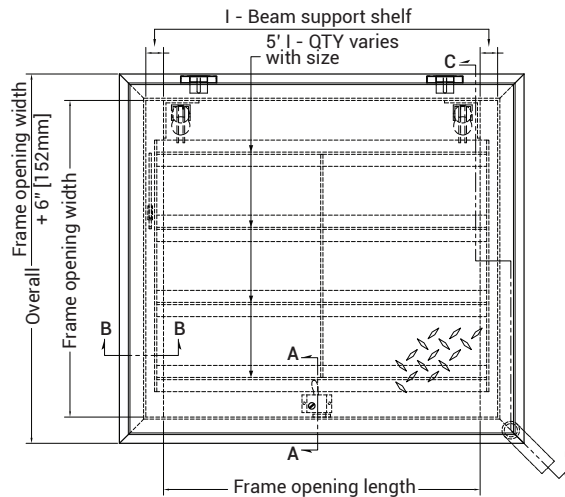
A. Use caution. Cover is spring loaded. Do not remove safety shipping bolt until unit is to be installed and in normal horizontal operating position.

B. Be sure unit is set on slight pitch toward drain corner.

C. Before anchoring in place open and close door. Check to see that the door in the closed position rests on the frame all around. If not, shim under the frame at the proper corner.

D. Do not reduce 1 1/2" drain pipe to dry well or disposal system.

E. Bend down anchors if required

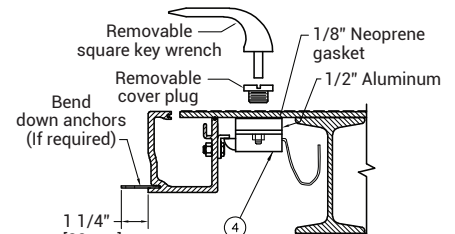


Channel support shelf must be supported by concrete or steel to carry H-20 loading

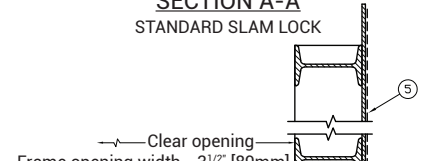
SECTION B-B

NOTE:

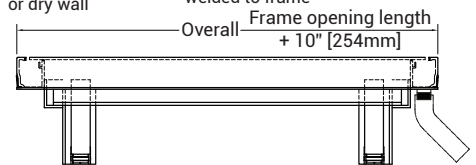
DESIGNED TO WITHSTAND H-20 WHEEL LOADING SUITABLE FOR USE IN OFFSTREET LOCATIONS WHERE NOT SUBJECTED TO HIGH DENSITY TRAFFIC



SECTION A-A STANDARD SLAM LOCK



SECTION C-C



For a complete list of options visit www.BestAccessDoors.ca

QTY	TYPE	SIZE WIDTH X LENGTH
█	J-1ALH20	2'-0" X 2'-0" [610mm] X [610mm]
█	J-2ALH20	2'-6" X 2'-6" [762mm] X [762mm]
█	J-3ALH20	3'-0" X 2'-6" [914mm] X [762mm]
█	J-4ALH20	3'-0" X 3'-0" [914mm] X [914mm]
█	J-5ALH20	3'-6" X 3'-6" [1065mm] X [1065mm]

PROJECT DATA

Custom Sizes Available - Fast!

Scan or Click



BEST ACCESS DOORS

PROJECT NAME :	QTY	W	H	OPTIONS
ARCHITECT :				
DEALER :				
CONTRACTOR :				
LOCATION :	SPECIAL INSTRUCTIONS :			
DATE :				
TAGGING INSTRUCTIONS :	SUBMITTAL APPROVAL : (signature or stamp)			

TELEPHONE:
1-800-483-0823
FAX:
1-888-828-6021

385 WILSON STREET EAST,
SUITE 302
ANCASTER, ON, L9G 2C1
CANADA

WEBSITE:
www.BestAccessDoors.ca
E-MAIL:
info@bestaccessdoors.ca

To view Pricing and Additional Product Info.