



Quality Access Doors- FAST!

SUBMITTAL/TECHNICAL DATA SHEET

SKU: **BAG-J-1**

SINGLE LEAF ACCESS DOOR

TYPE J - INTERIOR/EXTERIOR



SPECIFICATIONS

01. Heavy duty forged stainless steel hinges with stainless steel pins
02. Guide arm (If req'd)
03. 1-1/2" Drain coupling
04. Standard slam lock
05. Automatic hold open arm with Red vinyl grip
06. 1/4" Steel diamond pattern plate cover
07. 1/4" Steel channel frame with welded 1 1/4" x 1 1/4" anchor flange
08. Stainless steel lock strike
09. Spring lifting mechanism

SHOP FINISH:

ALUMINUM: Mill finish

HARDWARE: Non-corrosive materials (Unless otherwise specified)

Reinforced for 300 Lbs. Per Sq. Ft. (1464 KG. Per Sq. Meter) live load

INSTALLER NOTES:

A. Use caution. Cover is spring loaded. Do not remove safety shipping bolt until unit is to be installed and in normal horizontal operating position.

B. Be sure unit is set on slight pitch toward drain corner.

C. Before anchoring in place open and close door. Check to see that the door in the closed position rests on the frame all around. If not, shim under the frame at the proper corner.

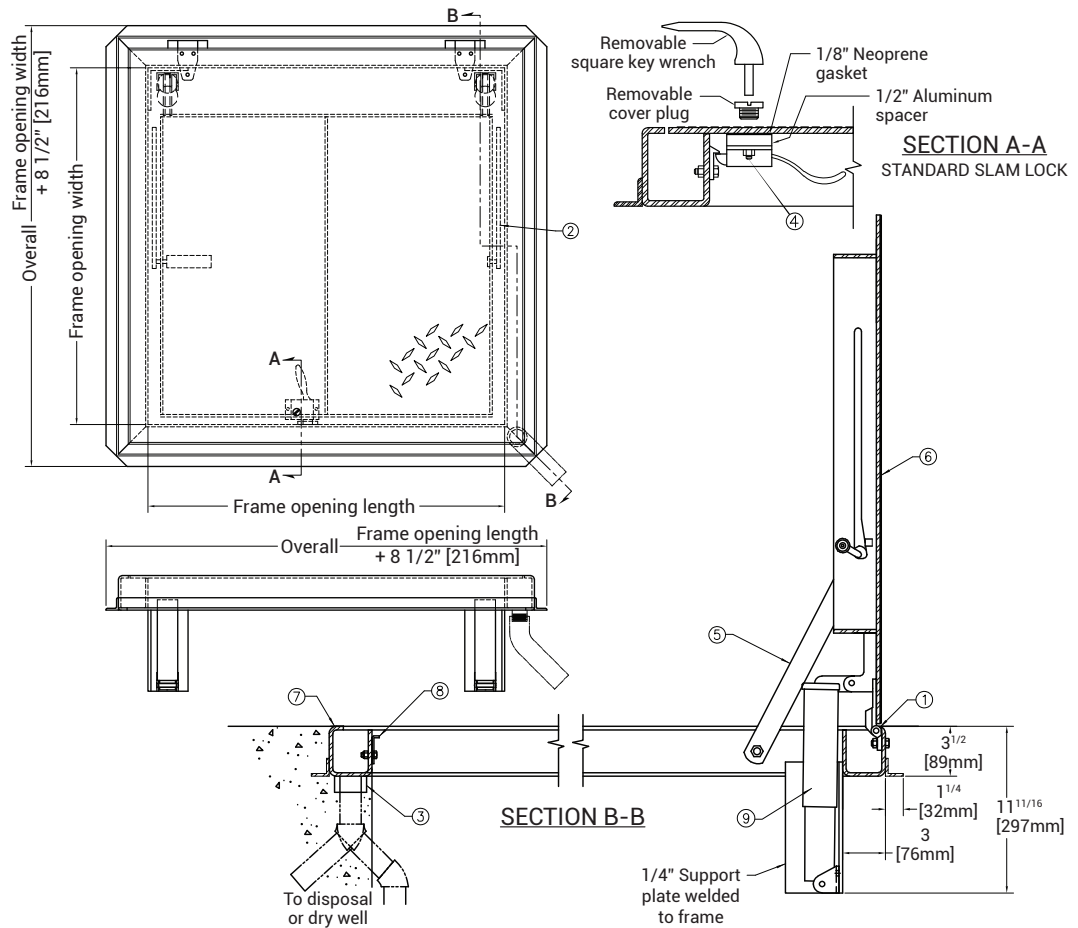
D. Do not reduce 1 1/2" drain pipe to dry well or disposal system.

For a complete list of options visit www.BestAccessDoors.ca

QTY	TYPE	SIZE WIDTH X LENGTH
<input type="checkbox"/>	J-1	2'-0" X 2'-0" [610mm] X [610mm]
<input type="checkbox"/>	J-2	2'-6" X 2'-6" [762mm] X [762mm]
<input type="checkbox"/>	J-3	3'-0" X 2'-6" [914mm] X [762mm]
<input type="checkbox"/>	J-4	3'-0" X 3'-0" [914mm] X [914mm]
<input type="checkbox"/>	J-5	3'-6" X 3'-6" [1065mm] X [1065mm]

DIMENSIONS AND APPEARANCE

>> CLICK TO VIEW ADDITIONAL DETAILS AND PRICING <<



PROJECT DATA

Custom Sizes Available - Fast!

Scan or Click



BEST ACCESS DOORS

To view Pricing and Additional Product Info.

PROJECT NAME :	QTY	W	H	OPTIONS
ARCHITECT :				
DEALER :				
CONTRACTOR :				
LOCATION :	SPECIAL INSTRUCTIONS :			
DATE :				
TAGGING INSTRUCTIONS :	SUBMITTAL APPROVAL : (signature or stamp)			

TELEPHONE:
1-800-483-0823

FAX:
1-888-828-6021

385 WILSON STREET EAST,
SUITE 302
ANCASTER, ON, L9G 2C1
CANADA



WEBSITE:
www.BestAccessDoors.ca

E-MAIL:
info@bestaccessdoors.ca