



Quality Access Doors - FAST!

SUBMITTAL/TECHNICAL DATA SHEET

SPECIFICATIONS

01. Frame with capflashing (corners full welded)
GS-50 - 11 Gauge aluminum
02. Pintle hinge
03. Gasket (All around cover)
04. Extruded aluminum cover frame
05. Polycarbonate dome (Clear)
06. Spring lifting mechanism
07. 1" Rigid fiberboard insulation
08. Outside handle with padlock hasp
09. Inside handle with padlock hasp
10. Arm guide bracket
11. Condensate channel with drainage to exterior
12. Hold open ARM with Red vinyl grip
13. Butyl sealant
14. Lock strike & padlock hasp
15. Bilclip® flashing system

SHOP FINISH:

ALUMINUM: mill finish

HARDWARE: non-corrosive materials
(Unless otherwise specified)

This product may be installed on either a flat or sloping roof. When installed on a slope, the hinge side must run parallel with the slope. If slope exceeds 30°, advise factory for modification.

For a complete list of options visit
www.BestAccessDoors.ca

QTY TYPE MATERIAL

GS-50D ALUM. COVER/ALUM. FRAME

TYPE F SIZE 3'-0" X 2'-6" (WIDTH X LENGTH)

SKU: **BAG-GS-50D**

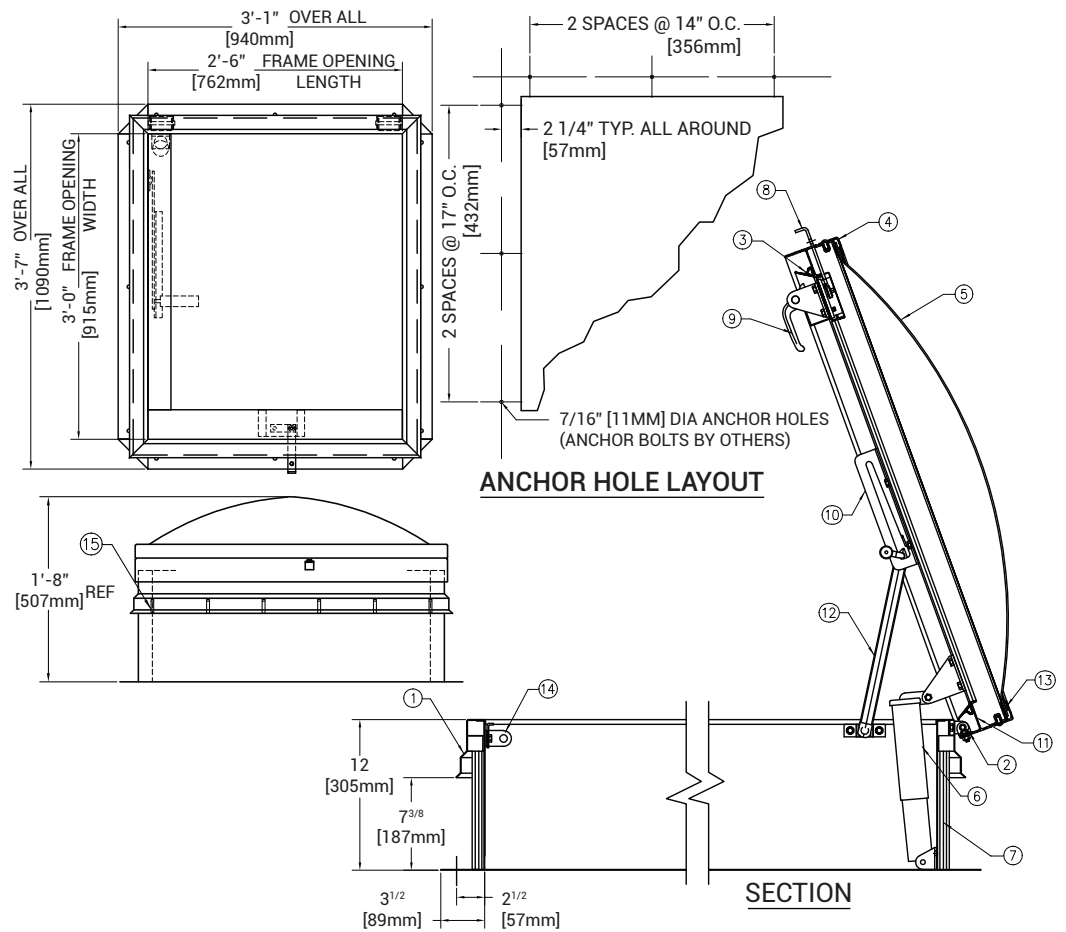
SINGLE LEAF ROOF SCUTTLE

DOMED TYPE



DIMENSIONS AND APPEARANCE

>> CLICK TO VIEW ADDITIONAL DETAILS AND PRICING <<



PROJECT DATA

Custom Sizes Available - Fast!

PROJECT NAME :	QTY	W	H	OPTIONS
ARCHITECT :				
DEALER :				
CONTRACTOR :				
LOCATION :	SPECIAL INSTRUCTIONS :			
DATE :				
TAGGING INSTRUCTIONS :	SUBMITTAL APPROVAL : (signature or stamp)			

Scan or Click



To view Pricing and
Additional Product Info.

TELEPHONE:
1-800-483-0823

FAX:
1-888-828-6021

385 WILSON STREET EAST,
SUITE 302
ANCASTER, ON, L9G 2C1
CANADA

WEBSITE:
www.BestAccessDoors.ca

E-MAIL:
info@bestaccessdoors.ca