



Quality Access Doors- FAST!

SUBMITTAL/TECHNICAL DATA SHEET

DESCRIPTIONS

These Access Panels made from glass fiber reinforced gypsum and 70% post-consumer recycled glass for a sustainable design that blends seamlessly into your walls and ceilings. GRG Access Doors are taped and finished to integrate with the drywall ceiling with the minimum of visible lines.

FEATURES

- Tapered edge for tape joint
- Single trade installation
- Reduce labor costs
- Zero mold & fungus growth
- No shrinking, cracking, sagging or rusting
- Blends seamlessly into surrounding drywall
- Concealed hinge
- Easily textured
- Moisture resistant
- Lightweight

SPECIFICATIONS

SHELL THICKNESS: 1/8" to 3/16"

FASLENER TESL PULL OUT (WOOD STUD) : 525 lb avg.

FASLENERTEST PULL OUT (MELAL STUD) : 215 lb avg.

FASLENER PUSH THROUGH TEST: 350 lb avg.

FUEL CONTRIBUTION (ASTM E84-80): 0

FLAME SPREAD (ASTM E84-80): 0

SMOKE INDEX (ASTM E84-80): 0

COMBUSTION (ASTM E84-80): Non-combustible

CLASS A NON-RATED: -

CSI CODE: CSI #08310

For a complete list of options visit www.BestAccessDoors.ca

SKU: **BAC-GFRC-R**

POP-OUT RADIUS CORNER ACCESS PANEL



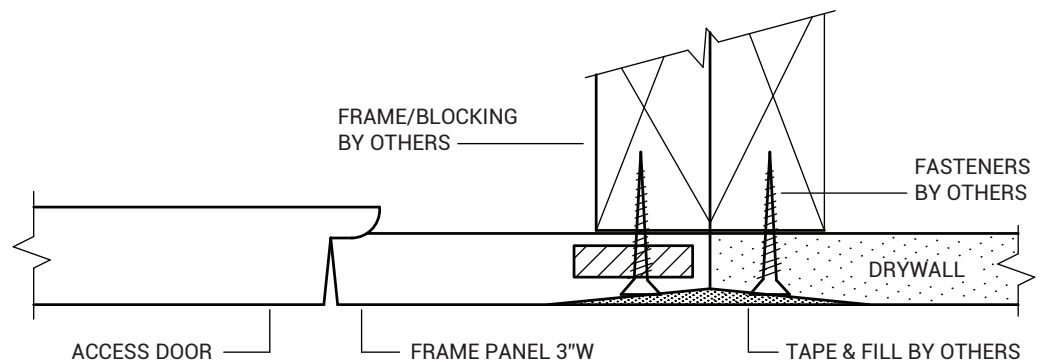
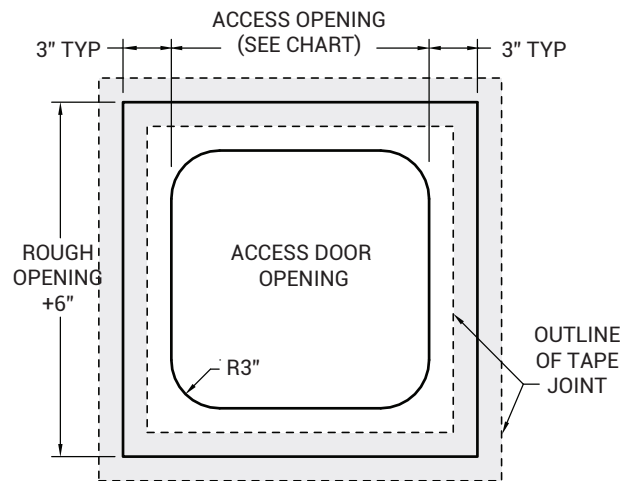
DIMENSIONS AND APPEARANCE

>> CLICK TO VIEW ADDITIONAL DETAILS AND PRICING <<

STANDARD SIZES:

STOCK	ACCESS DOOR OPENING SIZE	ROUGH OPENING SIZE
RC-580008	8" X 8"	14" X 14"
RC-580009	9" X 9"	15" X 15"
RC-580012	12" X 12"	18" X 18"
RC-580016	16" X 16"	22" X 22"
RC-580018	18" X 18"	24" X 24"
RC-580020	20" X 20"	26" X 26"
RC-580024	24" X 24"	30" X 30"
RC-580030	30" X 30"	36" X 36"
RC-580036	36" X 36"	42" X 42"
RC-580042	42" X 42"	48" X 48"
RC-580048	48" X 48"	54" X 54"
RC-581216	12" X 16"	18" X 22"
RC-581218	12" X 18"	18" X 24"
RC-581224	12" X 24"	18" X 30"
RC-581236	12" X 36"	18" X 42"
RC-581836	18" X 36"	24" X 42"

* Neoprene Gasket Available Upon Request



PROJECT DATA

Custom Sizes Available - Fast!

PROJECT NAME :	QTY	W	H	OPTIONS
ARCHITECT :				
DEALER :				
CONTRACTOR :				
LOCATION :	SPECIAL INSTRUCTIONS :			
DATE :				
TAGGING INSTRUCTIONS :	SUBMITTAL APPROVAL : (signature or stamp)			

Scan or Click



To view Pricing and Additional Product Info.

TELEPHONE:
1-800-483-0823
FAX:
1-888-828-6021

385 WILSON STREET EAST,
SUITE 302
ANCASTER, ON, L9G 2C1
CANADA



WEBSITE:
www.BestAccessDoors.ca
E-MAIL:
info@bestaccessdoors.ca