



Quality Access Doors- FAST!

SUBMITTAL/TECHNICAL DATA SHEET

APPLICATION

- For installation in drywall ceilings requiring concealing of the door panel consistent to surroundings
- For use in Fire Rated Ceilings that needs tested and certified doors having Fire Resistance Rating of 90 minutes

FEATURES

- Recessed reinforced insulated door fitted with 5/8" Fire-rated drywall.
- Concealed hinge & self-centering device ensures seamless appearance in ceiling
- Self-closing & self-latching door mechanism
- Perforated Frame ensures trouble-free application of skim coat to edge of the door
- Zinc coated steel provides superior corrosion resistance
- Testing Standards – CAN ULC S101-14, ASTM E119-16 and NFPA 251• Recessed reinforced insulated door fitted with 5/8" Fire-rated drywall.
- Concealed hinge & self-centering device ensures seamless appearance in ceiling
- Self-closing & self-latching door mechanism
- Perforated Frame ensures trouble-free application of skim coat to edge of the door
- Zinc coated steel provides superior corrosion resistance
- Testing Standards – CAN ULC S101-14, ASTM E119-16 and NFPA 251

SPECIFICATIONS

DOOR: Steel-22 Gauge recessed fitted with 5/8" thick drywall suitable to accept skim coat finish on site.

DOOR FRAME: Steel-22 Gauge press bent for strength and rigidity with pre-punched flanges for convenient mounting and accepting skim coat finish on site

HINGE: Concealed

FIRE RATING (CEILINGS): Meets 90 minutes Fire Resistance Rating in accordance with CAN ULC S101-14, ASTM E119-16 and NFPA 251

LATCH: Self-latching bolt, operated by flush key

FINISH: Satin coat steel

SKU: **BAG-FWC-5015**

FIRE RATED ACCESS DOOR

RECESSED FOR DRYWALL CEILINGS



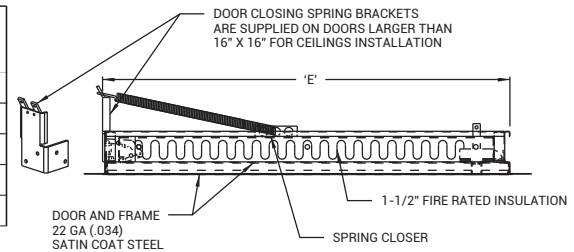
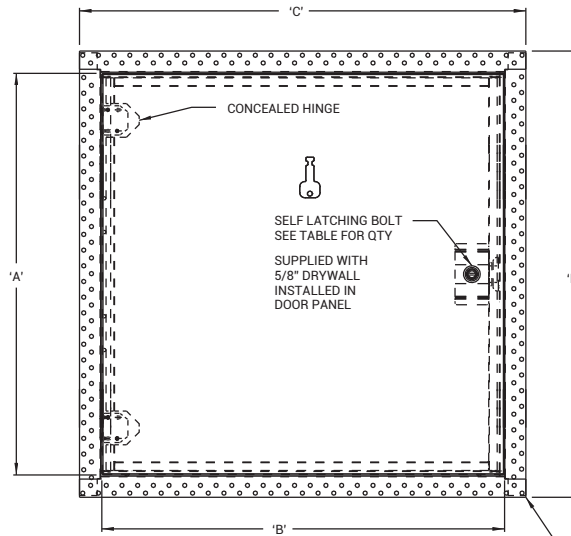
DIMENSIONS AND APPEARANCE

>> CLICK TO VIEW ADDITIONAL DETAILS AND PRICING <<

DOOR SIZE W x H INCHES (MM)	LATCHES	WEIGHT	
		LBS	KG
12 x 12 (305 x 305)	1	11	5.0
16 x 16 (406 x 406)	1	16	7.0
18 x 18 (457 x 457)	1	21	10
24 x 24 (610 x 610)	1	35	16
24 x 36 (610 x 914)	2	44	20

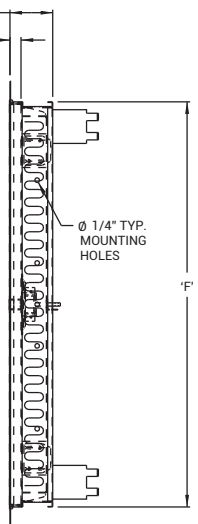
Ceiling opening is $W + 3/8"$ (9 mm)
For detailed specifications see submittal sheet

MANUFACTURED BY ACUDOR



FOR USE IN FIRE RATED CEILINGS THAT REQUIRE DOORS TO BE TESTED AND CERTIFIED FOR FIRE RESISTANCE RATING OF 90 MINUTES IN ACCORDANCE WITH CAN ULC S101-14, ASTM E119-16 AND NFPA 251 (MAX. SIZE 24" X 36").

PATENT PENDING



For a complete list of options visit www.BestAccessDoors.ca

PROJECT DATA

Custom Sizes Available - Fast!

Scan or Click



To view Pricing and Additional Product Info.

PROJECT NAME :	QTY	W	H	OPTIONS
ARCHITECT :				
DEALER :				
CONTRACTOR :				
LOCATION :	SPECIAL INSTRUCTIONS :			
DATE :				
TAGGING INSTRUCTIONS :	SUBMITTAL APPROVAL : (signature or stamp)			

TELEPHONE:
1-800-483-0823

FAX:
1-888-828-6021

385 WILSON STREET EAST,
SUITE 302
ANCASTER, ON, L9G 2C1
CANADA



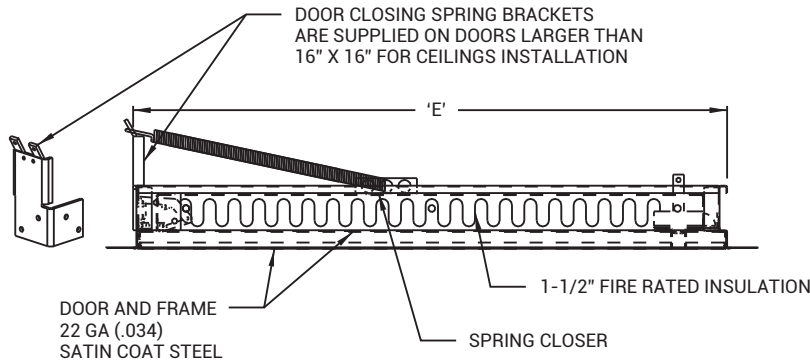
WEBSITE:
www.BestAccessDoors.ca

E-MAIL:
info@bestaccessdoors.ca

BAC-FWC-5015

RECESSED FOR DRYWALL CEILING

NOMINAL DOOR SIZE	A	B	C	D	E	F	LATCH
Inches (mm)							
12 x 12 (305 x 305)	11.83 (756)	11.89 (302)	14.48 (368)	14.48 (813)	12.17 (309)	12.04 (306)	1
14 x 14 (356 x 356)	13.83 (909)	13.89 (353)	16.48 (419)	16.48 (965)	14.17 (360)	14.04 (357)	1
16 x 16 (406 x 406)	15.83 (909)	15.89 (404)	18.48 (469)	18.48 (965)	16.17 (411)	16.04 (407)	1
18 x 18 (457 x 457)	17.83 (1214)	17.89 (454)	20.48 (520)	20.48 (1270)	18.17 (462)	18.04 (458)	1
24 x 24 (610 x 610)	23.83 (756)	23.89 (607)	26.48 (673)	26.48 (813)	24.17 (614)	24.04 (611)	1
24 x 36 (610 x 914)	35.83 (909)	23.89 (607)	26.48 (673)	38.48 (965)	24.17 (614)	36.04 (915)	2



CEILING

FOR USE IN FIRE RATED CEILING THAT REQUIRE DOORS TO BE TESTED AND CERTIFIED FOR FIRE RESISTANCE RATING OF 90 MINUTES IN ACCORDANCE WITH CAN ULC S101-14, ASTM E119-16 AND NFPA 251 (MAX. SIZE 24" X 36").

