



Quality Access Doors - FAST!

# SUBMITTAL/TECHNICAL DATA SHEET

SKU: **BAG-FSR**

## DRYWALL INLAY ACCESS PANEL - ROUND

WITH CONCEALED FRAME



### DESCRIPTION

The Access panel consists of an aluminum frame which virtually disappears once installed in the wall.

Equipped with concealed mechanical touch-latches, the round access door is available with 1/2" (12.7 mm) and 5/8" (15.9 mm) drywall and blends seamlessly into the surrounding wall or ceiling and just a small reveal of 1/16" (1.59 mm) is visible between the outer frame and door hatch.

The door is fully removable and offers a very functional yet aesthetically pleasing solution.

### FEATURES

- Screwdriver operated cam latch
- Screwdriver operated four-square cam latch
- Round Cylinder Lock with Key
- Hex Head Cam Latch
- Pinned Hex Head Cam Latch

### ADVANTAGE

- Superior engineering & innovative design
- Quick and Easy installation
- Solid aluminum frame
- For installation in ceilings and walls

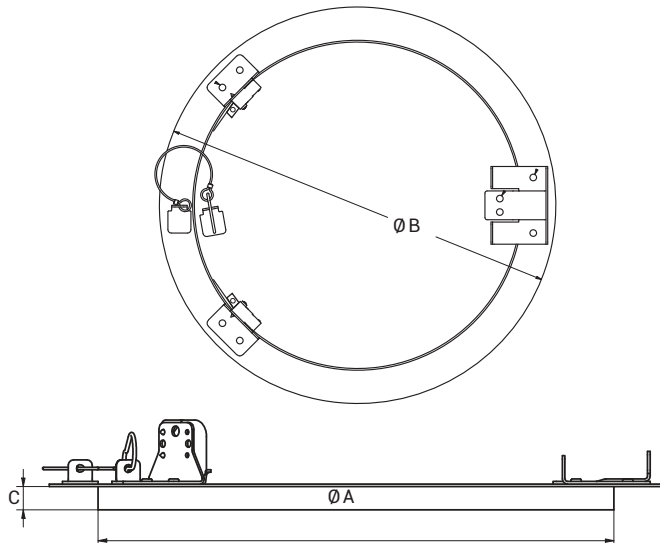
### ■ DIMENSIONS AND APPEARANCE

>> [CLICK TO VIEW ADDITIONAL DETAILS AND PRICING <<](#)

AVAILABLE IN THE FOLLOWING STANDARD SIZES:

System FSR CODE	Dimension			
	A		B	
	inch	mm	inch	mm
R200G127	8"	203	10"	260
R300G127	12"	305	14"	360
R400G127	16"	406	18"	457
R500G127	20"	508	22"	560
R600G127	24"	610	26"	660

\* Rough opening is door size +3/8" (9mm)  
All standard sizes are available in 1/2" (12.7 mm) or 5/8" (15.9 mm) drywall.



For a complete list of options visit [www.BestAccessDoors.ca](http://www.BestAccessDoors.ca)

### ■ PROJECT DATA

Custom Sizes Available - Fast!

PROJECT NAME :	QTY	W	H	OPTIONS
ARCHITECT :				
DEALER :				
CONTRACTOR :				
LOCATION :	SPECIAL INSTRUCTIONS :			
DATE :	SUBMITTAL APPROVAL : (signature or stamp)			
TAGGING INSTRUCTIONS :				

Scan or Click



To view Pricing and Additional Product Info.

TELEPHONE:  
1-800-483-0823  
FAX:  
1-888-828-6021



385 WILSON STREET EAST,  
SUITE 302  
ANCASTER, ON, L9G 2C1  
CANADA



WEBSITE:  
[www.BestAccessDoors.ca](http://www.BestAccessDoors.ca)  
E-MAIL:  
[info@bestaccessdoors.ca](mailto:info@bestaccessdoors.ca)