



Quality Access Doors- FAST!

SUBMITTAL/TECHNICAL DATA SHEET

APPLICATION

Indoor or Outdoor applications where dirt and water are prevented from falling into work area. Drainage is provided through threaded coupling in channel

FEATURES

- Angle frame construction with integral anchor flange is designed to be cast into concrete
- Diamond plate door panel is equipped with a flush aluminum drop handle and an automatic hold open arm, along with stainless steel compression spring & stainless steel slamlock
- Designed for off-street locations that may occasionally receive AASHTO H 20-44 wheel loads

SPECIFICATIONS

MATERIAL: Aluminum door and frame; stainless steel hinges and hardware

DOOR: 1/4" aluminum diamond plate reinforced to meet AASHTO specification H 20-44 for traffic loading (16000 lb. wheel load over 10" x 20" area with 30% added for impact)

HINGE: Stainless steel butt hinges with tamperproof stainless steel bolts and nuts

FRAME: Angle frame fabricated from aluminum extrusion with an integral 1" anchor flange

OPENING DEVICE: Automatic hold open arm with red vinyl grip allows door panel to open to 90 degrees, locking door in open position, and allowing for easy control when closing door panel. Stainless steel compression springs provide lift assistance. Available with electrical actuators, operated by wall mounted push button switch, and remote control

STANDARD LATCH: Flush aluminum drop handle, stainless steel slamlock with a fixed inside handle, removable outside handle, and removable threaded plug

FINISH: Mill finish, with bituminous coating on exterior of frame

For a complete list of options visit www.BestAccessDoors.ca

Scan or Click



To view Pricing and Additional Product Info.

SKU: **BAC-FC-H7**

FLOOR DOOR

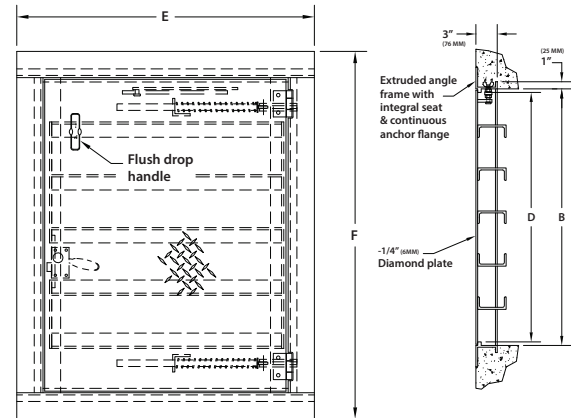
H2O LOADING



DIMENSIONS AND APPEARANCE

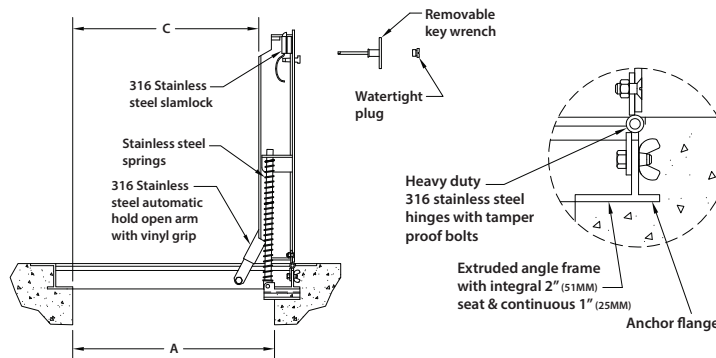
>> CLICK TO VIEW ADDITIONAL DETAILS AND PRICING <<

DOOR SIZE W x H INCHES (MM)	WEIGHT	
	LBS	KG
24 x 24 (610 x 610)	62	28
24 x 30 (610 x 762)	65	30
24 x 36 (610 x 914)	87	39
30 x 30 (762 x 762)	86	39
30 x 48 (762 x 1219)	133	60
36 x 36 (914 x 914)	122	55
36 x 48 (914 x 1219)	150	68
42 x 42 (1067 x 1067)	170	77
*48 x 48 (1219 x 1219)	221	100
*48 x 72 (1219 x 1829)	330	150
*60 x 60 (1524 x 1524)	399	181



* DOUBLE LEAF
For detailed specifications see submittal sheet

MANUFACTURED BY ACUDOR



NOTES:

- MATERIAL: ALUMINUM WITH STAINLESS STEEL NUTS & BOLTS, SPRINGS AND HOLD OPEN ARM.
- MATERIAL: ALUMINUM WITH STAINLESS STEEL NUTS & BOLTS, SPRINGS AND HOLD OPEN ARM.
- LOADING: DESIGNED FOR OFF-STREET LOCATIONS WHICH MAY OCCASIONALLY RECEIVE H-20 WHEEL LOADS.
- BITUMINOUS COATING IS APPLIED TO AREA OF FRAME IN CONTACT WITH CONCRETE

OPTIONAL FEATURES

- RECESSED STAPLE FOR PADLOCK
- OTHERS: _____

PROJECT DATA

Custom Sizes Available - Fast!

PROJECT NAME :	QTY	W	H	OPTIONS
ARCHITECT :				
DEALER :				
CONTRACTOR :				
LOCATION :	SPECIAL INSTRUCTIONS :			
DATE :				
TAGGING INSTRUCTIONS :	SUBMITTAL APPROVAL : (signature or stamp)			

TELEPHONE:
1-800-483-0823
FAX:
1-888-828-6021

385 WILSON STREET EAST,
SUITE 302
ANCASTER, ON, L9G 2C1
CANADA

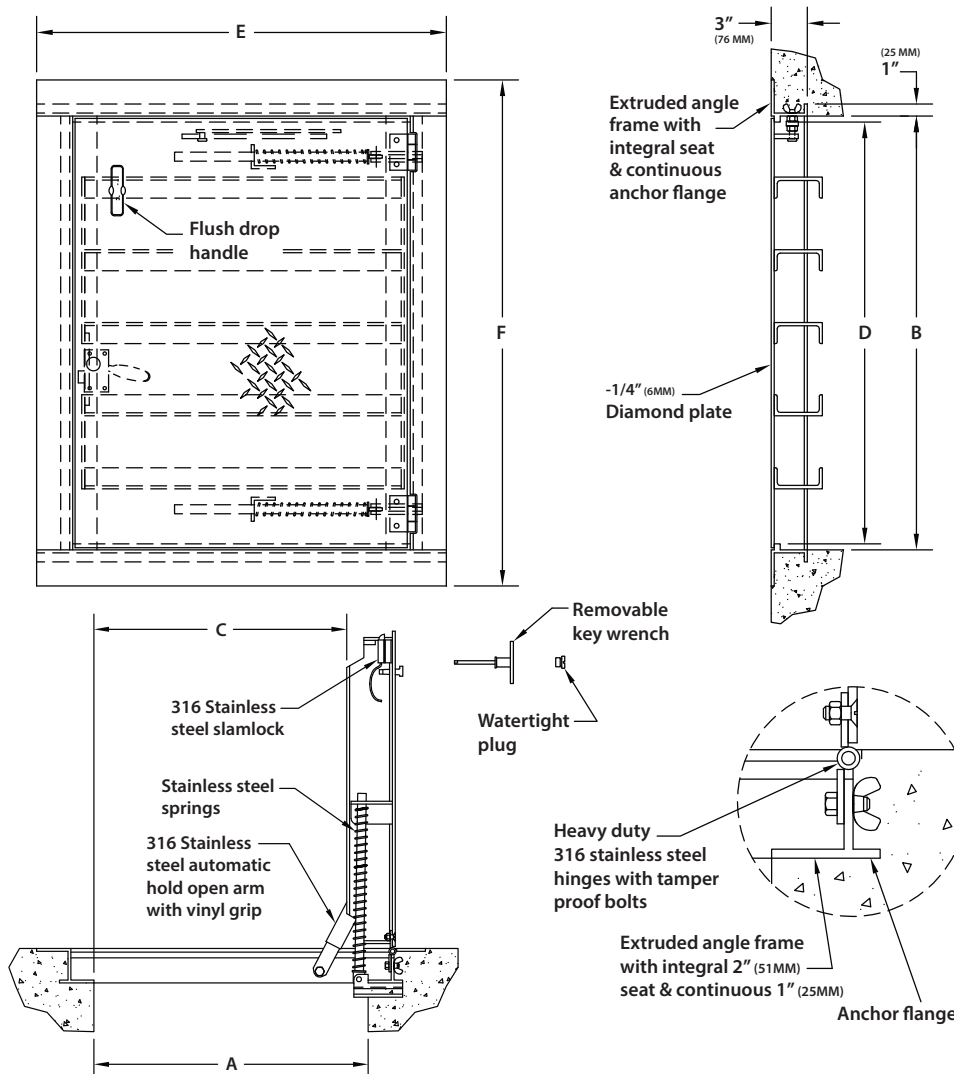
WEBSITE:
www.BestAccessDoors.ca
E-MAIL:
info@bestaccessdoors.ca



BAC-FC-H7

**ANGLE FRAME FLOOR DOOR
H2O LOADING - SINGLE LEAF**

NOMINAL DOOR SIZE	FRAME OPENING		CLEAR OPENING		OVERALL SIZE		WEIGHT
	in. (mm)	A in. (mm)	B in. (mm)	C in. (mm)	D in. (mm)	E in. (mm)	
24 x 24 (610 x 610)	24 (610)	24 (610)	22 (559)	23 (584)	34 (864)	30 (762)	62 (28)
24 x 30 (610 x 914)	24 (610)	30 (762)	22 (559)	28 (711)	34 (864)	36 (914)	65 (30)
24 x 36 (610 x 914)	24 (610)	36 (914)	22 (559)	35 (889)	34 (864)	42 (1067)	87 (39)
30 x 30 (762 x 762)	30 (762)	30 (762)	28 (711)	29 (737)	40 (1016)	36 (914)	86 (39)
30 x 48 (762 x 1219)	30 (762)	48 (1219)	28 (711)	47 (1194)	40 (1016)	54 (1372)	133 (60)
36 x 36 (914 x 914)	36 (914)	36 (914)	33 (838)	35 (889)	46 (1168)	42 (1067)	122 (55)
36 x 48 (914 x 1219)	36 (914)	48 (1219)	33 (838)	45 (1143)	46 (1168)	43 (1092)	150 (68)
42 x 42 (1067 x 1067)	42 (1067)	42 (1067)	33 (990)	39 (990)	52 (1320)	52 (1320)	170 (77)



NOTES:

- MATERIAL: ALUMINUM WITH STAINLESS STEEL SPRINGS. 316 STAINLESS STEEL NUTS & BOLTS, HINGES AND HOLD OPEN ARM.
- LOADING: DESIGNED FOR OFF-STREET LOCATIONS WHICH MAY OCCASIONALLY RECEIVE H-20 WHEEL LOADS.
- BITUMINOUS COATING IS APPLIED TO AREA OF FRAME IN CONTACT WITH CONCRETE

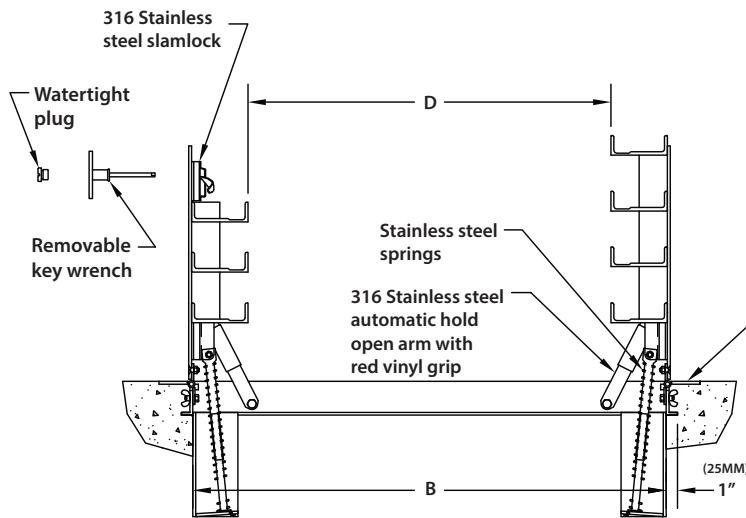
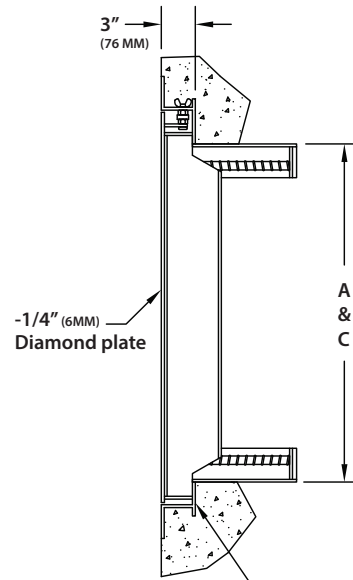
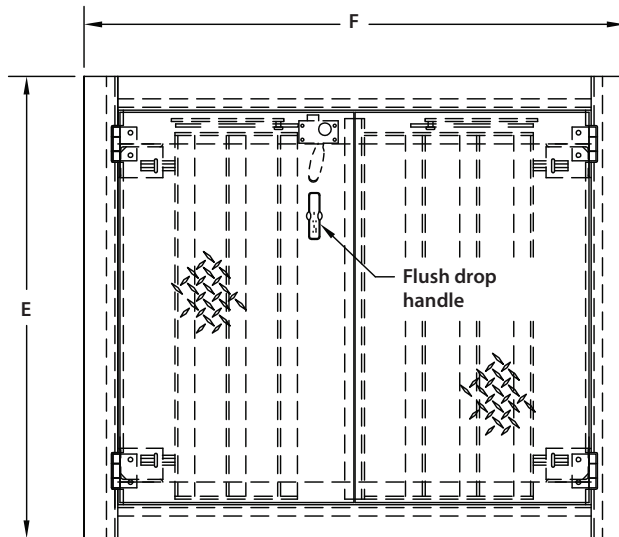
OPTIONAL FEATURES

- RECESSED STAPLE FOR PADLOCK
- OTHERS: _____

BAC-FC-H7

ANGLE FRAME FLOOR DOOR H2O LOADING - DOUBLE LEAF

NOMINAL DOOR SIZE	FRAME OPENING		CLEAR OPENING		OVERALL SIZE		WEIGHT
in. (mm)	A in. (mm)	B in. (mm)	C in. (mm)	D in. (mm)	E in. (mm)	F in. (mm)	LBS. (KG)
48 x 48 (610 x 610)	48 (1219)	48 (1219)	48 (1219)	36 (914)	59 (1499)	54 (1372)	221 (100)
48 x 72 (610 x 1829)	48 (1219)	48 (1219)	48 (1219)	60 (1524)	59 (1499)	78 (1981)	330 (150)
60 x 60 (1524 x 1524)	60 (1524)	60 (1524)	60 (1524)	44 (1118)	71 (1803)	66 (1676)	399 (181)



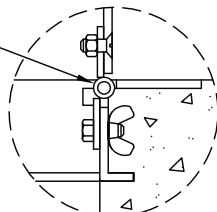
Extruded angle frame with integral 2" (51MM) seat (3" (76MM) opposite side) & continuous 1" (25MM) anchor flange

Extruded angle frame with integral seat & continuous anchor flange

NOTES:

- MATERIAL: ALUMINUM WITH STAINLESS STEEL SPRINGS. 316 STAINLESS STEEL NUTS & BOLTS, HINGES AND HOLD OPEN ARM.
- LOADING: DESIGNED FOR OFF-STREET LOCATIONS WHICH MAY OCCASIONALLY RECEIVE H-20 WHEEL LOADS.
- BITUMINOUS COATING IS APPLIED TO AREA OF FRAME IN CONTACT WITH CONCRETE

Heavy duty 316 stainless steel hinges with tamper proof bolts



OPTIONAL FEATURES

- RECESSED STAPLE FOR PADLOCK
- OTHERS: _____