



Quality Access Doors- FAST!

SUBMITTAL/TECHNICAL DATA SHEET

APPLICATION

- For drywall walls applications.
- Designed to maintain continuity in a 2 hour fire rated wall, when temperature rise is not a factor

FEATURES

- Concealed hinge
- Self-closing
- Self-Latching
- Inside latch release
- Drywall taping bead
- Available with a removable door panel

SPECIFICATIONS

MATERIAL: Steel or Stainless Steel

DOOR: 16 gauge

MOUNTING FRAME: 16 gauge. Flush to frame with reinforced edges, drywall taping bead flange

HINGE: Concealed

FIRE RATING (WALLS): UL – 1-1/2 hour "B" label. ULC – 2 hour "B" label. (optional) Max size 36 x 48

STANDARD LATCH: Universal self-latching bolt, operated by either a knurled knob or flush key. When master keying is required, doors can be prepared for rim or mortise cylinder locks.

FINISH: Steel: 5 stage iron phosphate preparation with prime coat of White alkyl baked-on enamel

STAINLESS STEEL: Type 304 - #4 satin polish optional

SKU: **BAC-FB-5060-DW**

FIRE-RATED UNINSULATED

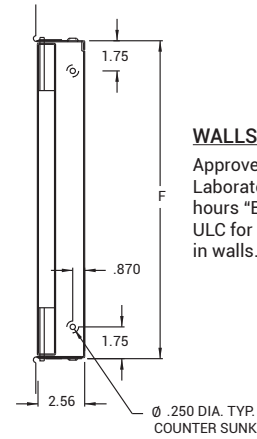
FOR DRYWALL WALLS



DIMENSIONS AND APPEARANCE

>> CLICK TO VIEW ADDITIONAL DETAILS AND PRICING <<

| DOOR SIZE W x H INCHES (MM) | LATCHES | WEIGHT | |
|-----------------------------|---------|--------|------|
| | | LBS | KG |
| 8 x 8 (203 x 203) | 1 | 5.50 | 2.50 |
| 10 x 10 (254 x 254) | 1 | 6.70 | 2.90 |
| 12 x 12 (305 x 305) | 1 | 8.30 | 3.80 |
| 14 x 14 (355 x 355) | 1 | 9.50 | 4.30 |
| 16 x 16 (406 x 406) | 1 | 11.5 | 5.20 |
| 18 x 18 (457 x 457) | 1 | 14.3 | 6.50 |
| 22 x 30 (559 x 759) | 1 | 32.5 | 14.5 |
| 22 x 36 (559 x 914) | 2 | 28.0 | 12.7 |
| 24 x 24 (610 x 610) | 1 | 20.3 | 9.20 |
| 24 x 36 (610 x 914) | 2 | 28.5 | 12.9 |
| 24 x 48 (610 x 1219) | 2 | 34.0 | 15.4 |
| 30 x 30 (762 x 762) | 2 | 28.5 | 12.9 |
| 36 x 36 (914 x 914) | 2 | 38.0 | 17.2 |
| 36 x 48 (914 x 1220) | 2 | 47.5 | 21.5 |

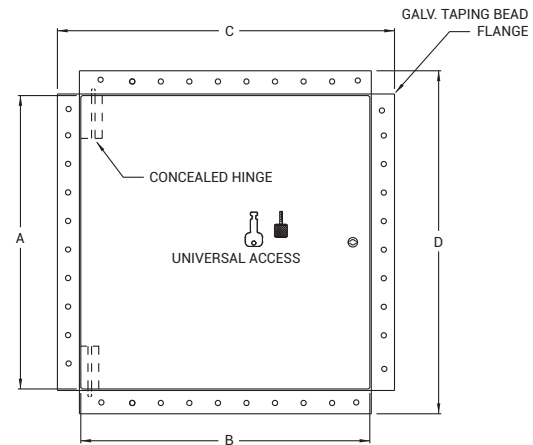
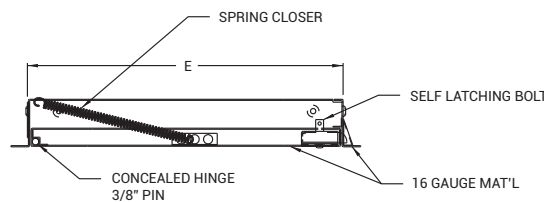


WALLS

Approved by Underwriters Laboratories (UL) for 1 1/2 hours "B" label in walls and ULC for 2 hours "B" label in walls.

Wall opening is W + 3/8" (9 mm)
For detailed specifications see submittal sheet

MANUFACTURED BY ACUDOR



For a complete list of options visit www.BestAccessDoors.ca

PROJECT DATA

Custom Sizes Available - Fast!

| PROJECT NAME : | QTY | W | H | OPTIONS |
|------------------------|--|---|---|---------|
| ARCHITECT : | | | | |
| DEALER : | | | | |
| CONTRACTOR : | | | | |
| LOCATION : | SPECIAL INSTRUCTIONS : | | | |
| DATE : | | | | |
| TAGGING INSTRUCTIONS : | SUBMITTAL APPROVAL : (signature or stamp) | | | |

Scan or Click



To view Pricing and Additional Product Info.

TELEPHONE:
1-800-483-0823
FAX:
1-888-828-6021



385 WILSON STREET EAST,
SUITE 302
ANCASTER, ON, L9G 2C1
CANADA

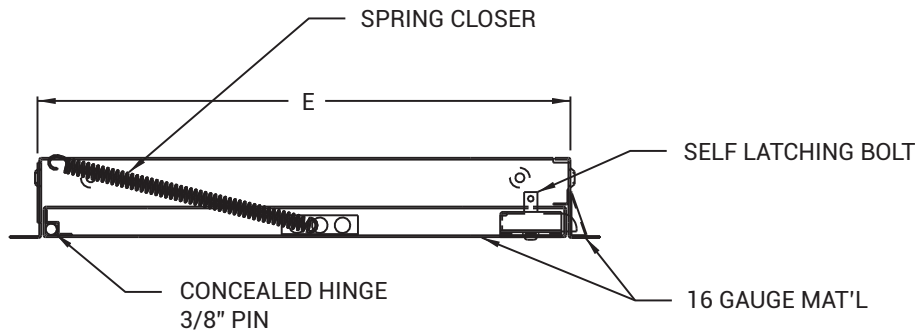


WEBSITE:
www.BestAccessDoors.ca
E-MAIL:
info@bestaccessdoors.ca

BAC-FB-5060-DW

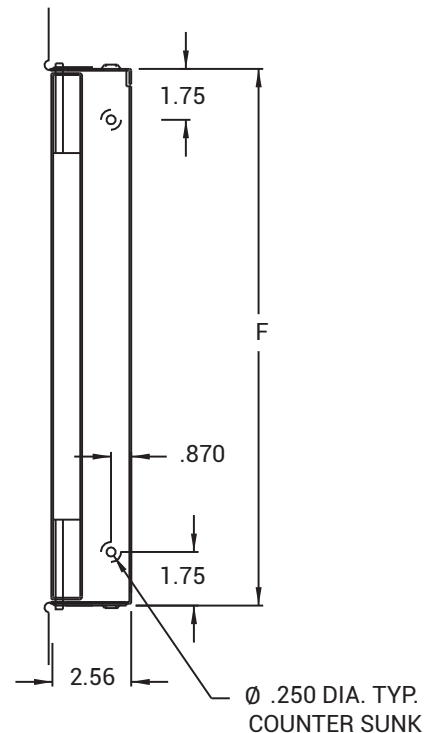
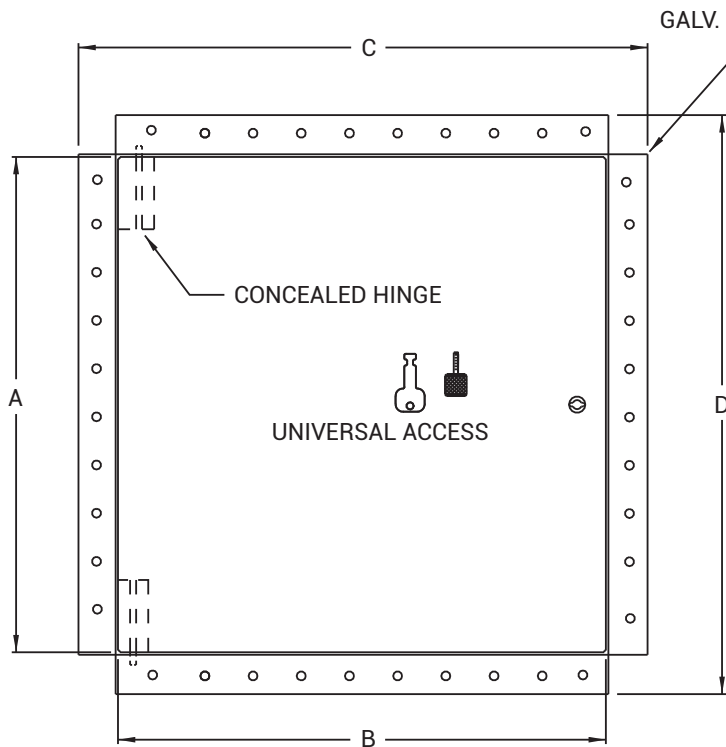
FIRE RATED - FOR WALLS

| NOMINAL DOOR SIZE | A | B | C | D | E | F | LOCK |
|---------------------|-------------|-------------|-------------|-------------|-------------|-------------|------|
| Inches (mm) | | | | | | | |
| 8 x 8 (203 x 203) | 7.78 (198) | 7.78 (198) | 10.62 (270) | 10.62 (270) | 8.12 (206) | 8.12 (206) | 1 |
| 10 x 10 (254 x 254) | 9.78 (248) | 9.78 (248) | 12.62 (321) | 12.62 (321) | 10.12 (257) | 10.12 (257) | 1 |
| 12 x 12 (305 x 305) | 11.78 (299) | 11.78 (299) | 14.62 (371) | 14.62 (371) | 12.12 (308) | 12.12 (308) | 1 |
| 14 x 14 (356 x 356) | 13.78 (350) | 13.78 (350) | 16.62 (422) | 16.62 (422) | 14.12 (359) | 14.12 (359) | 1 |
| 16 x 16 (406 x 406) | 15.78 (401) | 15.78 (401) | 18.62 (473) | 18.62 (473) | 16.12 (409) | 16.12 (409) | 1 |
| 18 x 18 (457 x 457) | 17.78 (452) | 17.78 (452) | 20.62 (524) | 20.62 (524) | 18.12 (460) | 18.12 (460) | 1 |
| 24 x 24 (610 x 610) | 23.78 (604) | 23.78 (604) | 26.62 (676) | 26.62 (676) | 24.12 (613) | 24.12 (613) | 1 |



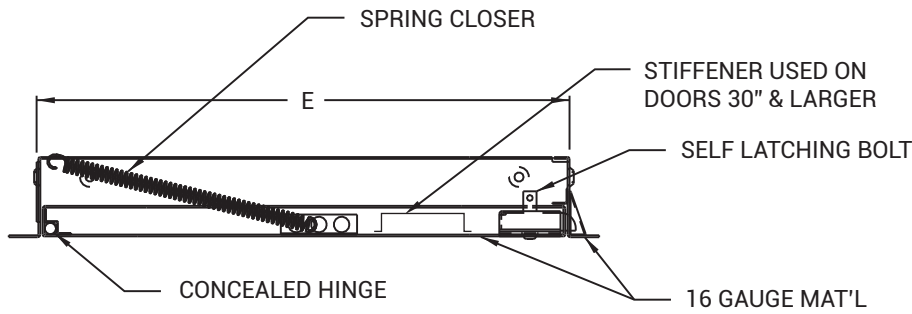
WALLS

Approved by Underwriters Laboratories (UL) for 1 1/2 hours "B" label in walls and ULC for 2 hours "B" label in walls.



BAC-FB-5060-DW FIRE RATED - FOR WALLS

| NOMINAL DOOR SIZE | A | B | C | D | E | F | LOCK |
|----------------------|--------------|-------------|-------------|--------------|-------------|--------------|------|
| Inches (mm) | | | | | | | |
| 22 x 30 (559 x 762) | 29.78 (756) | 21.78 (553) | 24.62 (625) | 32.62 (829) | 22.12 (562) | 30.12 (765) | 2 |
| 22 x 36 (559 x 914) | 35.78 (909) | 21.78 (553) | 24.62 (625) | 38.62 (981) | 22.12 (562) | 36.12 (917) | 2 |
| 24 x 36 (610 x 914) | 35.78 (909) | 23.78 (604) | 26.62 (676) | 38.62 (981) | 24.12 (613) | 36.12 (917) | 2 |
| 24 x 48 (610 x 1219) | 47.78 (1214) | 23.78 (604) | 26.62 (676) | 50.62 (1286) | 24.12 (613) | 48.12 (1222) | 2 |
| 30 x 30 (762 x 762) | 29.78 (756) | 29.78 (756) | 32.62 (829) | 32.62 (829) | 30.12 (765) | 30.12 (765) | 2 |
| 36 x 36 (914 x 914) | 35.78 (909) | 35.78 (909) | 38.62 (981) | 38.62 (981) | 36.12 (917) | 36.12 (917) | 2 |
| 36 x 48 (914 x 1220) | 47.78 (1214) | 35.78 (909) | 38.62 (981) | 50.62 (1286) | 36.12 (917) | 48.12 (1222) | 2 |



WALLS

Approved by Underwriters Laboratories (UL) for 1 1/2 hours "B" label in walls and ULC for 2 hours "B" label in walls.

