



Quality Access Doors- FAST!

# SUBMITTAL/TECHNICAL DATA SHEET

SKU: **BAG-F2-FRAME**

## DRYWALL INLAY ACCESS PANEL

WITH DETACHABLE HATCH



### DESCRIPTION

The access panel consists of a welded aluminum frame and is available with 1/2" (12.7 mm) or 5/8" (15.9 mm) inlaid drywall and two latches.

Both an outer and an inner frame assembly consists of high grade aluminum which is bonded with a special welding process.

For sizes 12" x 12" (305 mm x 305 mm) and up the access panels are equipped with a safety-system to prevent accidental opening. This safety system must be reattached if the hatch is removed.

A reveal of just 1/16" (1.59 mm) is all that is visible of the access panel that blends into a wall or ceiling.

The concealed snap locks open the access panel when pressure is applied to the spring loaded latch side.

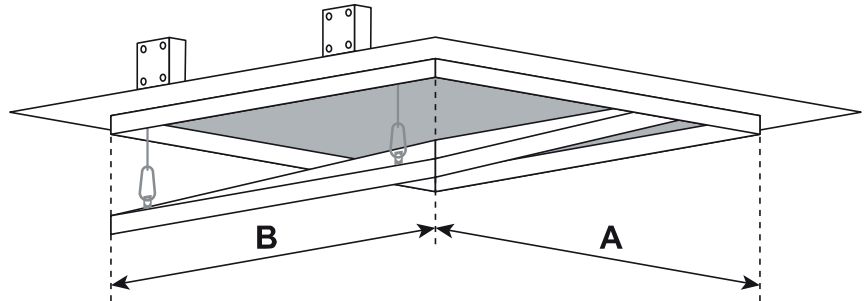
The panel door is equipped with a perimeter seal.

### ADVANTAGES

- Superior engineering & innovative design.
- Fast delivery.
- Quick and easy installation.
- Solid aluminum frame.
- Flush installation in ceilings and walls
- Available in moisture / mildew resistant green board and cement board.

### ■ DIMENSIONS AND APPEARANCE

>> [CLICK TO VIEW ADDITIONAL DETAILS AND PRICING <<](#)



Customized sizes can be produced in every dimension upon request.

Drywall insert with screws on larger sizes than 24" x 24" (610 mm x 610 mm).

#### STANDARD SIZES:

SYSTEM F2	DIMENSIONS	
	A inch   mm	B inch   mm
CODE		
A203203G127	8"   203	8"   203
A305305G127	12"   305	12"   305
A406406G127	16"   406	16"   406
A508508G127	20"   508	20"   508
A610610G127	24"   610	24"   610

#### OPTIONS:

SD	- Screwdriver operated cam latch
FS	- Screwdriver operated four-square cam latch
Z	- Round Cylinder Lock with Key
M	- Mortise Cylinder Lock Preparation
H	- Hex Head Cam Latch
P	- Pinned Hex Head Cam Latch

All standard sizes are available in 1/2" (12.7 mm) or 5/8" (15.9 mm) drywall .

For a complete list of options visit [www.BestAccessDoors.ca](http://www.BestAccessDoors.ca)

### ■ PROJECT DATA

**Custom Sizes Available - Fast!**

Scan or Click



PROJECT NAME :	QTY	W	H	OPTIONS
ARCHITECT :				
DEALER :				
CONTRACTOR :				
LOCATION :	SPECIAL INSTRUCTIONS :			
DATE :	SUBMITTAL APPROVAL : (signature or stamp)			
TAGGING INSTRUCTIONS :				

TELEPHONE:  
1-800-483-0823  
FAX:  
1-888-828-6021

385 WILSON STREET EAST,  
SUITE 302  
ANCASTER, ON, L9G 2C1  
CANADA

WEBSITE:  
[www.BestAccessDoors.ca](http://www.BestAccessDoors.ca)  
E-MAIL:  
[info@bestaccessdoors.ca](mailto:info@bestaccessdoors.ca)

To view Pricing and Additional Product Info.