



Quality Access Doors- FAST!

SUBMITTAL/TECHNICAL DATA SHEET

STANDARD OPTIONS

- MATERIAL:**
16 gauge cold rolled steel
- HINGE:**
Continuous piano hinge
- LOCK / LATCH:**
Self latching tool-key operated latch and/or ring operated latch, both included
- INSIDE PANEL RELEASE:**
Standard on all doors
- AUTOMATIC PANEL CLOSER:**
Standard on all doors
- FINISH:**
High quality white powder coat primer
- PACKAGING:**
Individually wrapped, 1 per box

OPTIONS AVAILABLE

- LOCK / LATCH:**
- Key operated cylinder cam latch
 - Mortise deadbolt lock
 - Handle operated slam latch
 - Mortise preparation for cylinder (Cylinder optional)
- MATERIAL:**
Stainless steel 304 #4 (brushed finish)
- GASKETING:**
Neoprene gasket

For a complete list of options visit www.BestAccessDoors.ca

Scan or Click



To view Pricing and Additional Product Info.

LEED READY: THIS PRODUCT CONTRIBUTES TO LEED® CREDITS



SKU: **BAC-DRD**

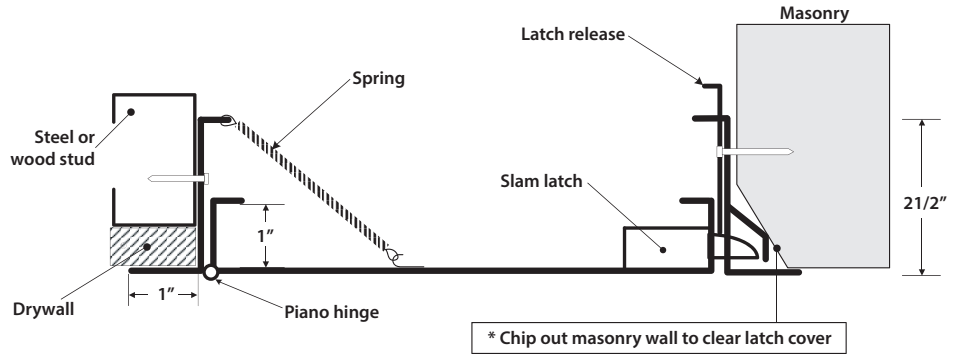
DRAFT STOP ACCESS DOOR

FOR ATTIC APPLICATION



INSTALLATION

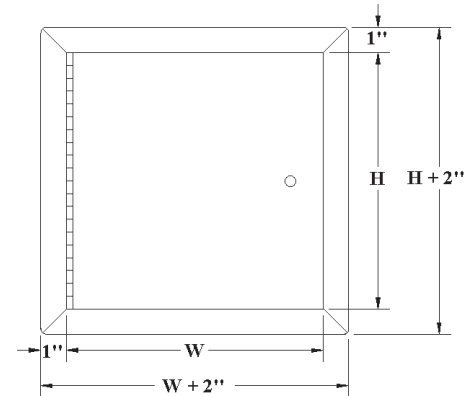
>> [CLICK TO VIEW ADDITIONAL DETAILS AND PRICING <<](#)



DIMENSIONS AND APPEARANCE

DOOR SIZE W x H inches (MM)	NUMBER OF LOCKS	WEIGHT	
		LBS	KG
22 x 30 (558 x 762)	1	22	10
22 x 36 (558 x 914)	2	24	10.9
24 x 36 (609 x 914)	2	29	12.2
24 x 48 (609 x 1219)	2	37	16.8
24 x 60 (609 x 1524)	2	44	20
30 x 30 (762 x 762)	1	30	13.6
36 x 36 (914 x 914)	2	39	17.7
36 x 48 (914 x 1219)	2	39	22.2

Rough wall opening door size + 1/4" or +6mm



PROJECT DATA

Custom Sizes Available - Fast!

PROJECT NAME :	QTY	W	H	OPTIONS
ARCHITECT :				
DEALER :				
CONTRACTOR :				
LOCATION :	SPECIAL INSTRUCTIONS :			
DATE :	SUBMITTAL APPROVAL : (signature or stamp)			
TAGGING INSTRUCTIONS :				

TELEPHONE:
1-800-483-0823

FAX:
1-888-828-6021

385 WILSON STREET EAST,
SUITE 302
ANCASTER, ON, L9G 2C1
CANADA

WEBSITE:
www.BestAccessDoors.ca

E-MAIL:
info@bestaccessdoors.ca

